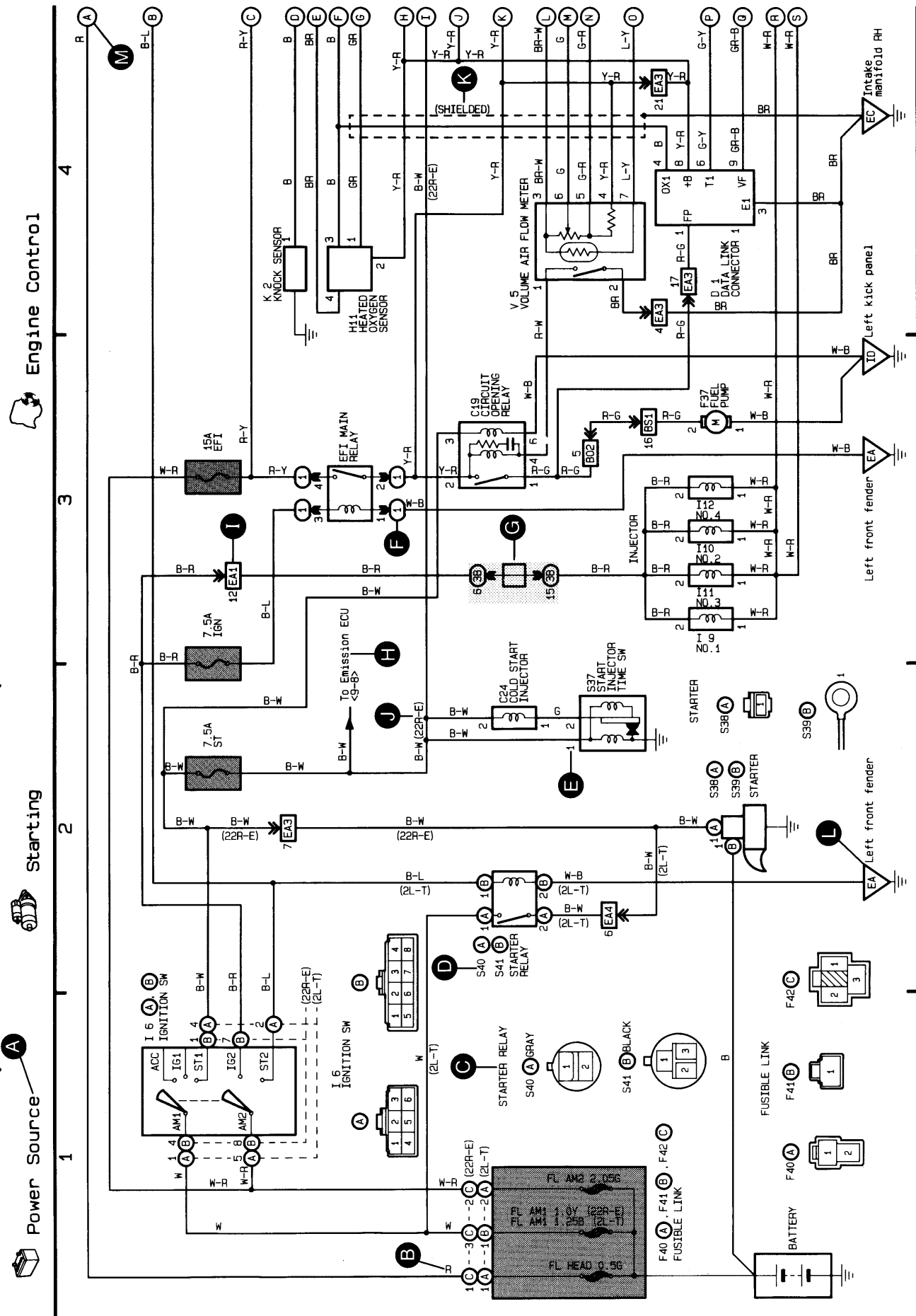


HOW TO READ THIS SECTION

* The system shown here is an EXAMPLE ONLY. It is different to the actual circuit shown in the wiring diagram section.

K OVERALL ELECTRICAL WIRING DIAGRAM



Power Source

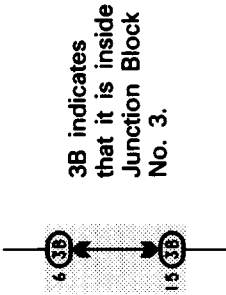


Starting



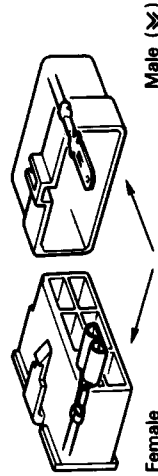
Engine Control

G: Junction Block (The number in the circle is the J/B No. and the connector code is shown beside it). Junction Blocks are shaded to clearly separate them from other parts (different junction blocks are shaded differently for further clarification).



Example:

H: Indicates related system.
I: Indicates the wiring harness and wiring harness connector. The wiring harness with male terminal is shown with arrows (↗).



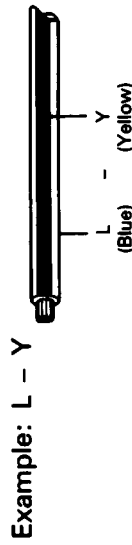
J: () is used to indicate different wiring and connector, etc. when the vehicle model, engine type, or specification is different.
K: Indicates a shielded cable.



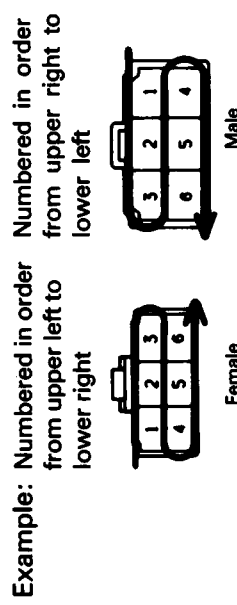
L: Indicates and located on ground point.
M: The same code occurring on the next page indicates that the wire harness is continuous.

A: System Title
B: Indicates the wiring color.

Wire colors are indicated by an alphabetical code.
 B = Black L = Blue R = Red
 BR = Brown LG = Light Green V = Violet
 G = Green O = Orange W = White
 GR = Gray P = Pink Y = Yellow
 The first letter indicates the basic wire color and the second letter indicates the color of the stripe.



C: Indicates the connector to be connected to a part (the numeral indicates the pin No.)
D: The position of the parts is the same as shown in the wiring diagram and wire routing.
E: Indicates the pin number of the connector. The numbering system is different for female and male connectors.














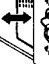




















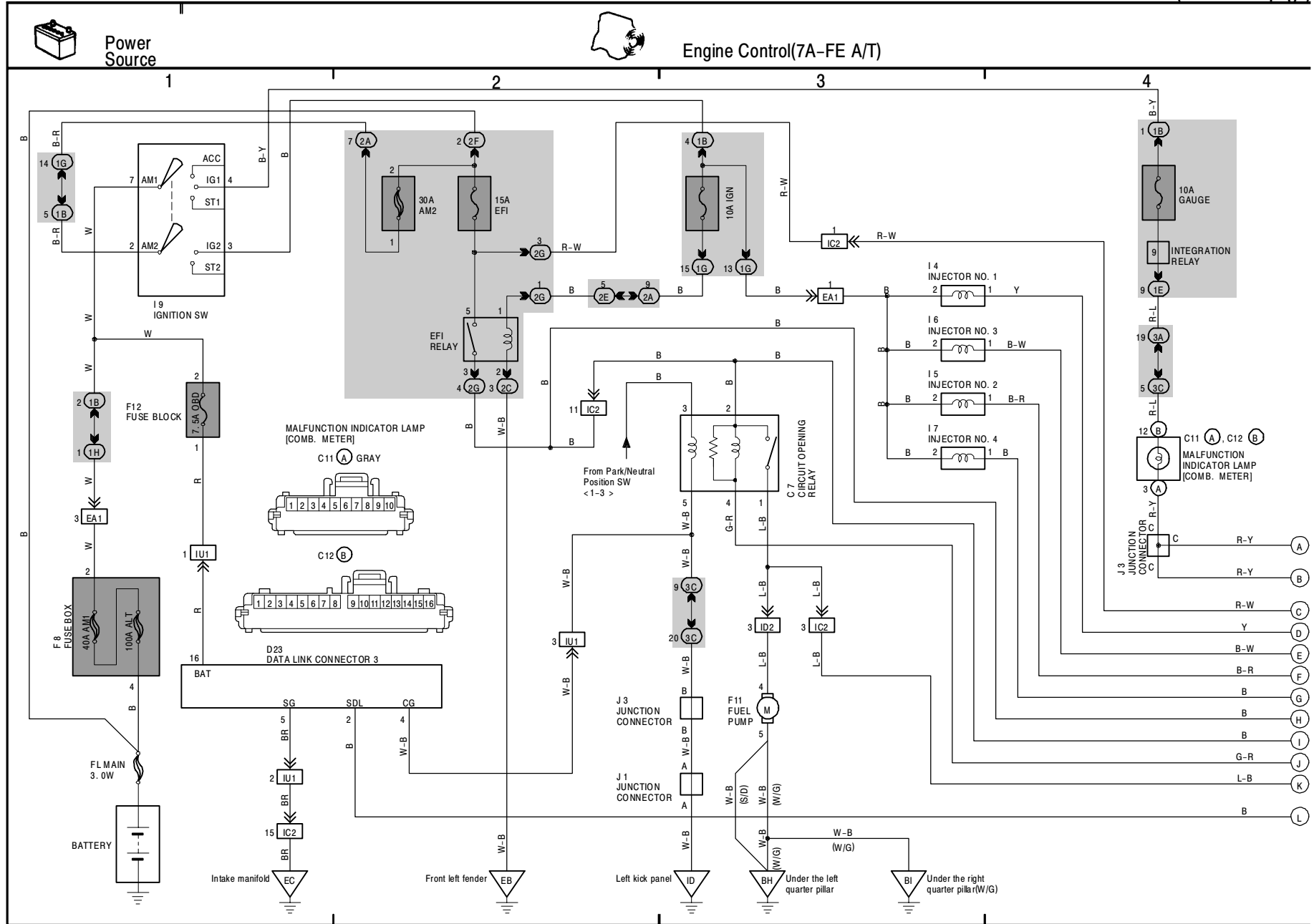
The numbering system for the overall wiring diagram is the same as above.
F: Indicates a Relay Block. No shading is used and only the Relay Block No. is shown to distinguish it from the J/B.
 Example: **1** Indicates Relay Block No. 1.

K OVERALL ELECTRICAL WIRING DIAGRAM

SYSTEM INDEX

1996 Model (Location No. 1 to 24)

SYSTEMS	LOCATION	SYSTEMS	LOCATION	SYSTEMS	LOCATION
ABS	 20-2	Horn	 12-4	Sun Roof	 17-3
Air Conditioning	 24-4	Ignition	 13-2	Taillight and Illumination	 10-2
Back Door Lock Control (W/G w/o Power Window)	 8-4	Interior Light	 11-3	Theft Deterrent and Door Lock Control	 18-2
Back-Up Light	 9-2	Power Source	 1-24-1	Turn Signal and Hazard Warning Light	 12-2
Charging	 1-4	Power Window	 15-2	Unlock and Seat Belt Warning	 13-3
Cigarette Lighter	 22-2	Radiator Fan	 24-2	Wiper and Washer	 16-2
Clock	 22-2	Radio and Player	 22-3		
Combination Meter	 23-2	Rear Window Defogger	 11-2		
Cruise Control	 21-2	Remote Control Mirror	 17-2		
Door Lock Control (w/o Theft Deterrent System)	 19-2	Shift Lock	 14-2		
Electronically Controlled Transmission	 6-2	SRS	 14-3		
Engine Control	 2-2 (7A-FE A/T) 3-2 (7A-FE M/T) 4-2 (4A-FE A/T) 5-2 (4A-FE M/T)	Starting	 1-2		
Headlight	 7-2 (w/ Daytime Running Light) 8-2 (w/o Daytime Running Light)	Stop Light	 9-3		

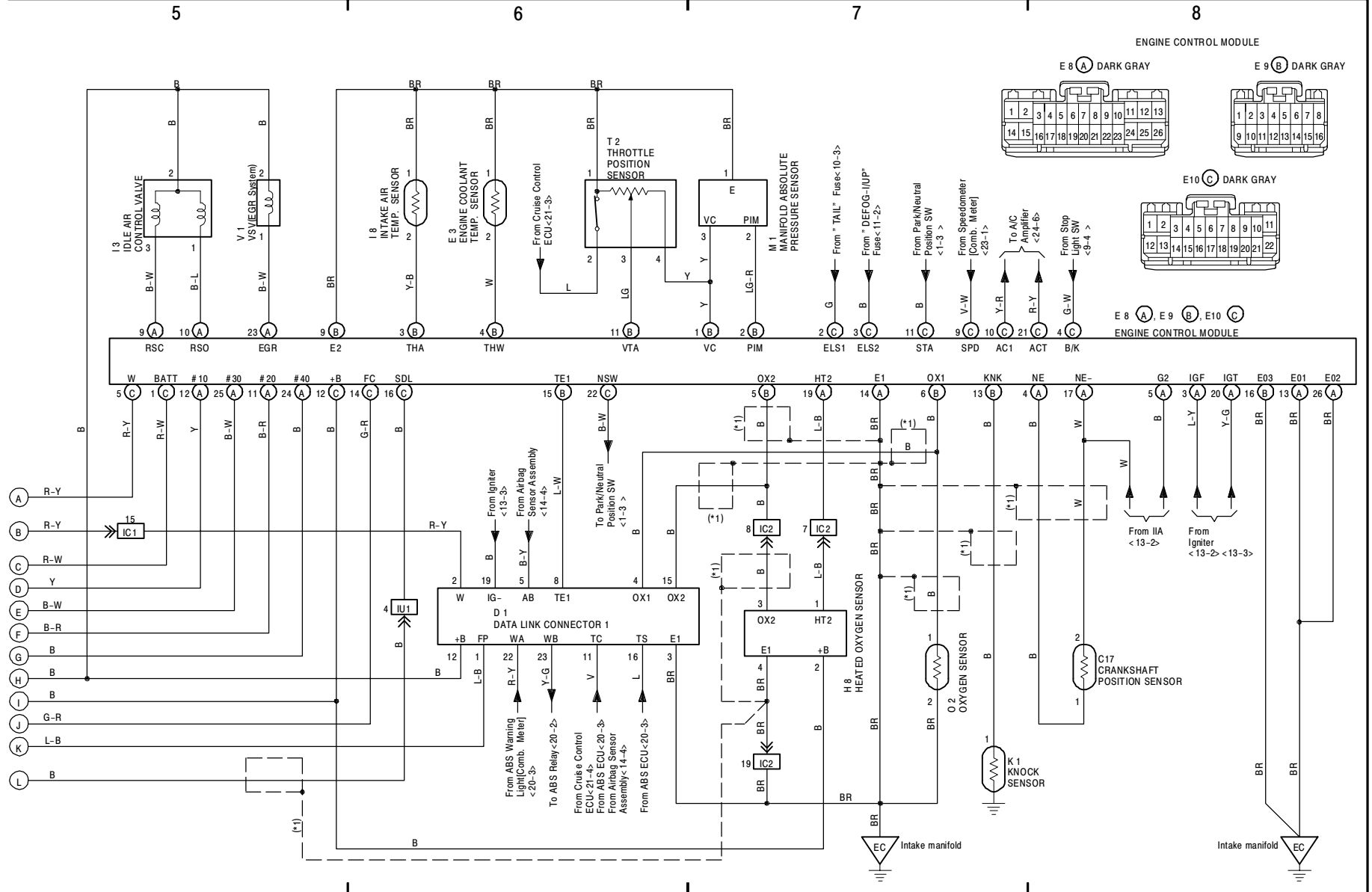


2 COROLLA(Cont' d)



Engine Control(7A-FE A/T)

*1: Shielded

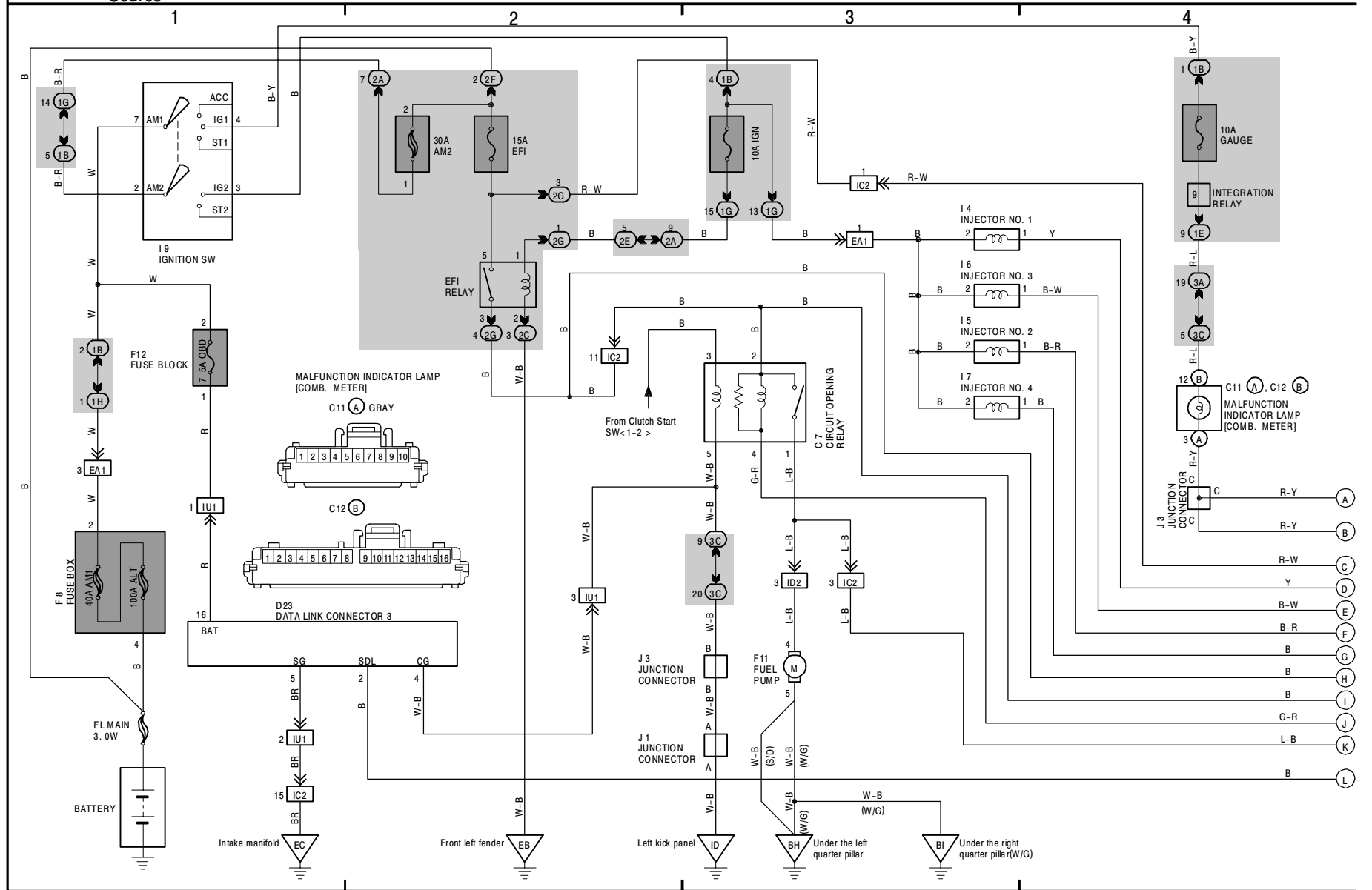




Power Source



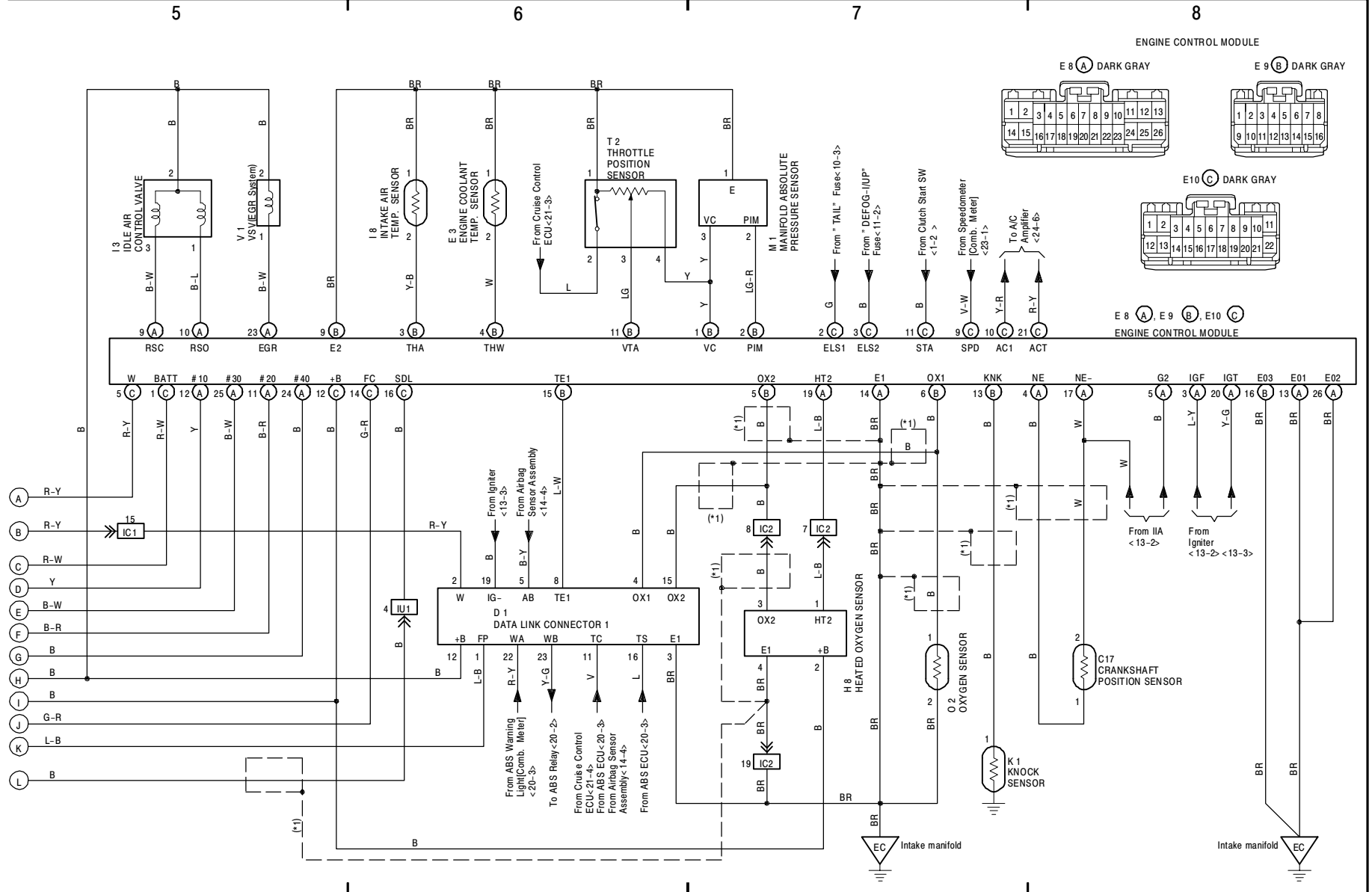
Engine Control(7A-FE M/T)



3 COROLLA(Cont' d)



Engine Control(7A-FE M/T)

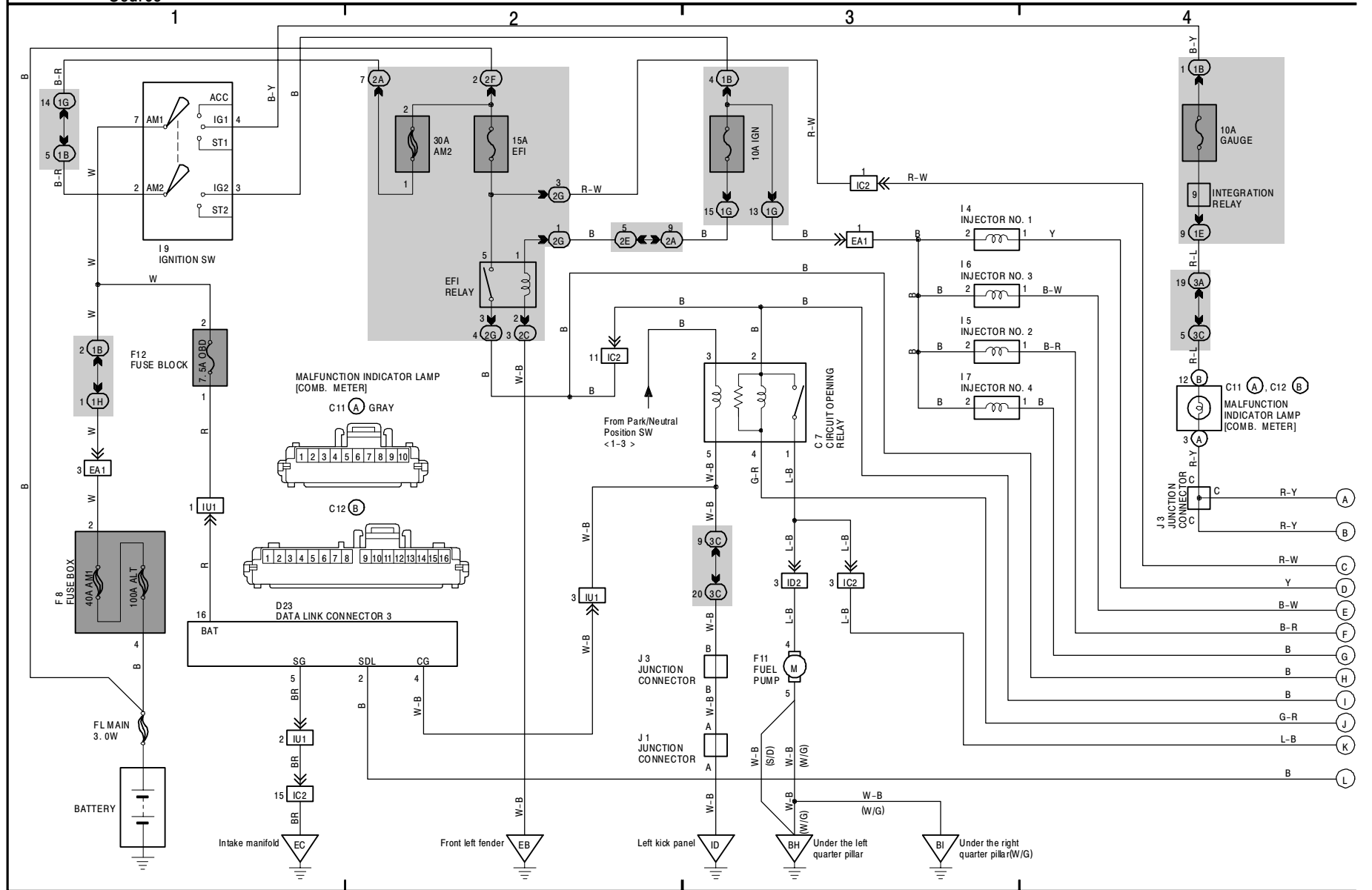




Power Source



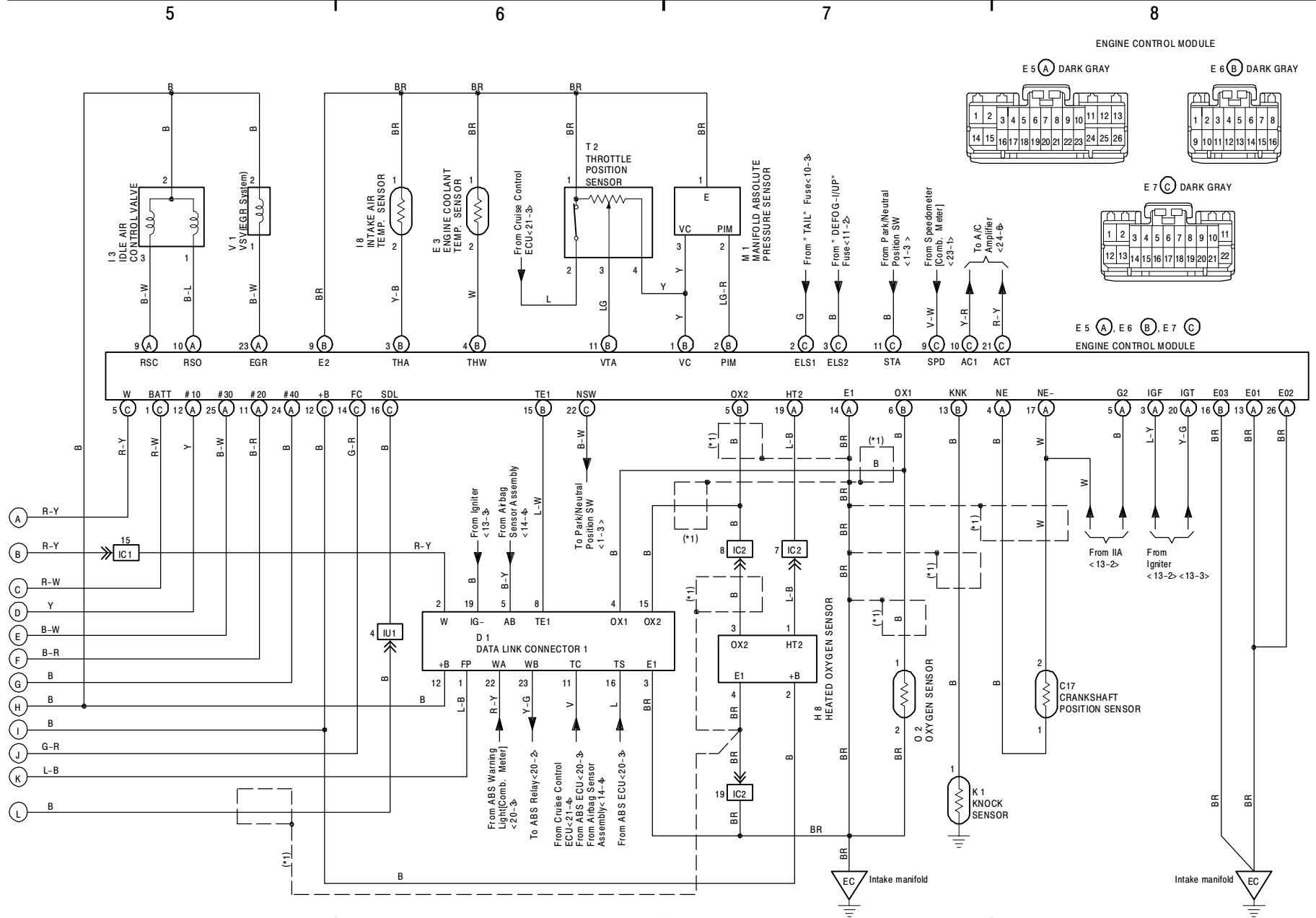
Engine Control(4A-FE A/T)





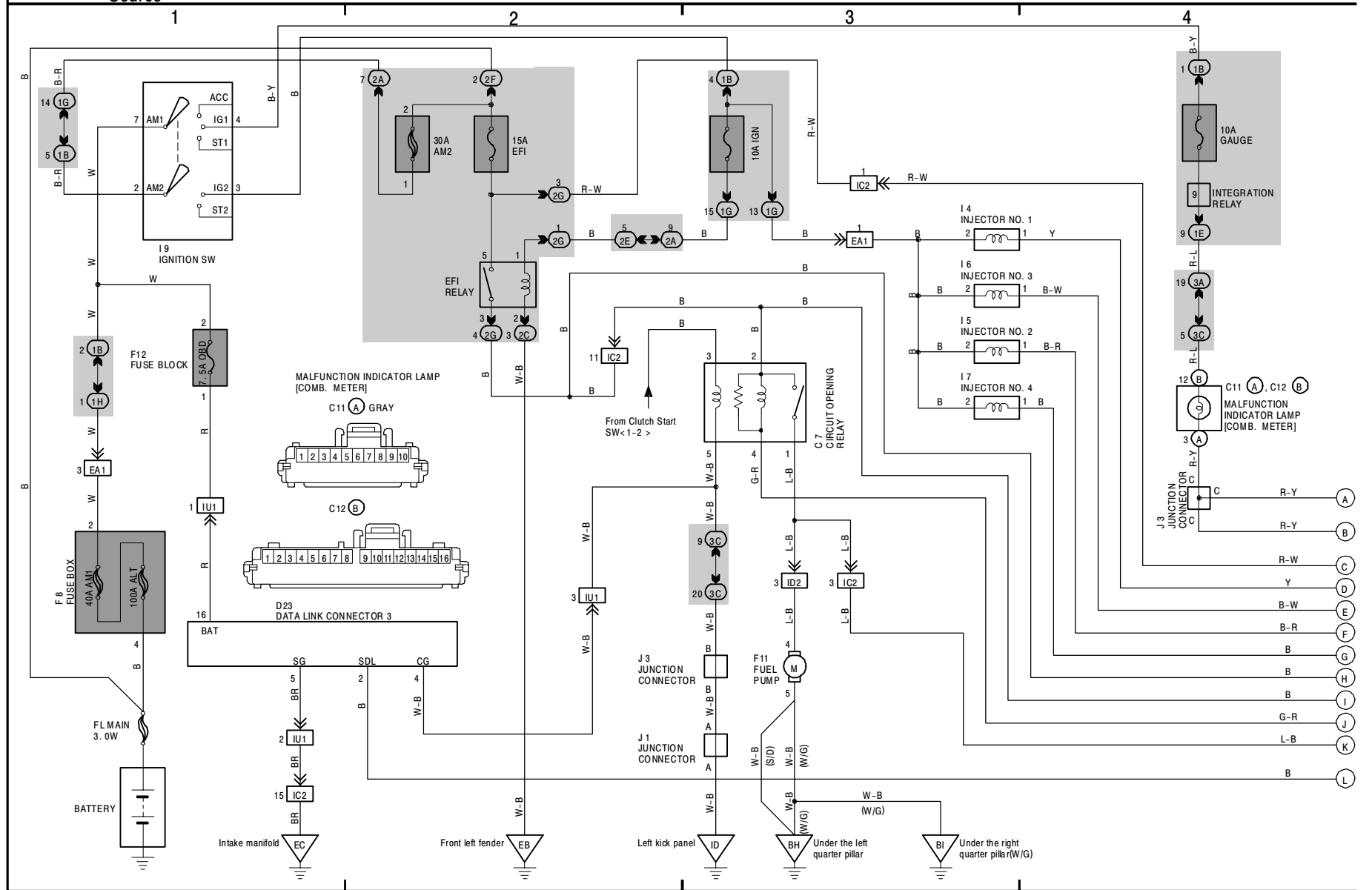
Engine Control(4A-FE A/T)

*1 : Shielded

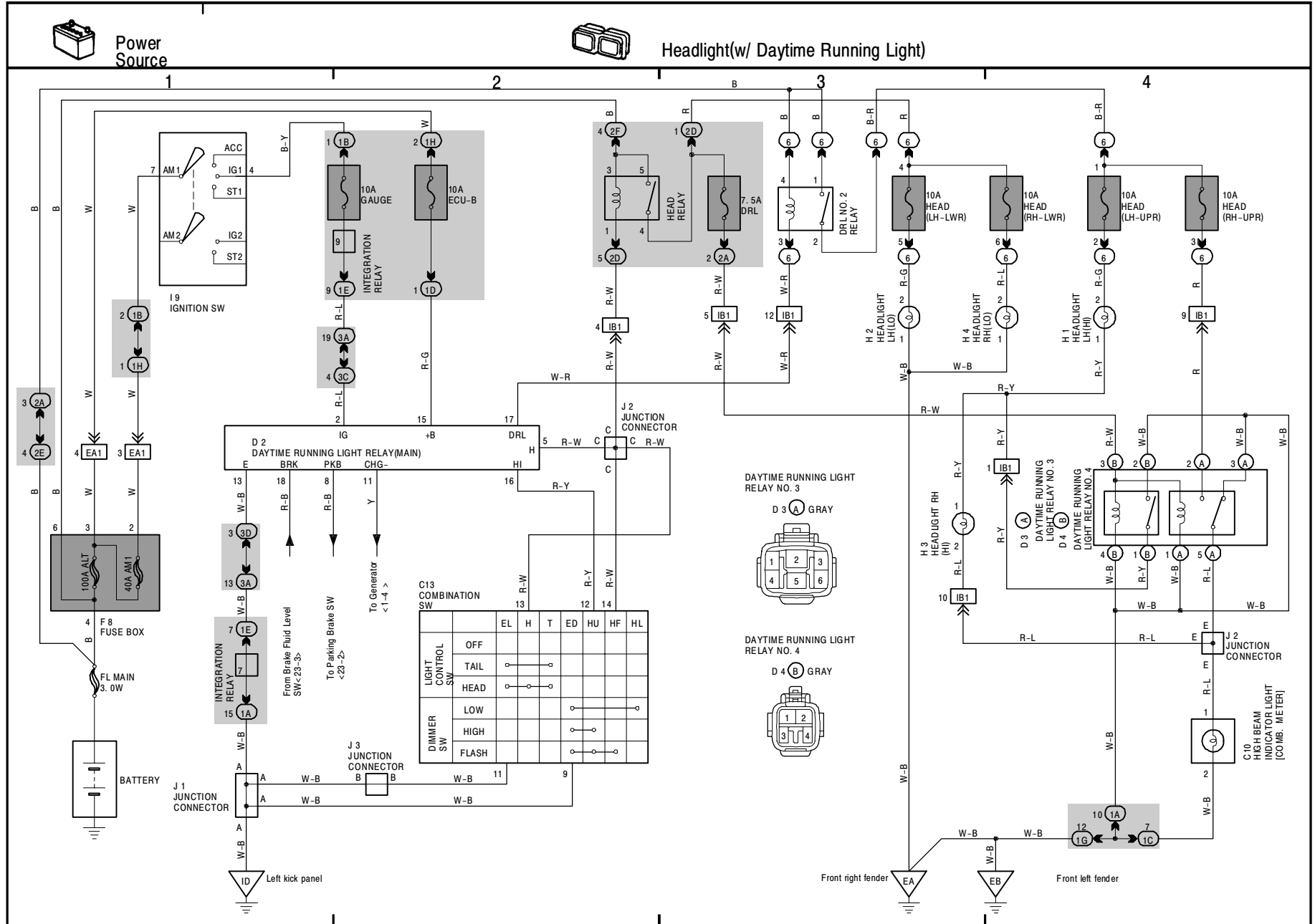


Power Source

Engine Control(4A-FE M/T)

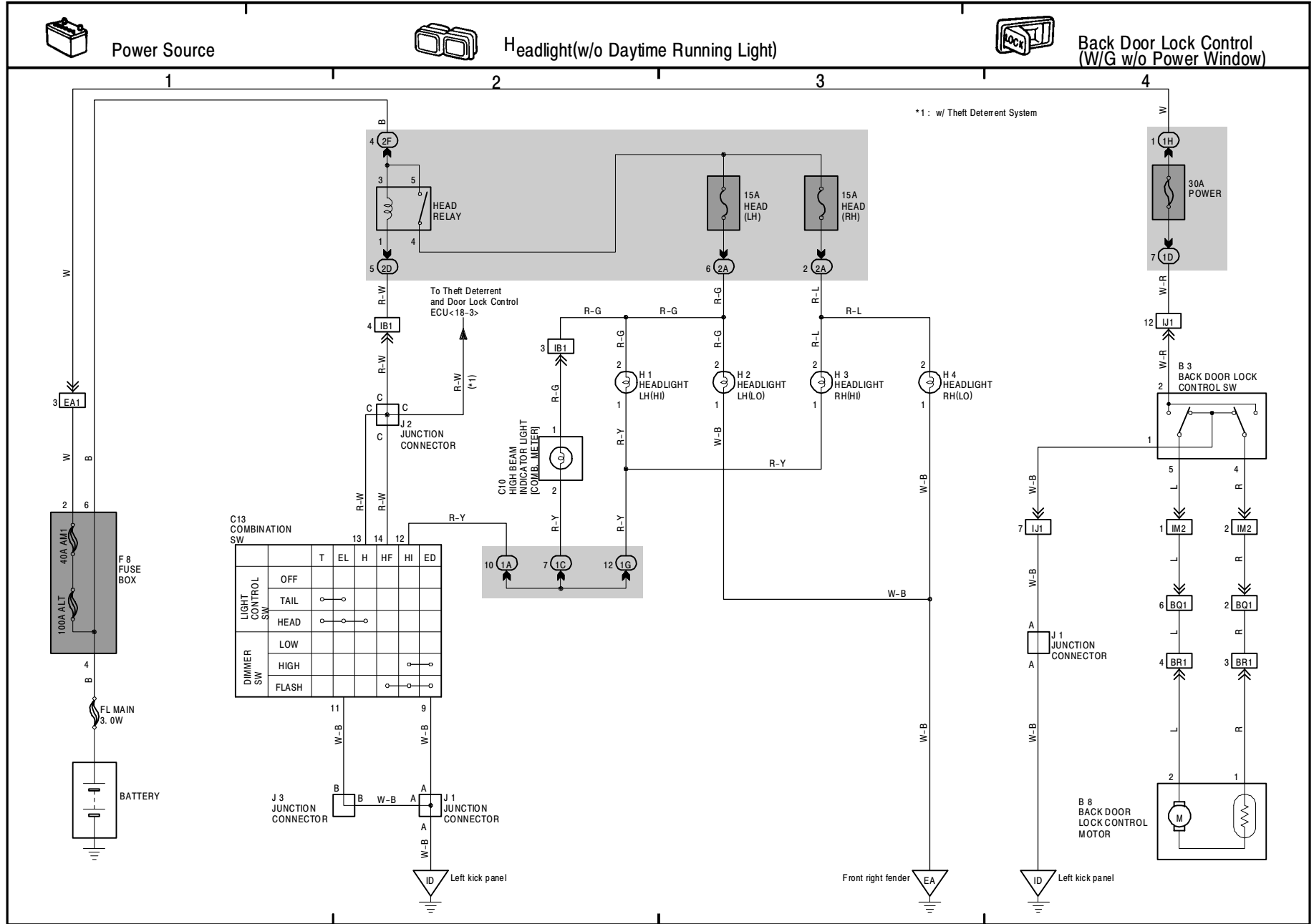


7 COROLLA

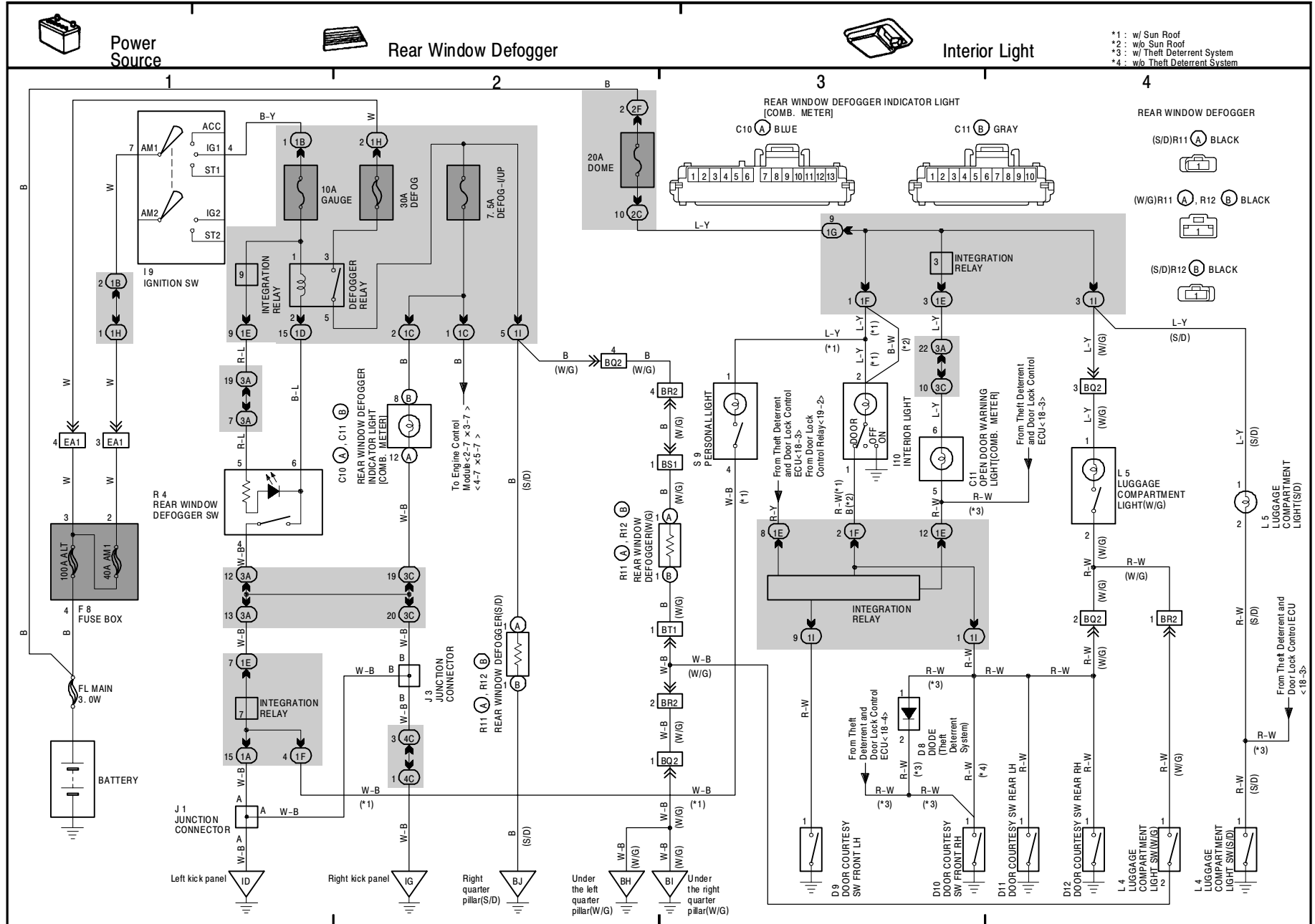


8 COROLLA

K OVERALL ELECTRICAL WIRING DIAGRAM

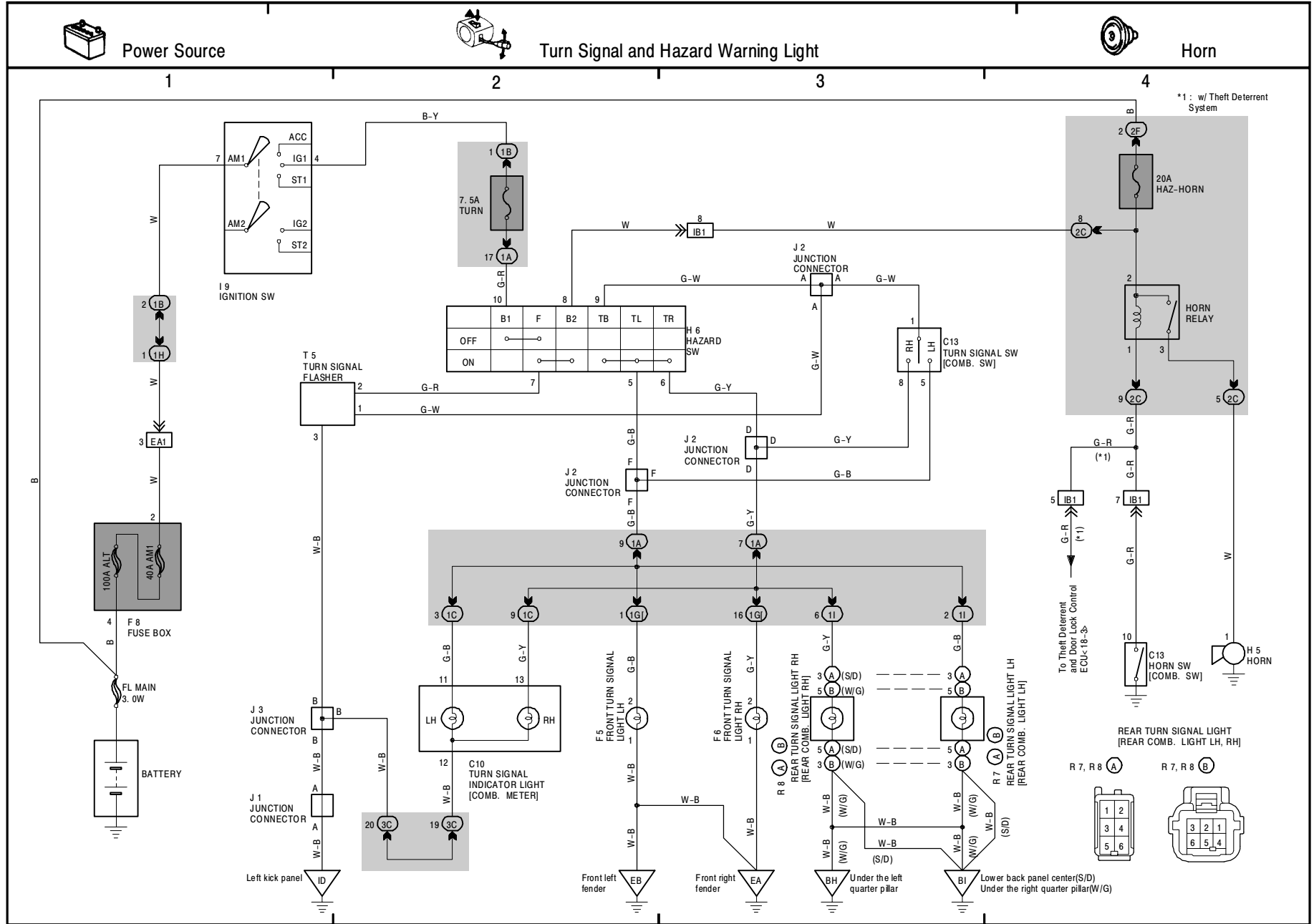


11 COROLLA



12 COROLLA

K OVERALL ELECTRICAL WIRING DIAGRAM



13 COROLLA



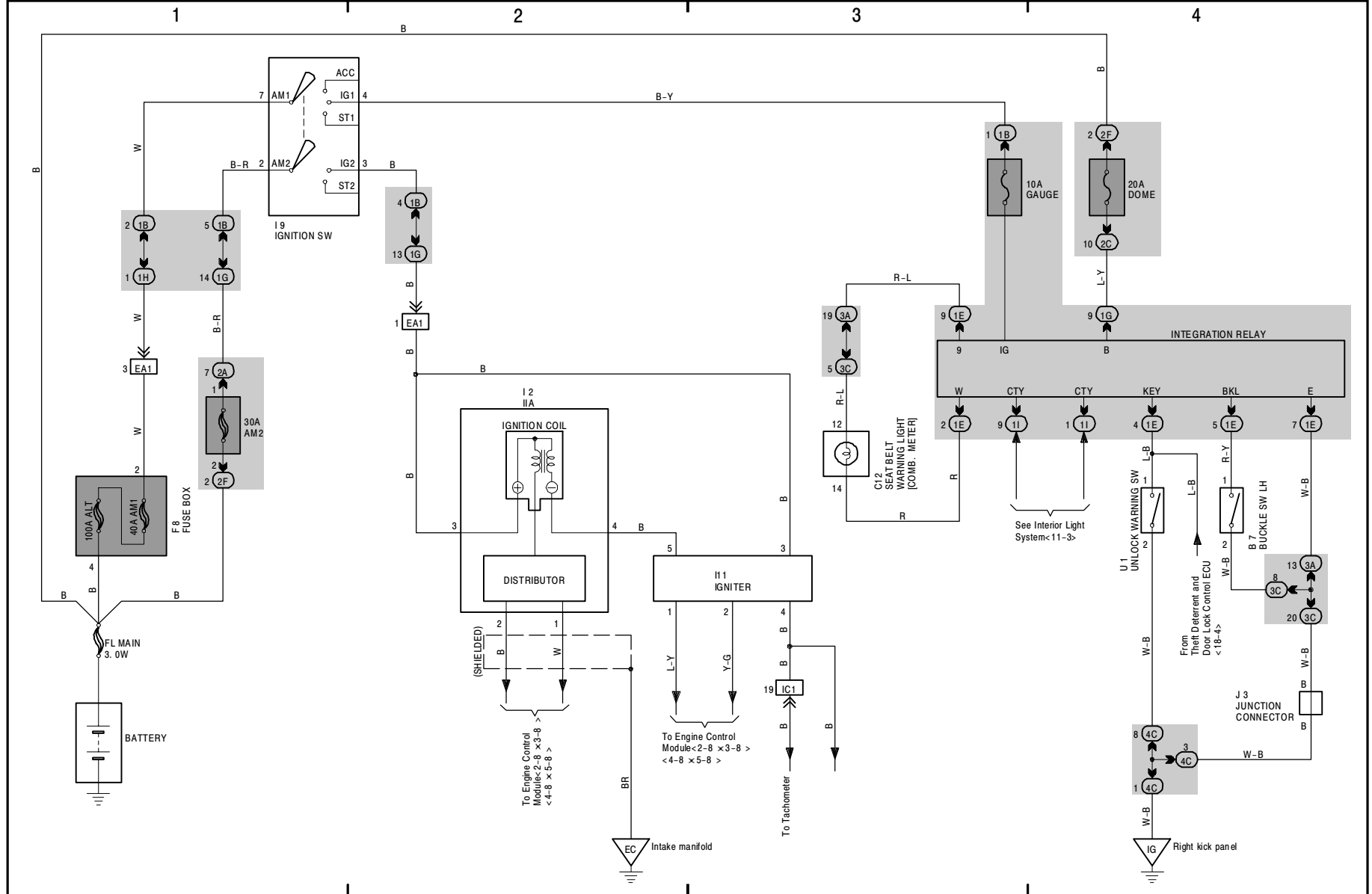
Power Source



Ignition

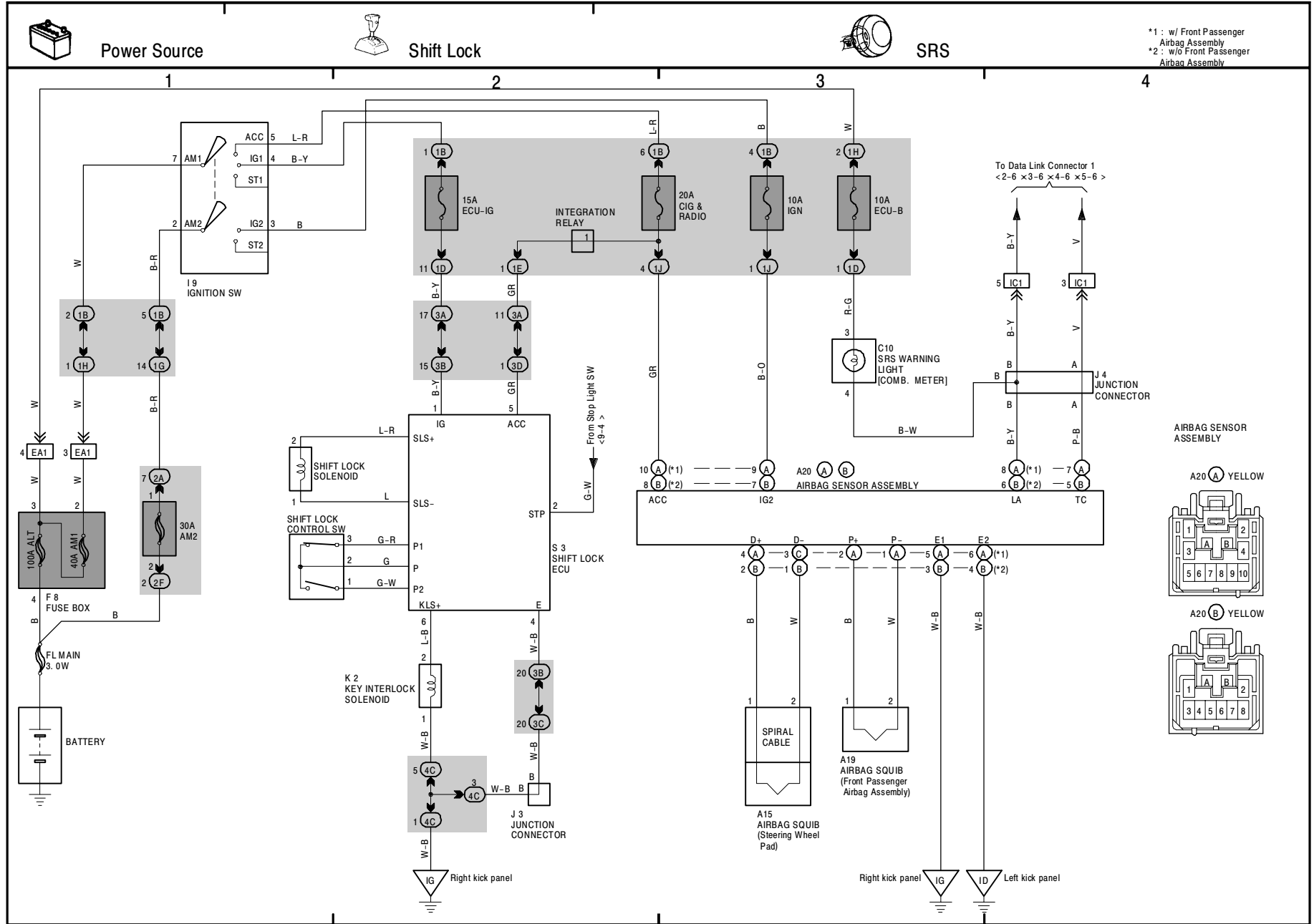


Unlock and Seat Belt Warning



14 COROLLA

K OVERALL ELECTRICAL WIRING DIAGRAM



15 COROLLA

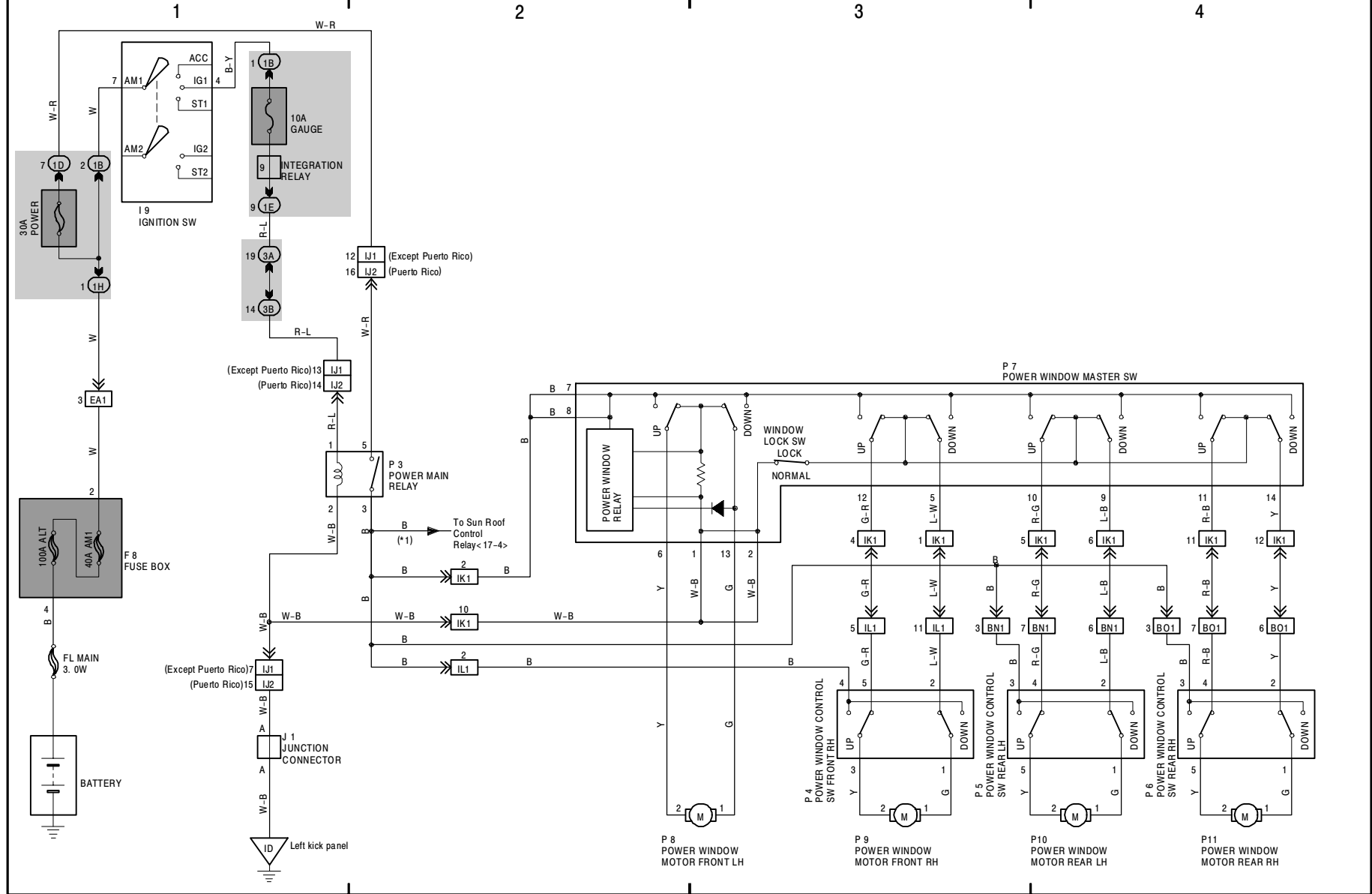


Power Source

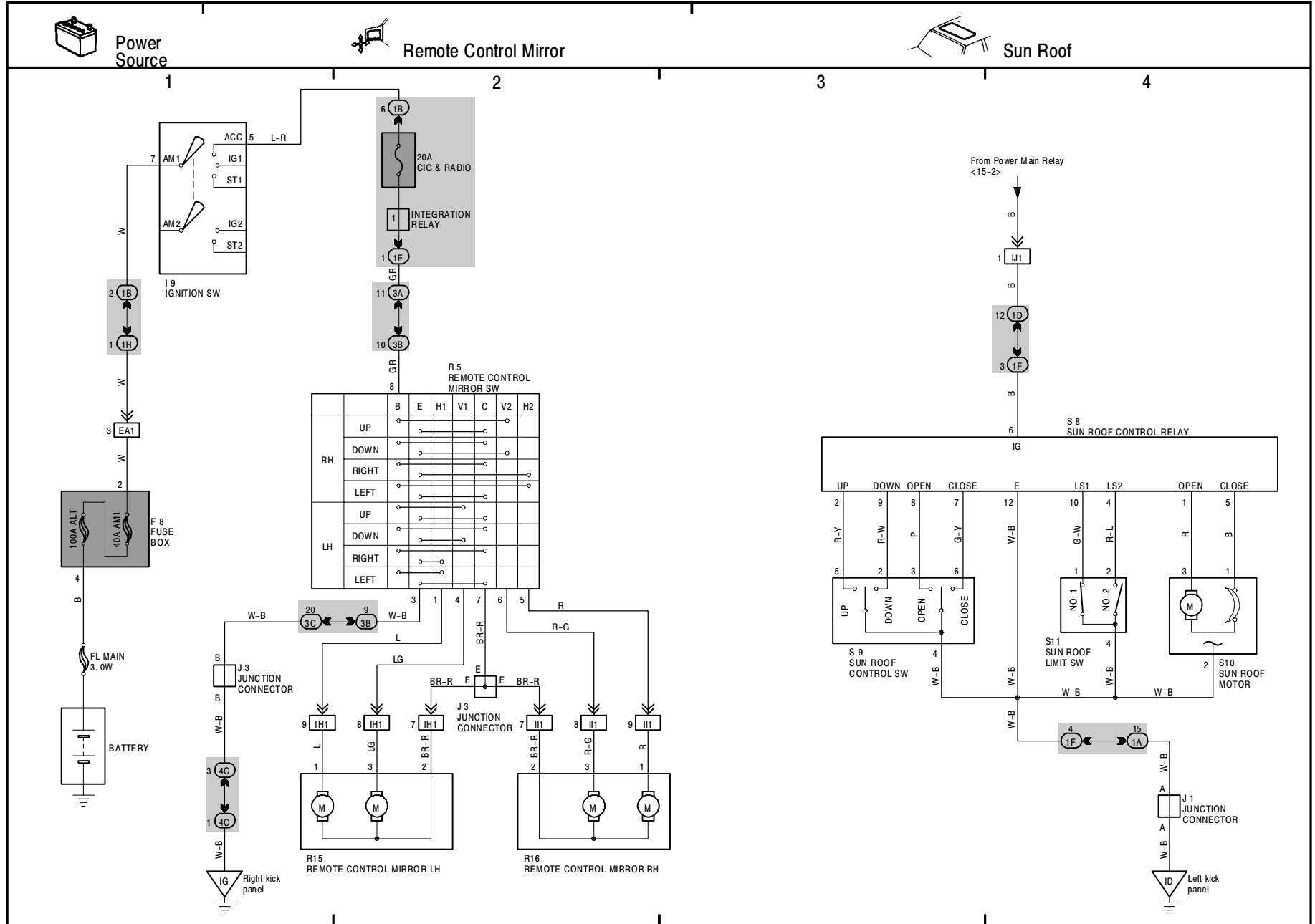


Power Window

*1 : w/ Sun Roof



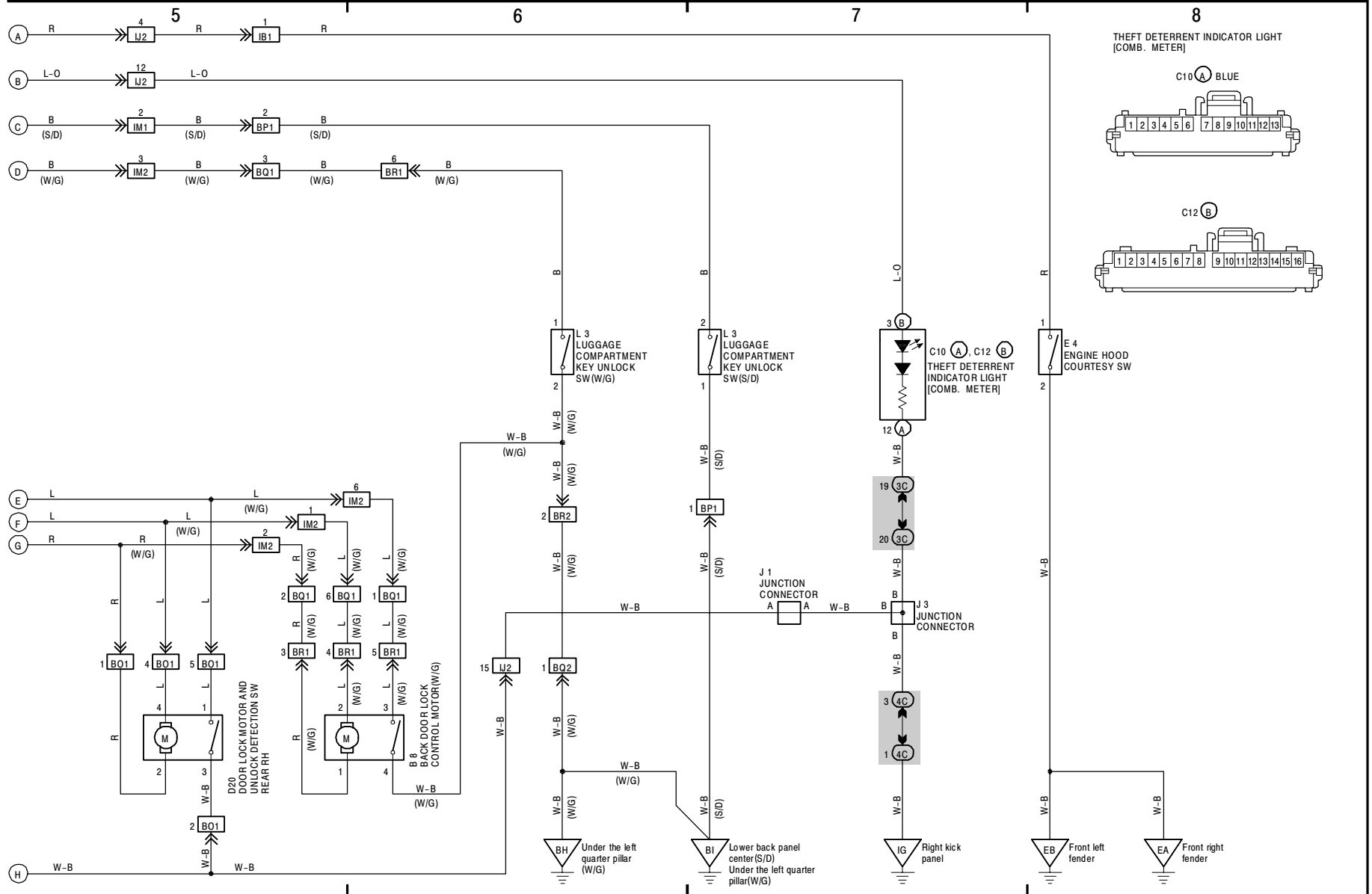
17 COROLLA

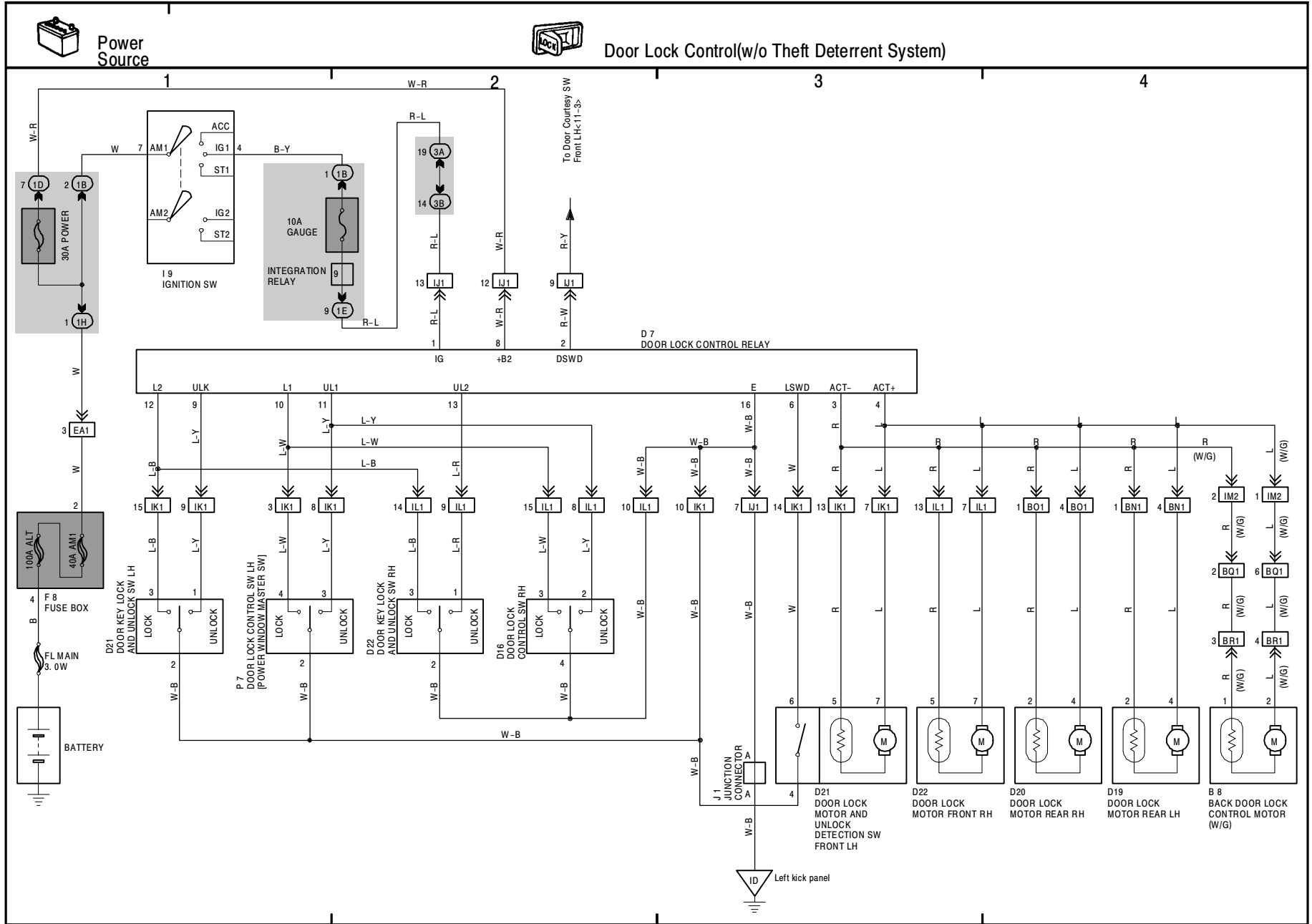


18 COROLLA(Cont' d)

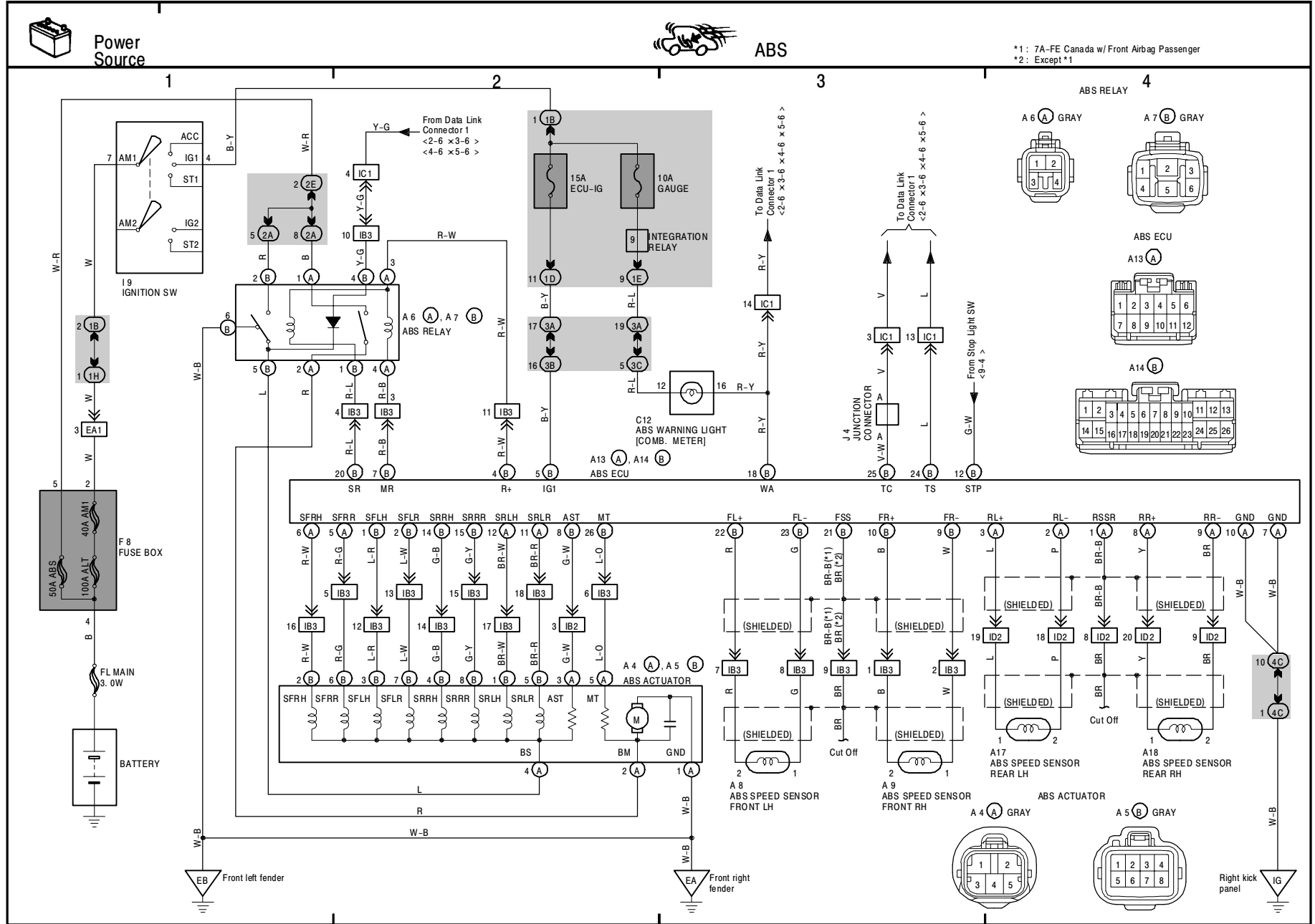


Theft Deterrent and Door Lock Control



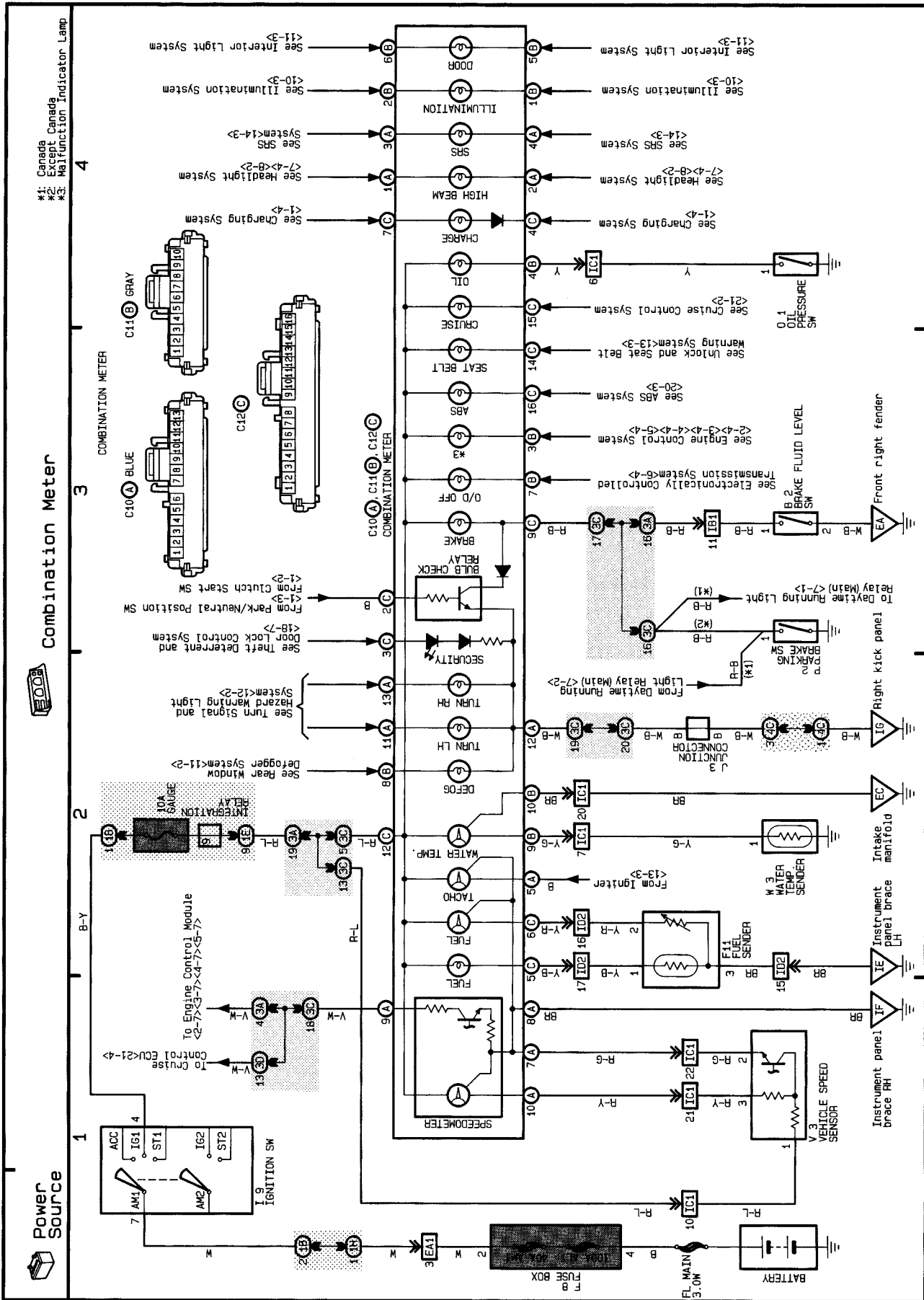


20 COROLLA



K OVERALL ELECTRICAL WIRING DIAGRAM

23 COROLLA



*1: Canada
*2: Except Canada
*3: Malfunction Indicator Lamp



Air Conditioning

