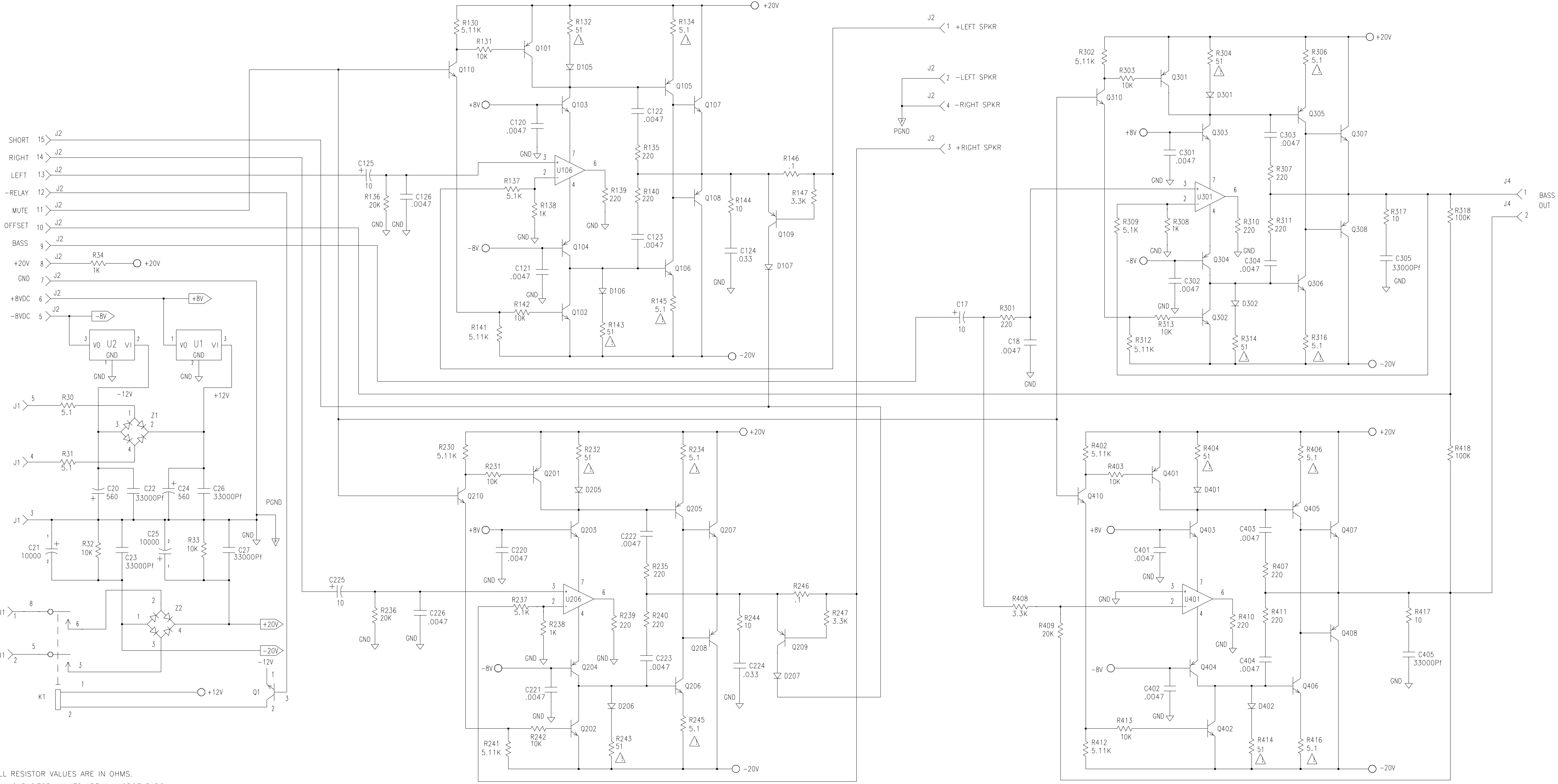


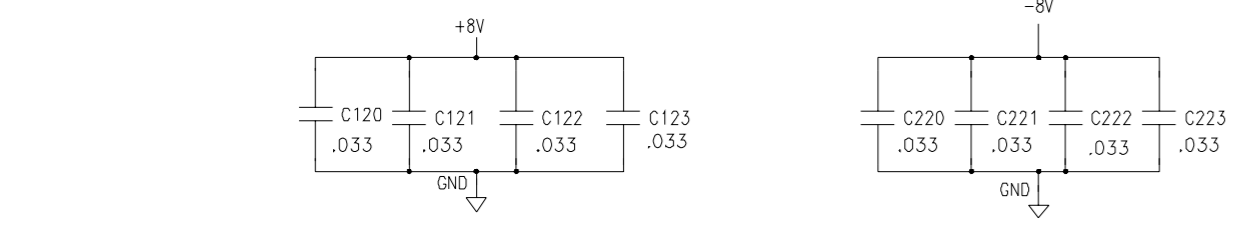
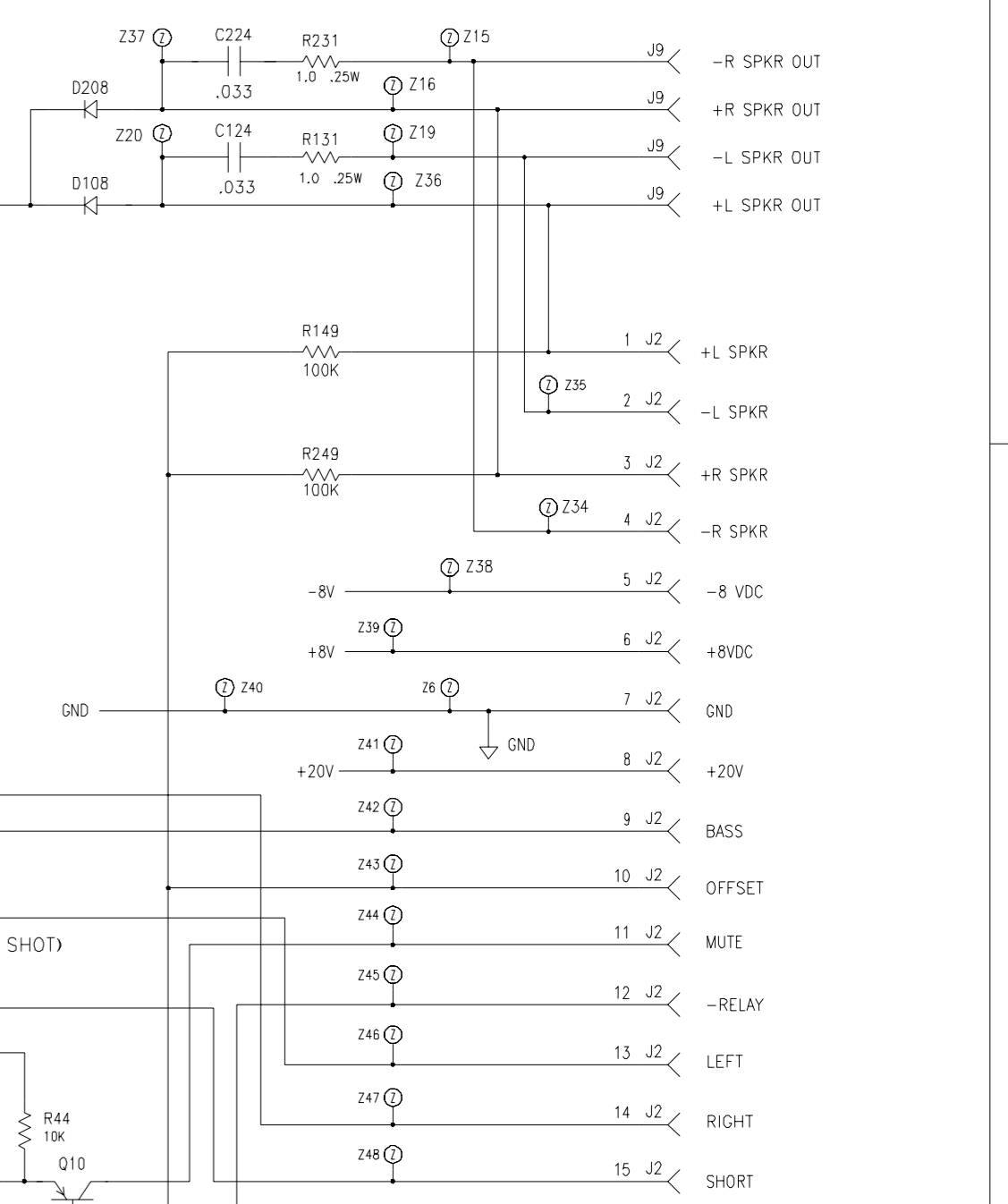
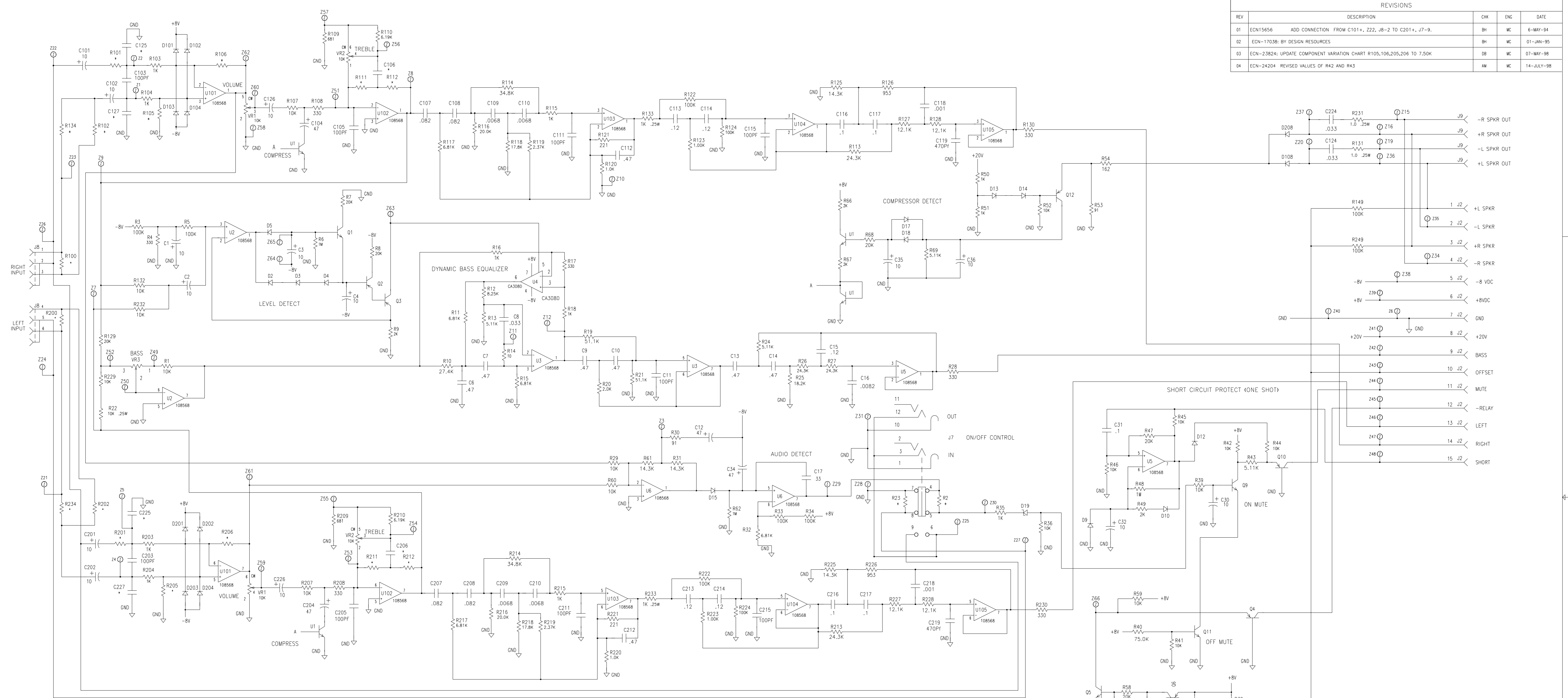
CLASS	DWG NO.	SR	REVISIONS		
SD	174469	1	REV	DESCRIPTION	CHK
			01	REVISED PER ECH24204.	AM
					ENG
					DATE
					14-JULY-98



- NOTE:
1. ALL RESISTOR VALUES ARE IN OHMS.
ALL CAPACITOR VALUES ARE IN MICROFARADS.
 2. ALL DIODES ARE 1N4148 AXIAL.
 3. UNLESS OTHERWISE MARKED, ALL RESISTORS ARE SURFACE MOUNT, 1/8W.
ALL UNPOLARIZED CAPACITORS ARE SURFACE MOUNT.
 4. RESISTORS MARKED WITH Δ INDICATE FUSING TYPE, 1/4W LEADED. REPLACE ONLY WITH THE SAME TYPE.

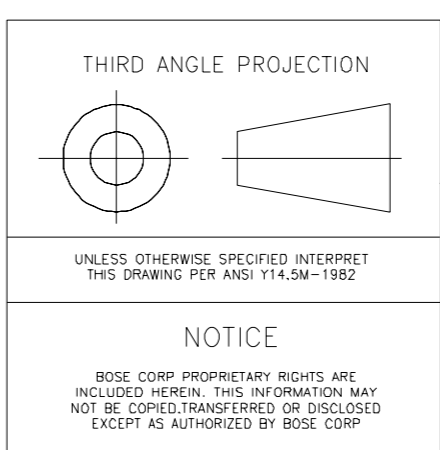
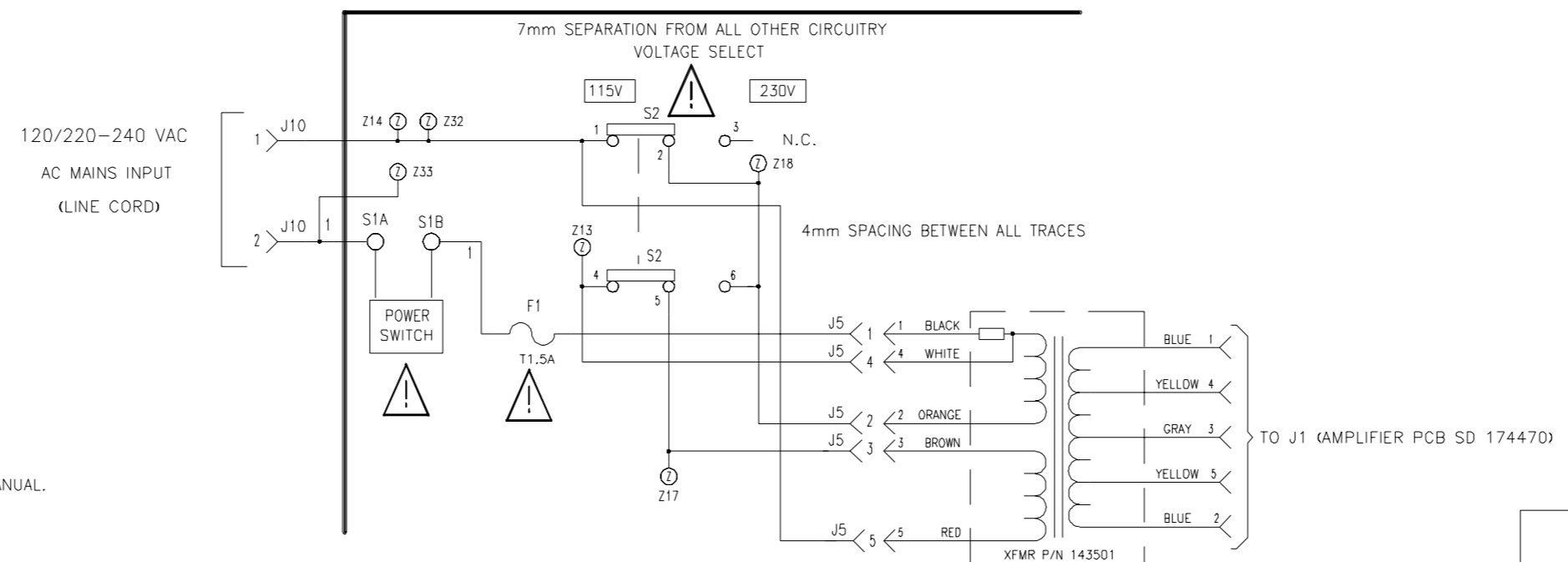
THIRD ANGLE PROJECTION 	LEVEL	DRAFTER	DATE	BOSE FRAMINGHAM, MA 01701-9168
	3	CHECKER	07/20/93	
UNLESS OTHERWISE SPECIFIED INTERPRET THIS DRAWING PER ANSI Y14.5M-1982	2	ENGINEER	07/20/93	TITLE
NOTICE BOSE CORP. PROPRIETARY RIGHTS ARE INCLUDED HEREIN. THIS INFORMATION MAY NOT BE COPIED, TRANSMITTED OR DISCLOSED EXCEPT AS AUTHORIZED BY BOSE CORP.	1	REL TO PROD PER	AT REV	SCHMATIC, AM-3P AMPLIFIER
				SIZE
				D
				FSCM
				32108
				CLASS
				SD
				DWG NO.
				174469
				REV
				01
				SCALE
				CAT. CODE
				SHEET 1 OF 1

CLASS	DWG NO.	SR	REVISIONS				
SD	177001	1	REV	DESCRIPTION	CHK	ENG	DATE
			01	ECH15656 ADD CONNECTION FROM C101+, Z22, J8-2 TO C201+, J7-9.	BH	MC	6-MAY-94
			02	EON-17038: BY DESIGN RESOURCES	BH	MC	01-JAN-95
			03	EON-23824: UPDATE COMPONENT VARIATION CHART R105,106,205,206 TO 7.50K	DB	MC	07-MAY-98
			04	EON-24204 REVISED VALUES OF R42 AND R43	AM	MC	14-JULY-98



- NOTES
- UNLESS OTHERWISE SPECIFIED:
ALL RESISTORS VALUES ARE IN OHMS.
ALL RESISTORS ARE 1/8W SURFACE MOUNT CHIP.
ALL CAPACITOR VALUES ARE IN MICROFARADS.
ALL DIODES ARE LEADED, AXIAL.
 - 8V CONNECTS TO THE FOLLOWING PINS:
U2-4,U3-4,U4-4,U5-4,U6-4,U101-4
U102-4,U103-4,U104-4,U105-4.
 - +8V CONNECTS TO THE FOLLOWING PINS:
U2-8,U3-8,U4-7,U5-8,U6-8,U101-8
U102-8,U103-8,U104-8,U105-8.
 - COMPONENTS MARKED WITH AN * ARE DEFINED IN THE COMPONENT VARIATION CHART.
 - THE SYMBOL INDICATES A CRITICAL COMPONENT.
USE ONLY REPLACEMENT PARTS RECOMMENDED IN THE SERVICE MANUAL.

REFERENCE DESIGNATOR	VAR-1,2,3 (AM-3P II)	VAR-4,5 (MULTIMEDIA)
R2, R23	NOT USED	0
R100, R200,	10 OHM	NOT USED
R101, R102, R201, R202,	1.0K	4.99K
R105, R106, R205, R206,	7.50K	17.8K
R111, R211,	12.1K	25.5K
R112, R212,	8.25K	17.4K
R134, R234,	NOT USED	4.99K
C106, C206,	.0082	.0039
C125, C127, C225, C227,	.0033	680PF
J7	USED	NOT USED



THIRD ANGLE PROJECTION	LEVEL	DRAFTER	DATE
	3	CHECKER	8-FEB-94
UNLESS OTHERWISE SPECIFIED INTERPRET THIS DRAWING PER ANSI Y14.5M-1982	2	ENGINEER	28-FEB-94
NOTICE	1	SAFETY ENGINEER	29-FEB-94
BOSE CORP PROPRIETARY RIGHTS ARE INCLUDED HEREIN. THIS INFORMATION MAY NOT BE COPIED, TRANSMITTED OR DISCLOSED EXCEPT AS AUTHORIZED BY BOSE CORP		REL TO PROD PER	

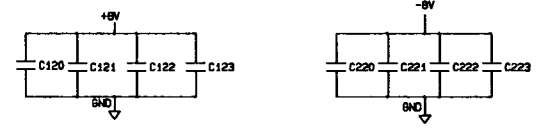
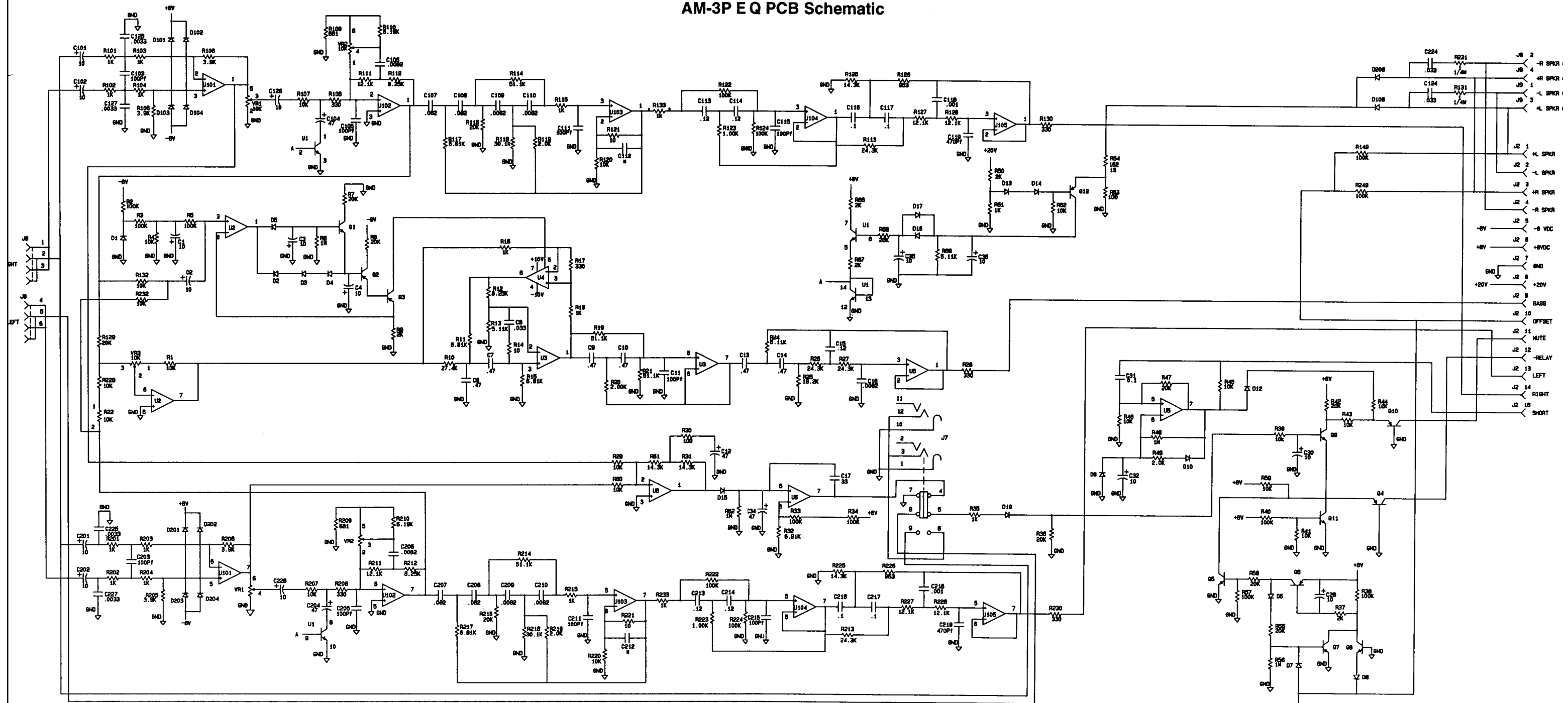
SAFETY CONTROLLED


BOSE
FRAMINGHAM, MA 01701-9168

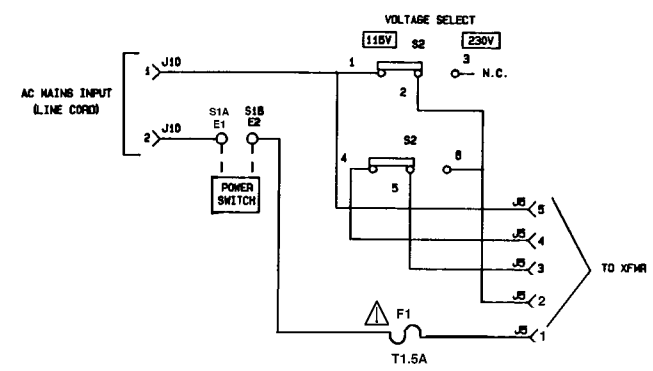
TITLE
PC BOARD, AM-3P II, MULTIMEDIA EQ.

SIZE	FSCM	CLASS	DWG NO.	REV
D	32108	SD	177001	04
SCALE	.387	CAT. CODE	SHEET 1 OF 1	

AM-3P EQ PCB Schematic



- NOTES**
- UNLESS OTHERWISE SPECIFIED ALL RESISTORS VALUES ARE IN OHMS ALL RESISTORS ARE 1/8W 6 SURFACE MOUNT CHIP ALL CAPACITORS VALUES ARE IN MICROFARADS
 - 10V CONNECTS TO THE FOLLOWING PINS: U2-4, U3-4, U4-4, U5-4, U101-4, U102-4, U5-4, U102-4, U103-4, U105-4, U104-4
 - +10V CONNECTS TO THE FOLLOWING PINS: U2-8, U3-8, U4-7, U5-8, U101-8, U102-8, U5-8, U103-8, U104-8, U105-8
 - COMPONENTS MARKED WITH AN * ARE UNUSED
 - THE  SYMBOL INDICATES A CRITICAL COMPONENT. USE ONLY REPLACEMENT PARTS RECOMMENDED BY THE MANUFACTURER.



AM-3P Amplifier PCB Schematic

