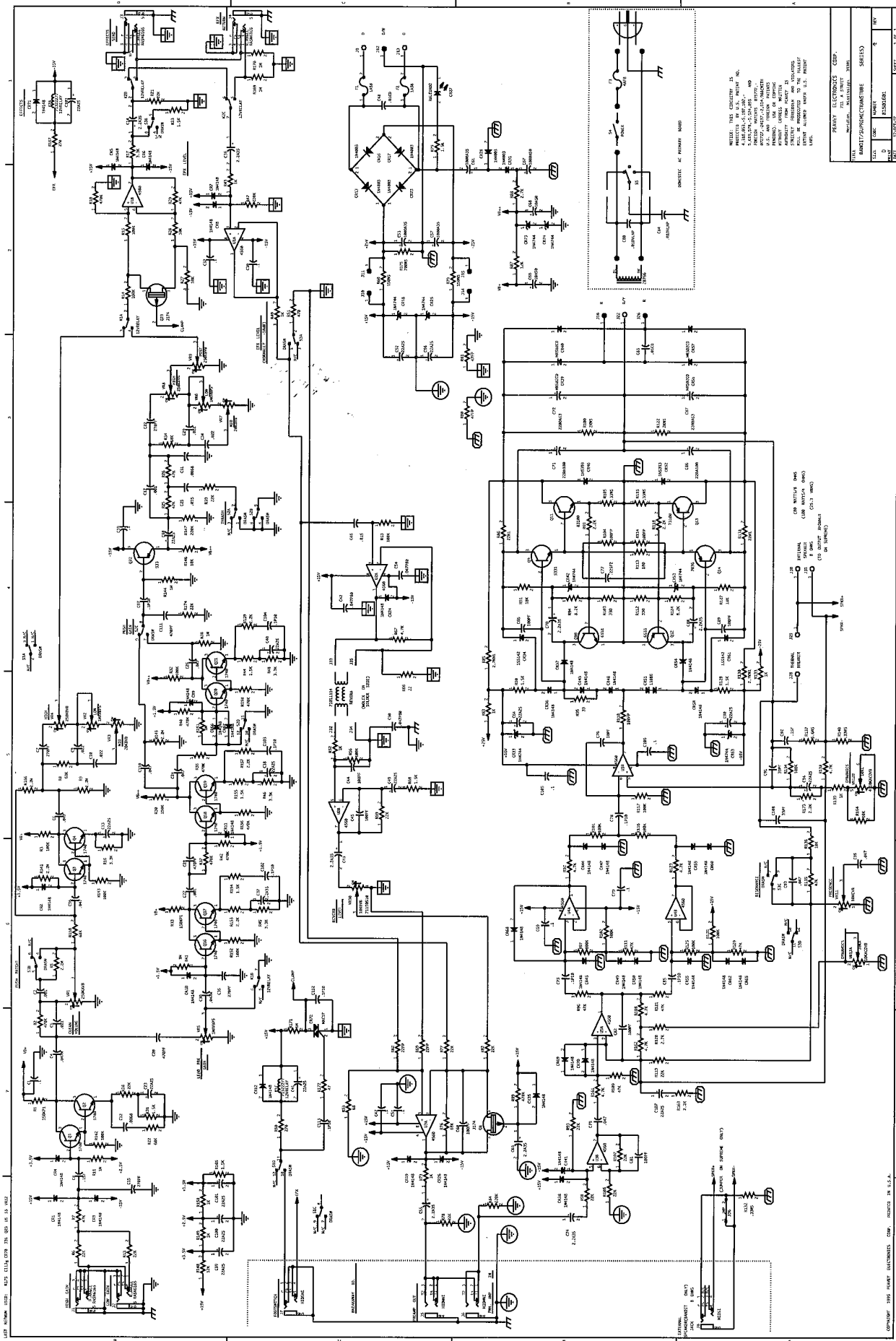


ASSEMBLY NAME
BANDIT TRANSTUBE
SUPREME TRANSTUBE

On Supreme Transtube assembly:  
 X J30 - yellow, 18 GA., 7'. P/N 91090115  
 Δ J31 - blue, 18 GA., 7'. P/N 91090114

\* DO NOT INSERT J36 FOR BANDIT TRANSTUBE  
 \*\* DO NOT INSERT J8 FOR SUPREME TRANSTUBE



REVISIONS TO THIS DRAWING ARE INDICATED BY THE FOLLOWING TABLE. ALL REVISIONS MUST BE APPROVED BY THE DESIGN ENGINEER AND THE PROJECT MANAGER. THE DATE OF THE REVISION IS INDICATED IN THE DATE COLUMN. THE REVISION NUMBER IS INDICATED IN THE REV. COLUMN. THE REVISION DESCRIPTION IS INDICATED IN THE DESCRIPTION COLUMN.

REV.	DATE	DESCRIPTION	BY	CHKD.
1		ISSUED FOR CONSTRUCTION		
2		REVISIONS		
3		REVISIONS		
4		REVISIONS		
5		REVISIONS		



