

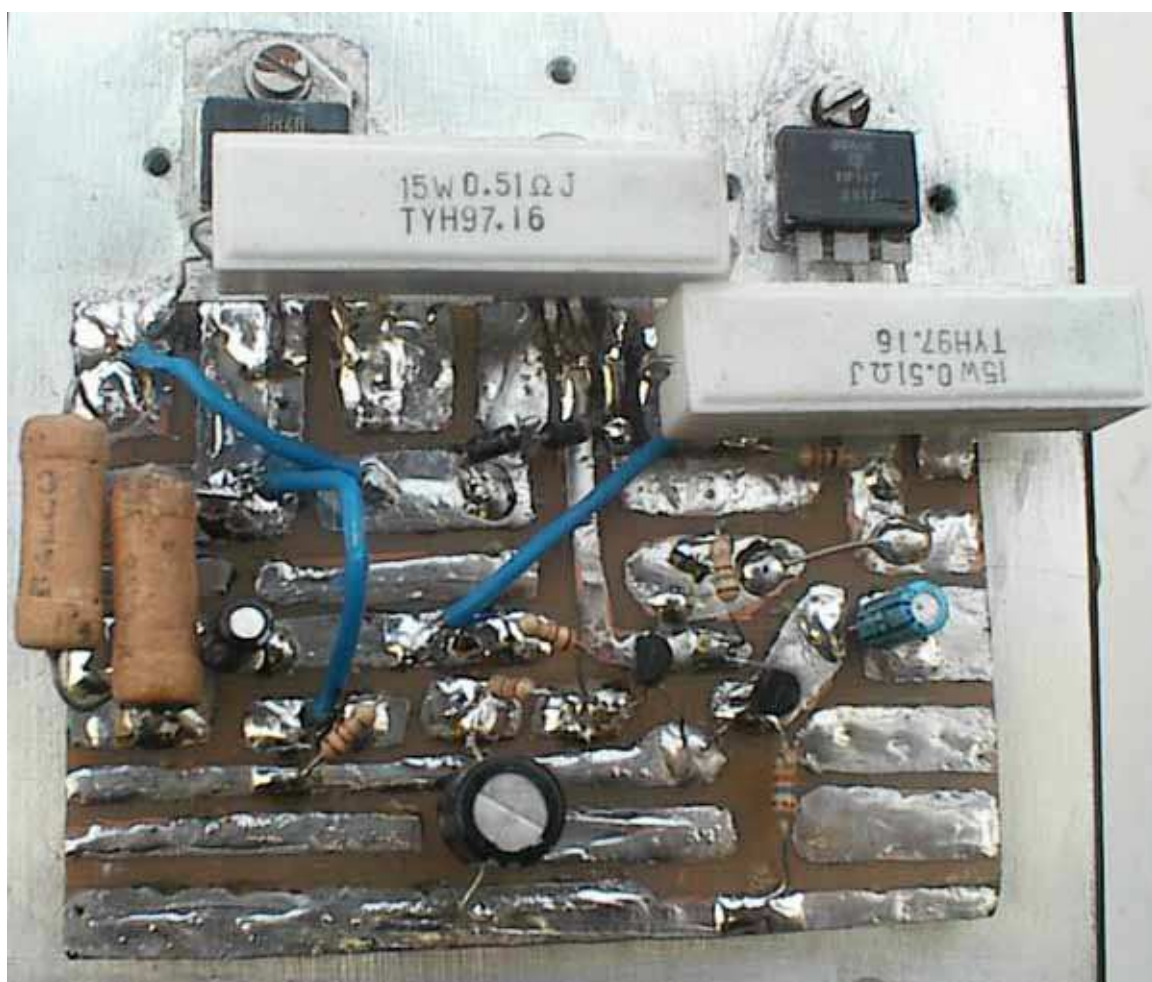
Cheap 100 to 150 Watt Amp

Jon Tirone

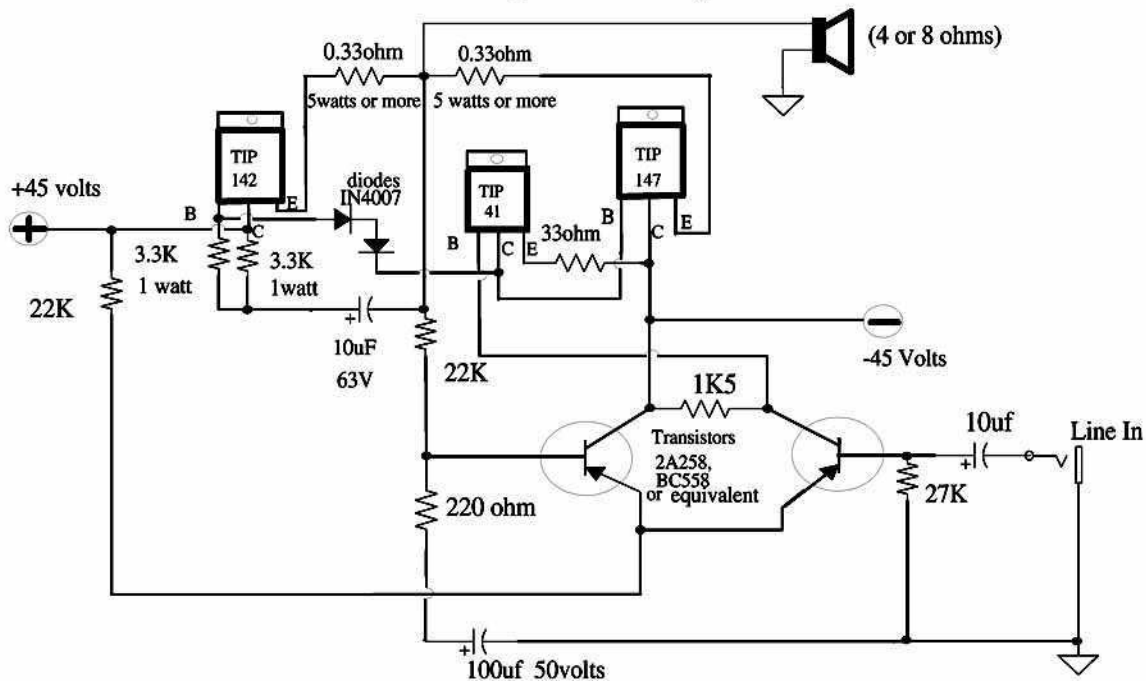
(Also known as John Fisher)

Here is a simple and cheap amp to make

I could have made the circuit board smaller but "what the heck"



100 to 150 watt power amp



Note : This circuit was handed down to me from a friend of a friend.
 It works amazingly well and is cheap to make.
 It is so simple that I have even built it without a PCB.
 The power is dependent on how much
 voltage you put in it so it also depends on what Darlington's you use.

SPLIT POWER SUPPLY

The transformer primary is 110V or 220V depending on your wall voltage.
 The secondary is 35V + 35V AC. Transformer should be about 4 amperes.
 Once it is rectified you will get about 45V + 45V DC volts.
 The diodes should be rated at 3 amperes and for at least 100 volts.

