

aiwa



HS-PX497

STEREO CASSETTE PLAYER

• TYPE: AH

SIMPLE MANUAL

• Replace this Service Manual with "Revision Publishing" when it is issued.

S/M Code No. 09-993-410-7T2

MANUAL
SERVICE

ELECTRICAL MAIN PARTS LIST - 1/2

NOTE: The characters in the suffix column indicate the part usage.

REF.NO	PARTS NO.	DESCRIPTION	SUFFIX	
C	109	87-010-828-080	CHIP CAPACITOR, U 0.033-25F	ABC
C	101	87-012-273-080	C-CAP, U 820P-50 B	ABC
C	102	87-012-273-080	C-CAP, U 820P-50 B	ABC
C	103	87-012-273-080	C-CAP, U 820P-50 B	ABC
C	104	87-012-273-080	C-CAP, U 820P-50 B	ABC
C	108	87-016-114-080	C-CAP, U 0.01-25B	ABC
C	107	87-016-114-080	C-CAP, U 0.01-25B	ABC
C	106	87-016-286-080	C-CAP, TN 2.2-6.3 F93	ABC
C	105	87-016-286-080	C-CAP, TN 2.2-6.3 F93	ABC
C	110	87-010-828-080	CHIP CAPACITOR, U 0.033-25F	ABC
C	113	87-010-987-080	C-CAP, S 1500P-50 CH	ABC
C	114	87-010-987-080	C-CAP, S 1500P-50 CH	ABC
C	115	87-012-285-080	C-CAP, U 8200P-50 B	ABC
C	116	87-012-285-080	C-CAP, U 8200P-50 B	ABC
C	118	87-012-286-080	CAP, U 0.01-25	ABC
C	117	87-012-286-080	CAP, U 0.01-25	ABC
C	119	87-A10-828-080	C-CAP, U 0.33-6.3 K B	ABC
C	111	87-A11-056-080	C-CAP, U 1-10 Z F	ABC
C	112	87-A11-056-080	C-CAP, U 1-10 Z F	ABC
C	127	87-012-274-080	CHIP CAP, U 1000P-50B	ABC
C	128	87-012-274-080	CHIP CAP, U 1000P-50B	ABC
C	129	87-A10-025-080	C-CAP, U 0.22-16Z F	ABC
C	121	87-A10-827-080	C-CAP, U 0.47-6.3 K B	ABC
C	122	87-A10-827-080	C-CAP, U 0.47-6.3 K B	ABC
C	120	87-A10-828-080	C-CAP, U 0.33-6.3 K B	ABC
C	124	87-A11-056-080	C-CAP, U 1-10 Z F	ABC
C	123	87-A11-056-080	C-CAP, U 1-10 Z F	ABC
C	125	87-A11-056-080	C-CAP, U 1-10 Z F	ABC
C	126	87-A11-056-080	C-CAP, U 1-10 Z F	ABC
C	134	87-010-746-080	CAP, TANTAL 10-4	ABC
C	136	87-016-288-080	C-CAP, TN 4.7-6.3 F93	ABC
C	132	87-016-429-080	C-CAP, E 100-4 5.5N	ABC
C	131	87-016-429-080	C-CAP, E 100-4 5.5N	ABC
C	139	87-A10-025-080	C-CAP, U 0.22-16Z F	ABC
C	138	87-A10-025-080	C-CAP, U 0.22-16Z F	ABC
C	130	87-A10-025-080	C-CAP, U 0.22-16Z F	ABC
C	137	87-A10-952-080	C-CAP, TN 22-4 M A MCM	ABC
C	135	87-A10-952-080	C-CAP, TN 22-4 M A MCM	ABC
C	133	87-A11-056-080	C-CAP, U 1-10 Z F	ABC
C	149	87-016-286-080	C-CAP, TN 2.2-6.3 F93	ABC
C	140	87-016-288-080	C-CAP, TN 4.7-6.3 F93	ABC
C	148	87-016-288-080	C-CAP, TN 4.7-6.3 F93	ABC
C	142	87-A10-707-080	C-CAP, U 0.47U-16 F Z	ABC
C	143	87-A10-707-080	C-CAP, U 0.47U-16 F Z	ABC
C	141	87-A10-707-080	C-CAP, U 0.47U-16 F Z	ABC
C	147	87-A10-708-080	C-CAP, U 0.68U-10 F Z	ABC
C	144	87-A11-056-080	C-CAP, U 1-10 Z F	ABC
C	146	87-A11-056-080	C-CAP, U 1-10 Z F	ABC
C	145	87-A11-056-080	C-CAP, U 1-10 Z F	ABC
C	152	87-010-784-080	C-CAP, U 0.012-25 B	ABC
C	151	87-010-784-080	C-CAP, U 0.012-25 B	ABC
C	150	87-016-288-080	C-CAP, TN 4.7-6.3 F93	ABC
C	153	87-A11-056-080	C-CAP, U 1-10 Z F	ABC
C	154	87-A11-056-080	C-CAP, U 1-10 Z F	ABC
C	183	87-012-284-080	CAP, U 6800P-50	ABC
C	184	87-012-284-080	CAP, U 6800P-50	ABC
C	181	87-A10-263-080	C-CAP, U 0.1-16ZF	ABC
C	182	87-A10-263-080	C-CAP, U 0.1-16ZF	ABC
C	185	87-A11-062-080	C-CAP, S 2.2-16 Z F	ABC
IC	101	87-A21-174-010	C-IC, TA2103F	ABC
J	101	87-099-575-010	JACK, 3.5ST BLK 5P	ABC
Q	105	87-026-331-080	CHIP TRANSISTOR DTA114YU	ABC
Q	106	87-026-331-080	CHIP TRANSISTOR DTA114YU	ABC
Q	107	87-026-350-080	CHIP TRANSISTOR DTC114TU	ABC
Q	102	87-026-352-080	CHIP-TR, DTC144TU	ABC
Q	104	87-026-352-080	CHIP-TR, DTC144TU	ABC
Q	101	89-113-625-080	TR, 2SA1362GR (120MHZ, 0.	ABC
Q	183	87-026-352-080	CHIP-TR, DTC144TU	ABC
Q	184	87-026-352-080	CHIP-TR, DTC144TU	ABC
Q	182	89-341-165-080	CHIP TRANSISTOR 2SC4116GR	ABC
Q	181	89-341-165-080	CHIP TRANSISTOR 2SC4116GR	ABC
R	108	87-022-243-080	CHIP RES, U 15K-1/16W F	ABC
R	107	87-022-243-080	CHIP RES, U 15K-1/16W F	ABC
R	102	87-022-279-080	C-RES, U 470-1/16W F	ABC
R	101	87-022-279-080	C-RES, U 470-1/16W F	ABC
R	109	87-022-292-080	CHIP RES U 330K-1/16W F	ABC
R	119	87-022-216-080	C-RES, U 1.1K-1/16W F	ABC
R	117	87-022-251-080	C-RES, U 33K-1/16W F	ABC
R	115	87-022-251-080	C-RES, U 33K-1/16W F	ABC
R	116	87-022-251-080	C-RES, U 33K-1/16W F	ABC
R	118	87-022-251-080	C-RES, U 33K-1/16W F	ABC
R	110	87-022-292-080	CHIP RES U 330K-1/16W F	ABC
R	120	87-022-216-080	C-RES, U 1.1K-1/16W F	ABC
R	121	87-022-241-080	CHIP RESTOR 12K 1/16W F	ABC
R	122	87-022-241-080	CHIP RESTOR 12K 1/16W F	ABC
R	129	87-022-254-080	C-RES, U 43K-1/16 WF	ABC

ELECTRICAL MAIN PARTS LIST - 2/2

R	124	87-022-293-080	CHIP RES U 390K-1/16W F	ABC.....
R	123	87-022-293-080	CHIP RES U 390K-1/16W F	ABC.....
R	137	87-022-223-080	CHIP RES 2.2K 1/16W F	ABC.....
S	102	87-A90-330-080	C-SW,SL 1-1-2 SSSS81	ABC.....
S	101	87-A90-330-080	C-SW,SL 1-1-2 SSSS81	ABC.....
S	103	87-A90-400-080	C-SW,SL 1-1-4 SSSS81	ABC.....
VR	101	87-A90-116-080	C-VR,RTRY20KXCX2V0103	ABC.....
C	402	87-012-286-080	CAP, U 0.01-25	ABC.....
C	401	87-012-286-080	CAP, U 0.01-25	ABC.....
C	403	87-012-286-080	CAP, U 0.01-25	ABC.....
C	406	87-A10-025-080	C-CAP,U 0.22-16Z F	ABC.....
C	409	87-A10-260-080	C-CAP,U 0.1-16 K B	ABC.....
C	407	87-A10-263-080	C-CAP,U 0.1-16ZF	ABC.....
C	405	87-A10-707-080	C-CAP,U 0.47U-16 F Z	ABC.....
C	408	87-A10-950-080	C-CAP,S 4.7-10 Z F	ABC.....
IC	401	87-A20-961-040	C-IC,MM1279XV	ABC.....
Q	401	89-113-625-080	TR,2SA1362GR(120MHZ,0.	ABC.....
Q	402	89-113-625-080	TR,2SA1362GR(120MHZ,0.	ABC.....
Q	403	89-113-625-080	TR,2SA1362GR(120MHZ,0.	ABC.....
Q	405	89-333-266-080	CHIP TR,2SC3326B	ABC.....
Q	404	89-333-266-080	CHIP TR,2SC3326B	ABC.....
SFR	401	87-024-406-080	C-SFR,6.8K RH03A3A	ABC.....
TH	401	87-A90-855-080	C-THMS,SC20-3K102K	ABC.....
PS	501	87-A90-526-010	SNSR,NJL 5163-F1-B	ABC.....
Q	502	87-026-350-080	CHIP TRANSISTOR DTC114TU	ABC.....
Q	501	89-333-266-080	CHIP TR,2SC3326B	ABC.....
D	601	87-A40-643-040	C-LED,SML-211UT	ABC.....
Q	601	87-026-352-080	CHIP-TR,DTC144TU	ABC.....
C	701	87-010-746-080	CAP, TANTAL 10-4	ABC.....
C	702	87-010-746-080	CAP, TANTAL 10-4	ABC.....
C	703	87-A10-263-080	C-CAP,U 0.1-16ZF	ABC.....
D	701	87-A40-642-040	C-DIODE,1SS367	ABC.....
IC	701	87-A20-785-080	C-IC,S-81215SG-QK-T1	ABC.....
Q	704	87-026-334-080	CHIP TRANSISTOR DTA143TU	ABC.....
Q	705	87-026-334-080	CHIP TRANSISTOR DTA143TU	ABC.....
Q	703	87-026-350-080	CHIP TRANSISTOR DTC114TU	ABC.....
Q	706	87-026-352-080	CHIP-TR,DTC144TU	ABC.....
Q	707	87-026-352-080	CHIP-TR,DTC144TU	ABC.....
Q	702	89-113-625-080	TR,2SA1362GR(120MHZ,0.	ABC.....
Q	701	89-113-625-080	TR,2SA1362GR(120MHZ,0.	ABC.....
C	805	87-010-274-080	C-CAP,TN 3.3-4	ABC.....
C	807	87-012-274-080	CHIP CAP,U 1000P-50B	ABC.....
C	808	87-A10-263-080	C-CAP,U 0.1-16ZF	ABC.....
C	802	87-A11-056-080	C-CAP,U 1-10 Z F	ABC.....
C	803	87-A11-056-080	C-CAP,U 1-10 Z F	ABC.....
C	801	87-A11-056-080	C-CAP,U 1-10 Z F	ABC.....
D	801	87-A40-642-040	C-DIODE,1SS367	ABC.....
IC	801	8Z-HK6-605-010	C-IC,MSM6576-99-GS-K	ABC.....
Q	801	87-026-337-080	C-TR,DTA144TU	ABC.....
Q	803	87-026-349-080	CHIP TRANSISTOR DTC143TU	ABC.....
Q	802	89-113-625-080	TR,2SA1362GR(120MHZ,0.	ABC.....
R	804	87-022-255-080	C-RES,U 47K-1/16W F	ABC.....
R	807	87-022-292-080	CHIP RES U 330K-1/16W F	ABC.....
R	810	87-022-292-080	CHIP RES U 330K-1/16W F	ABC.....
R	814	87-022-292-080	CHIP RES U 330K-1/16W F	ABC.....
R	811	87-022-292-080	CHIP RES U 330K-1/16W F	ABC.....
R	821	87-022-292-080	CHIP RES U 330K-1/16W F	ABC.....
S	807	87-036-373-080	C-SW,SLIDE 1-1-2(E)	ABC.....
S	808	87-A90-330-080	C-SW,SL 1-1-2 SSSS81	ABC.....
S	802	87-A90-356-210	SW,LEAF 6ZM-2	ABC.....
S	801	87-A90-455-010	SW,PUSH HXW4001	ABC.....
S	806	87-A90-665-180	C-SW,TACT LS7A2M	ABC.....
S	803	87-A90-665-180	C-SW,TACT LS7A2M	ABC.....
S	804	87-A90-665-180	C-SW,TACT LS7A2M	ABC.....
S	805	87-A90-665-180	C-SW,TACT LS7A2M	ABC.....
S	809	87-A91-335-080	C-SW,PUSH 1-1-1 SPVG11	ABC.....
X	801	87-A70-079-110	VIB,XTAL 32.768KHZ M VT-200	ABC.....
C	901	87-A11-056-080	C-CAP,U 1-10 Z F	ABC.....
J	901	87-A60-319-010	JACK,DC DIA 2.75	ABC.....

MECHANICAL PARTS LIST - 1/1

NOTE: The characters in the suffix column indicate the part usage.

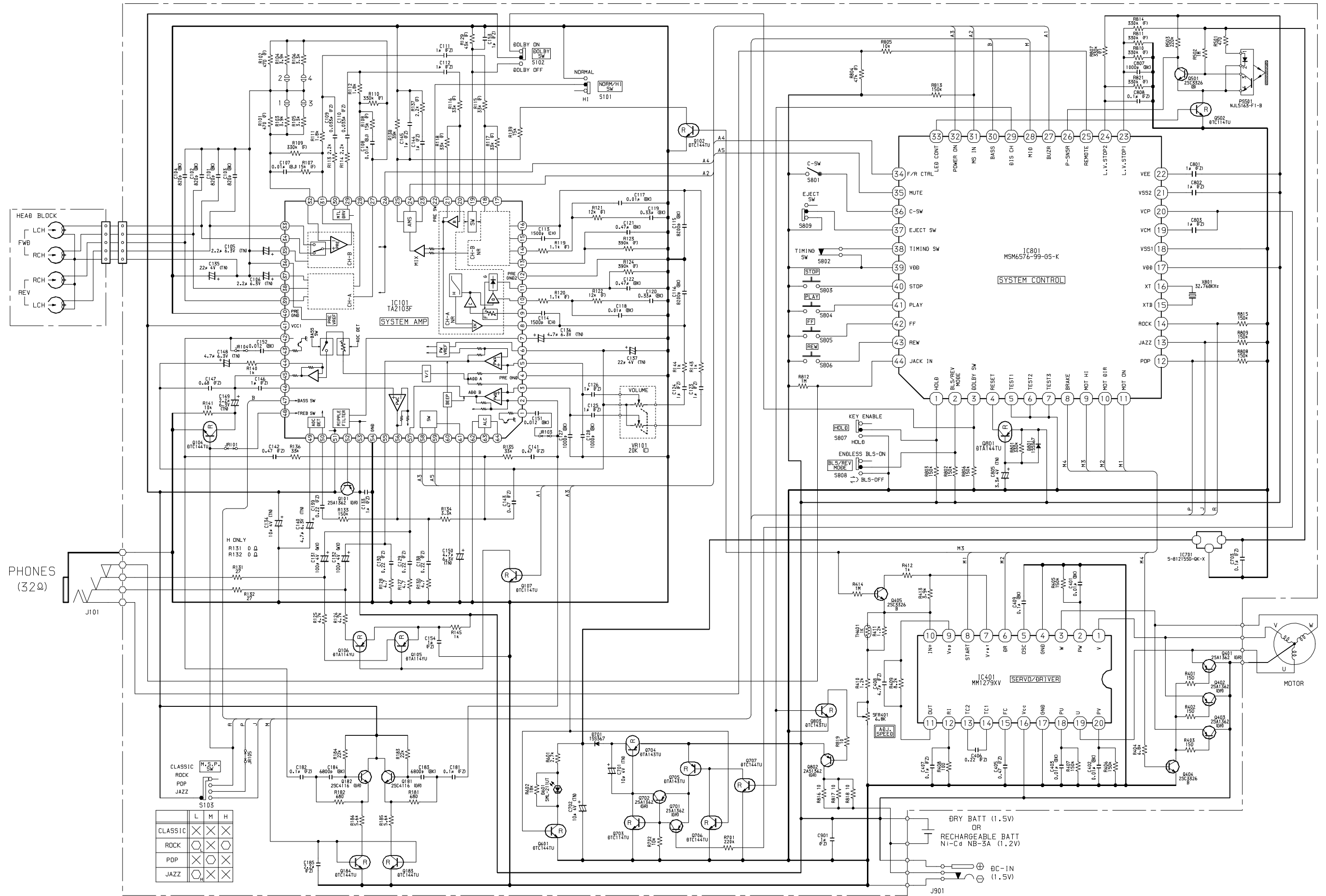
REF.NO	PARTS NO.	KANRI NO.	DESCRIPTION	SUFFIX
AH	XX	C
	8Z-HK6-001-010		LID,ASSY CASS N	ABC
	8Z-HK6-008-010		WINDOW,CASS N	ABC
	87-067-738-010		HINGE SCREW 1.4-1 BLK N	ABC
	87-HK5-237-010		S-SCREW,1.4-2 CR NL	ABC
*	8Z-HK6-223-010		S-SCREW,+1.4-0.7-1 CR NL	ABC
	8Z-HK6-202-010		HLD R,CASS R	ABC
	8Z-HK6-203-010		HLD R,CASS L	ABC
	8Z-HK6-207-010		SPR-P,CLIK	ABC
	8Z-HK6-003-010		CABI,REAR 497 N	AB
	8Z-HK6-004-010		FRAME,CENTER N	ABC
	8Z-HK6-005-010		LID,BATT 497 N	ABC
	8Z-HK6-009-010		LENS,LED	ABC
	8Z-HK6-021-010		CABI,REAR 497H N	.C
	8Z-HK6-006-010		KEY,MSP	ABC
	8Z-HK6-007-010		KEY,CONT	ABC
	8Z-HK6-010-010		KNOB,SL OPEN	ABC
	8Z-HK6-011-010		KNOB,SL HOLD	ABC
	8Z-HK6-012-010		KNOB,SL A	ABC
	8Z-HK6-013-010		KNOB,SL B	ABC
	87-067-384-010		SCREWVT1.4-3.5HL	ABC
	87-067-430-010		VT1.4-5 BLK	ABC
	87-067-535-010		SCREW VT+1.4-3.5	ABC
	87-067-732-010		TAPPING SCREW, VT1.4-3	ABC
	87-067-746-010		SCREW,M 1.4-2(H0.5)	ABC
	87-078-113-010		S-SCRW,+1.4-3.5 HL(B	ABC
	87-263-500-310		SCREW V+1.4-1.4	ABC
	87-HK5-235-010		S-SCREW,1.4-0.6-2.5	ABC
	88-HK5-228-010		S-SCREW,+1.4-2 CR	ABC
*	8Z-HK6-224-010		S-SCREW,SERR+1.4-3 CR	ABC
	87-HK6-203-010		SPR-P,POP UP	ABC
	8Z-HK6-205-010		HLD R,JACK	ABC
	8Z-HK6-206-010		SPR-P,CASS	ABC
	8Z-HK6-208-010		HLD R,BATT	ABC
	8Z-HK6-210-010		GEAR,MSP	ABC
	8Z-HK6-211-010		SPR,CLICK MSP	ABC
	8Z-HK6-213-010		SPR-C,BATT M	ABC
	8Z-HK6-225-010		SPR-E,EJECT L	ABC
*	8Z-HK6-201-010		PLATE,HINGE	ABC
*	8Z-HK6-204-010		PLATE,EJECT	ABC
*	8Z-HK6-209-010		PLATE,IND	ABC
*	8Z-HK6-212-010		PLATE,BATT P	ABC

ACCESSORIES / PACKAGE LIST - 1/1

NOTE: The characters in the suffix column indicate the part usage.

REF.NO	PARTS NO.	NO.	DESCRIPTION	SUFFIX
AH		XX		C
		KANRI		
	8Z-HK6-905-010		IB,H(ECK)S	.C
	8Z-HK6-907-010		IB,EZ(EGFSI) S	AB
	8Z-HK6-908-010		IB,EZ(DPHMCZ) S	.B
	87-047-153-110		BAT,NB-3A PH	ABC
	87-B30-134-010		CHARGER,RB-N01ENC	.B
	87-B30-135-010		CHARGER,RB-N01HNC	.C
	87-B30-153-010		CHARGER,RB-N01KNC	A
	87-B30-253-010		HEADPHONE,HP-M041	ABC
	8Z-HK6-951-010		RC UNIT,RC497	ABC

SCHEMATIC DIAGRAM - 1 (MAIN)



	L	M	H
CLASSIC	X	X	X
ROCK	X	X	X
POP	X	X	X
JAZZ	X	X	X

サービス技術ニュース	
番号	連絡内容
G- -	
G- -	
G- -	

アイワ株式会社
AIWA CO.,LTD.

9630469

Tokyo Japan

〒110-8710 東京都台東区池之端1-2-11 ☎03(3827)3111 (代表)

Printed in Singapore