

# PARTS LIST

[ RX-DV3SL ]

\* All printed circuit boards and its assemblies are not available as service parts.

Area suffix

J ----- U.S.A.

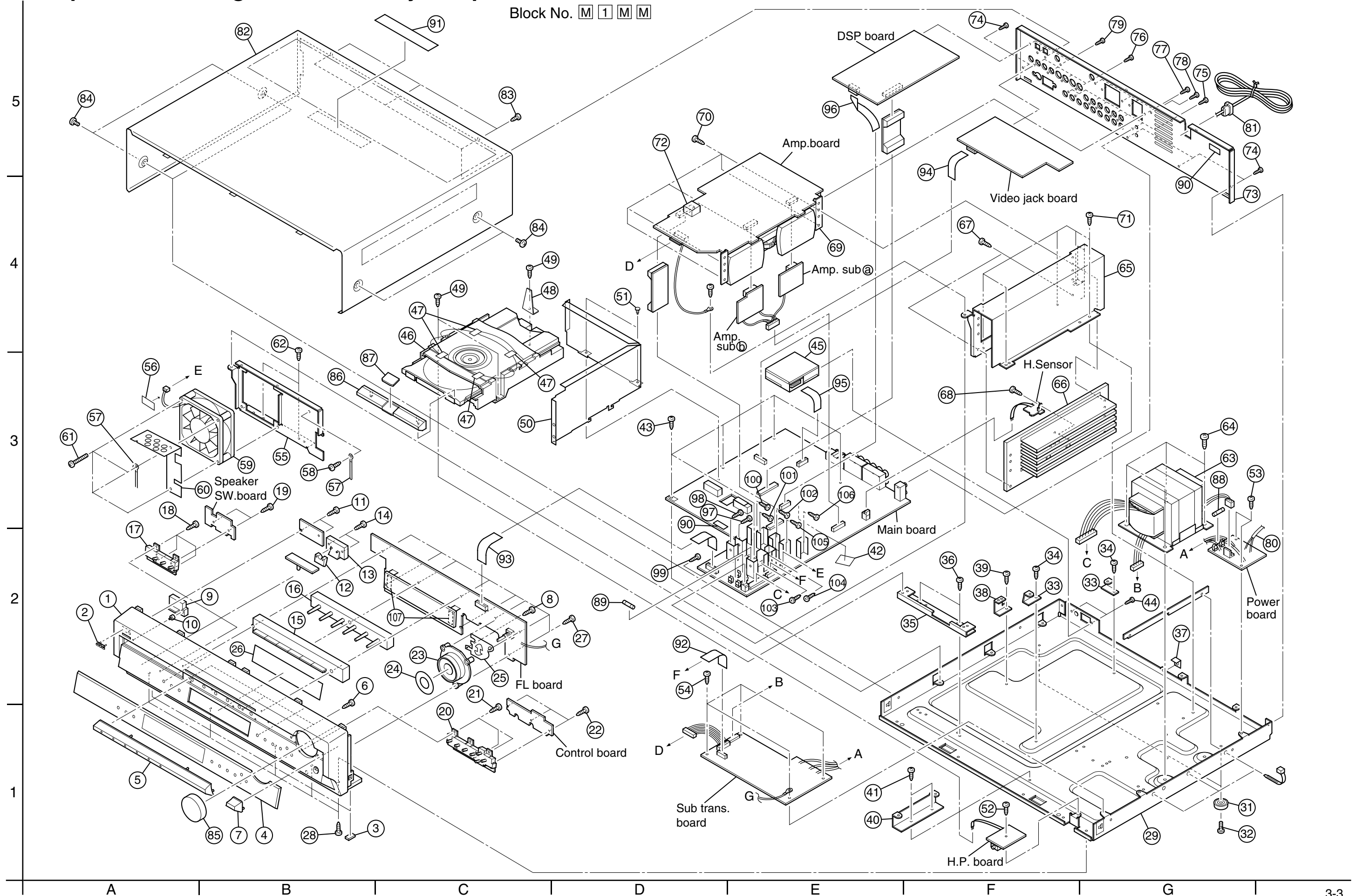
## - Contents -

Exploded view of general assembly and parts list (Block No.M1) .....	3- 3
DVD mechanism assembly and parts list (Block No.MJ) .....	3- 6
DVD loading base assembly and parts list (Block No.MN) .....	3- 8
Electrical parts list (Block No.01~06) .....	3-10
Packing materials and accessories parts list (Block No.M3,M5) .....	3-24

< MEMO >

# Exploded view of general assembly and parts list

Block No. **M 1 M M**



## ■ Parts list (General assembly)

Block No. M1MM

△	Item	Parts number	Parts name	Q'ty	Description	Area
	1	LV10652-002A	FRONT PANEL	1		
	2	VJD5429-002SS	JVC MARK	1		
	3	E75896-003	FELT SPACER	2	FRONT FOOT	
	4	LV21214-012A	LENS	1		
	5	LV33427-002A	ORNAMENT(L)	1		
	6	QYSDSF2608Z	SCREW	3	(L)+F.PANEL	
	7	LV33428-002A	ORNAMENT(R)	1		
	8	QYSDSF2608Z	SCREW	1	(R)+F.PANEL	
	9	LV33426-003A	PUSH BUTTON(PO)	1		
	10	VJK4493-001SC	LENS(STANDBY)	1		
	11	QYSDSF2608Z	SCREW	2	P.B.PWB+F.P	
	12	LV42877-002A	INDICATOR LENS	1		
	13	LV33434-002A	LENS HOLDER	1		
	14	QYSDSF2608Z	SCREW	2	LED PWB+F.P	
	15	LV21216-002A	PUSH BUTTON(SO)	1		
	16	LV33425-001A	PUSH BUTTON(PL)	1		
	17	LV33423-002A	PUSH BUTTON(DS)	1		
	18	QYSDSF2608Z	SCREW	4	P.BTN+F.P	
	19	QYSDSF2608Z	SCREW	2	DSP PWB+P.BTN	
	20	LV21215-002A	PUSH BUTTON(CO)	1		
	21	QYSDSF2608Z	SCREW	3	P.BTN+F.P	
	22	QYSDSF2608Z	SCREW	3	CONT.PWB+BTN	
	23	LV33433-002A	VOL.RING	1		
	24	LV42880-001A	VOL.SHEET	1		
	25	LV43217-001A	VOL.SHIELD	1		
	26	LV42851-005A	FL SCREEN	1		
	27	QYSDSF2608Z	SCREW	8	FL PWB+F.P	
	28	QYSBSG3008N	T.SCREW	5	F.P+CHA.BASE	
	29	LV10653-002A	CHASSIS BASE	1		
	31	E47227-021	FOOT ASS'Y	2		
	32	QYSBSG3008Z	T.SCREW	2	FOOT+CHA.BASE	
	33	LV41548-001A-NK	C.B BKT	2		
	34	QYSBST3006Z	T.SCREW	2	C.B.BKT+C.BASE	
	35	LV33431-001A	MECHA BKT(F)	1		
	36	QYSBST3006Z	T.SCREW	2	M.BKT(F)+C.BASE	
	37	LV43238-001A	SPACER	1		
	38	LV42879-001A	MECHA BKT(R)	1		
	39	QYSBST3006Z	T.SCREW	1	M.BKT(R)+C.BASE	
	40	LV33429-001A	C.B BKT	1		
	41	QYSBST3006Z	T.SCREW	2	C.B.BKT+ C.BASE	
	42	LV30225-0B6A	SPACER	1		
	43	QYSBST3006E	T.SCREW	5	MOTHER+CH.BASE	
	44	QYSBSGY3008M	SPECIAL SCREW	2	TUNER P +CH.BASE	
	45	QAU0279-001	TUNER	1	TUNER PACK	
	46	-----	DVD LOADING BASE	1		
	47	LV30225-090A	SPACER	4		
	48	LE40874-002A	THRUST SPRING	1		
	49	QYSBST3010Z	T.SCREW	3	DVD MECHA+M.BKT	

## ■ Parts list (General assembly)

Block No. M1MM

△	Item	Parts number	Parts name	Q'ty	Description	Area
	50	LV21222-002A	BARRIER	1	PC	
	51	FMYH4004-001	PLASTIC RIVET	2	BARRIER+MOTHER	
	52	QYSBSGG3008Z	TAP.SCREW	1	H.P PWB+CH.B	
	53	QYSBSG3006Z	T.SCREW	2	P.CODE PWB+CH.B	
	54	QYSBSG3006Z	T.SCREW	4	S.TRANS PWB+CH.B	
	55	LV21220-001A	FAN BRACKET	1		
	56	LV30225-0F6A	SPACER	1		
	57	VKZ4001-111S	WIRE CLAMP	2		
	58	QYSBST3006Z	T.SCREW	1		
	59	QAR0244-001	FAN MOTER	1		
	60	LV33801-001A	WIRE HOLDER	1		
	61	QYSBSG3030Z	T.SCREW	4	FAN+FAN BKT	
	62	QYSBST3006Z	T.SCREW	2	FAN BKT+CH.B	
△	63	QQT0371-002	POWER TRANS	1		
	64	QYSDST4008Z	SPECIAL SCREW	4	TRANS+CH.B	
	65	LV21219-001A	H.SINK BKT	1		
	66	LV21218-002A-NK	HEAT SINK	1		
	67	QYSBSG3008Z	T.SCREW	2	H.SINK+H.S.BKT	
	68	QYSBSG3008Z	T.SCREW	1	H.SENSOR+H.S	
	69	LV33430-001A	IC BKT	1		
	70	QYSBSG3008Z	T.SCREW	5	IC BKT+H.S	
	71	QYSBST3006Z	T.SCREW	5	H.S.BKT+CH.B	
	72	LV30225-0F9A	SPACER	1		
	73	LV21221-020A	REAR PANEL	1		
	74	QYSBSGY3008M	SPECIAL SCREW	4	R.PANEL+CH.B	
	75	QYSBSGY3008M	SPECIAL SCREW	7	R.PANEL+MOTHER	
	76	QYSBSGY3008M	SPECIAL SCREW	4	R.PANEL+S.VIDEO	
	77	QYSBSGY3008M	SPECIAL SCREW	5	R.PANEL+AMP PWB	
	78	QYSBSGY3008M	SPECIAL SCREW	1	R.PANEL+H.S.BKT	
	79	QYSBSGY3008M	SPECIAL SCREW	4	R.PANEL+DSP PWB	
△	80	QMPD420-200-JV	POWER CORD	1		
△	81	QZW0033-001	STRAIN RELIEF	1		
	82	LV20962-003A-NK	TOP COVER	1	002A=B 003A=S	
	83	QYSBSGY3008E	SPECIAL SCREW	3	TOP+P.PANEL	
	84	E406308-004	SPECIAL SCREW	4	TOP SIDE	
	85	LV33432-002A	VOL.KNOB	1		
	86	LV21217-002A	TRAY FITTING	1		
	87	LV42878-006A	FITTING LENS	1	002A=DVD AUDIO	
△	88	QMF51U1-5R0-J8	FUSE	1	F 101	
△	89	QMF51U1-2R0-J8	FUSE	2	F 131 F 132	
	90	LV42388-001A	FUSE CAUTION	2		
	91	E409396-003	CAUTION LABEL	1		
	92	QUQ412-1015CJ	FFC WIRE	1	CHIBITORA TO MOTER	
	93	QUQ412-1328CJ	FFC WIRE	1	FL TO MOTHER	
	94	QUQ412-1406CJ	FFC WIRE	1	VIDEO TO MOTHER	
	95	QUQ412-1106CJ	FFC WIRE	1	TUNER TO MOTHER	
	96	QUQ412-1217CJ	FFC WIRE	1	DSP TO MOTHER	
	97	QYSBSG3006E	T.SCREW	1		

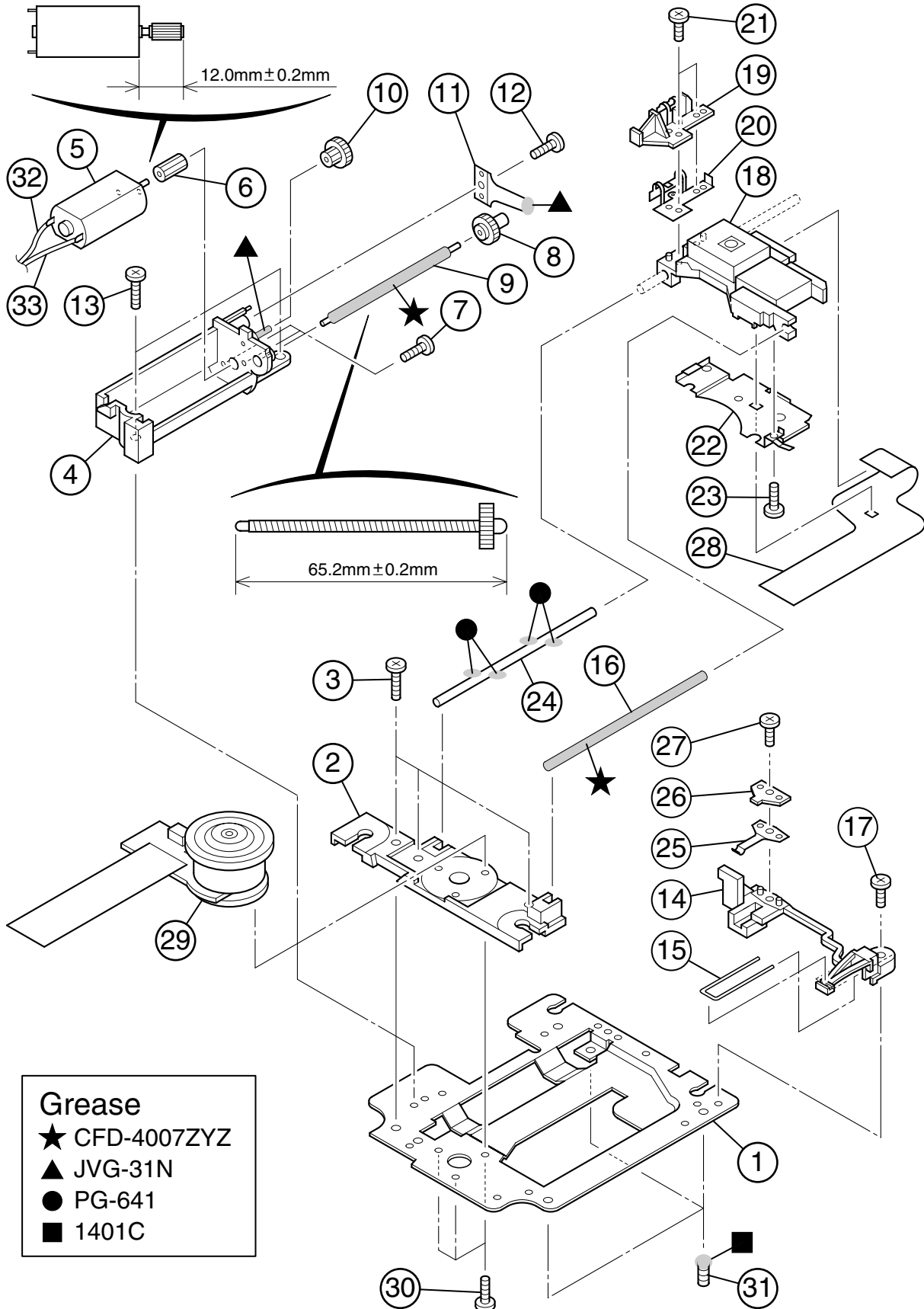
**■ Parts list (General assembly)**
**Block No. M1MM**

▲	Item	Parts number	Parts name	Q'ty	Description	Area
	98	QYSBSG3006E	T.SCREW	1		
	99	QYSBSG3006E	T.SCREW	1		
	100	QYSBSG3006E	T.SCREW	1		
	101	QYSBSG3006E	T.SCREW	1		
	102	QYSBSG3006E	T.SCREW	1		
	103	QYSBSG3006E	T.SCREW	1		
	104	QYSBSG3006E	T.SCREW	1		
	105	QYSBSG3006E	T.SCREW	1		
	106	QYSBSG3006E	T.SCREW	1		
	107	E3400-431	SPACER	2		

# DVD mechanism assembly and parts list

Block No. M J M M

EXL-V72-1YPC

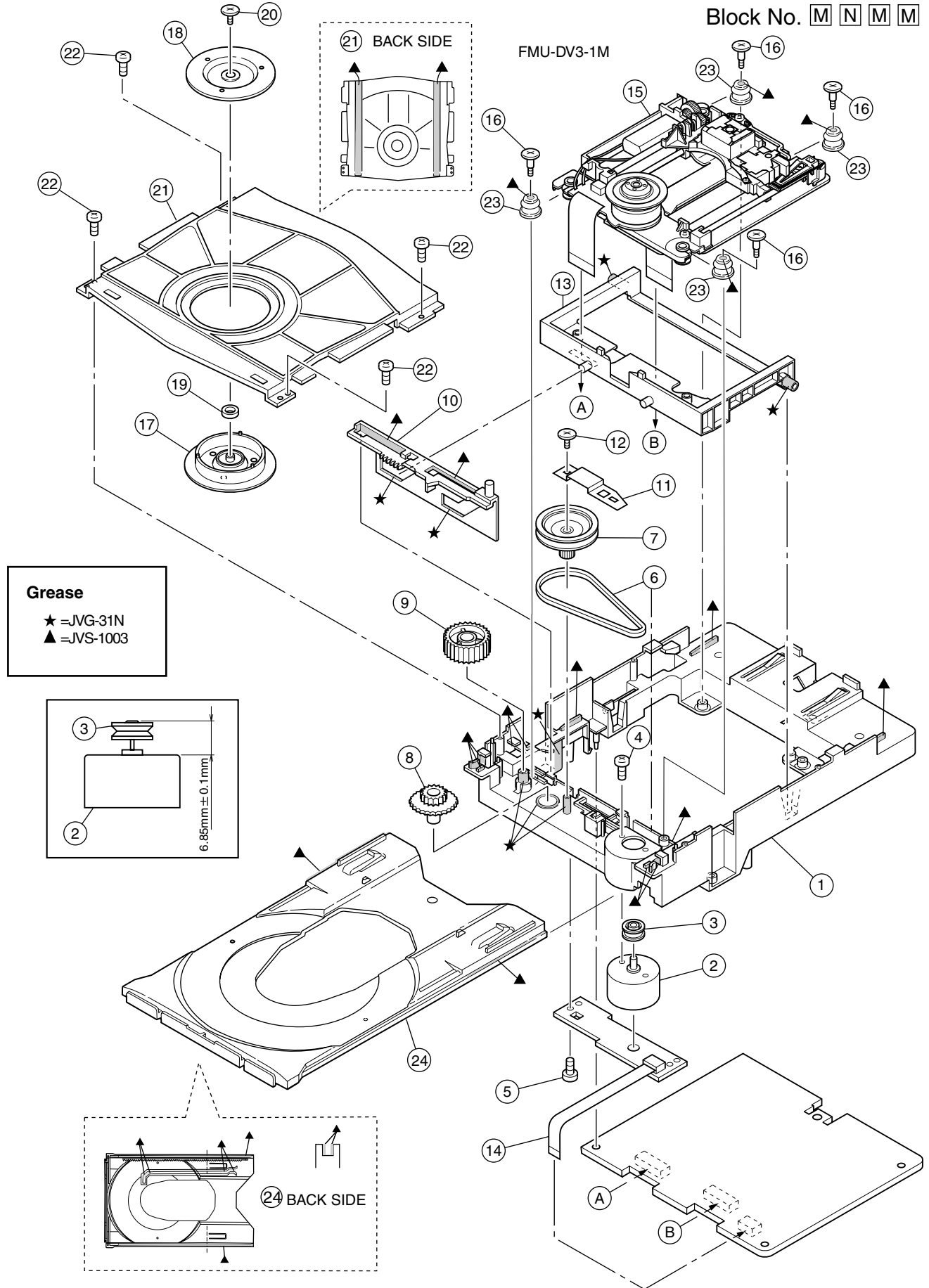


**■ Parts list (DVD mechanism)**

Block No. MJMM

△	Item	Parts number	Parts name	Q'ty	Description	Area
	1	LE20520-002A	MECHA.BASE	1		
	2	LE20516-001A	SPINDLE BASE	1		
	3	QYSDST2605M	SCREW	3		
	4	LE30909-001A	FEED HOLDER ASSY	1		
	5	QAR0165-001	FEED MOTOR	1		
	6	LV41510-001A	FEED GEAR T	1		
	7	QYSPSPU2040M	SCREW	2		
	8	LV41512-001A	FEED GEAR E	1		
	9	LV41517-003A	LEAD SCREW	1		
	10	LV41511-002A	FEED GEAR M	1		
	11	LE40742-001A	THRUST SPRING	1		
	12	QYSDSF2005Z	SCREW	1		
	13	QYSDST2605M	SCREW	2		
	14	LE20517-001A	SHAFT HOLDER	1		
	15	LE40744-001A	BAR SPRING(1)	1		
	16	LV41121-002A	SHAFT	1		
	17	QYSDST2605M	SCREW	1		
	18	QAL0342-001	PICK UP	1		
	19	LE20519-001A	SW.ACTUATOR	1		
	20	LE30886-001A	LEAD SPRING	1		
	21	QYSPSFU1740Z	SCREW	2		
	22	LE30888-003A	P.U.SPRING	1		
	23	QYSPSGU1430Z	SCREW	1		
	24	LV41121-002A	SHAFT	1		
	25	LE40743-001A	T.SPRING(S)	1		
	26	LE40774-001A	PLATE	1		
	27	QYSDST2606Z	SCREW	1		
	28	QAL0284-001	FPC	1		
	29	QAR0241-001	SPINDLE MOTOR	1		
	30	QYSPSPU1760Z	SCREW	3		
	31	QYYASPF2608N	HEX SCREW	3		
	32	QUB549-05A1A1	SIN TWIST WIRE	1		
	33	QUB544-05A1A1	SIN TWIST WIRE	1		

# DVD loading base assembly and parts list





## ■ Parts list (DVD loading base)

Block No. MNMM

△	Item	Parts number	Parts name	Q'ty	Description	Area
	1	LV10454-007A-CK	LOADING BASE	1		
	2	QAR0164-001	MOTOR	1	MABUCHI	
	3	LV42087-001A	MOTOR PULLEY	1		
	4	QYSPSPU1730Z	SCREW	1	FOR MOTOR	
	5	VKZ4777-003	MINI SCREW	1		
	6	LV42209-001A	BELT	1		
	7	LV42084-002A	PULLEYGEAR	1		
	8	LV42085-002A	MIDDLE GEAR	1		
	9	LV42086-001A	IDLE GEAR	1		
	10	LV32514-002A	SLIDE CAM	1		
	11	LV42348-001A	P GEAR BKT	1		
	12	VKZ4777-003	MINI SCREW	1	FOR PULLEY GEAR	
	13	LV20912-002A	ELEVATOR	1		
	14	QUQ110-0610AJ	FFC WIRE	1		
	15	-----	DVD MECHA	1		
	16	LV41424-001A	SPECIAL SCREW	4		
	17	LV32417-001A	CLAMPER	1		
	18	LV42089-002A	YOKE	1		
	19	LV42930-003A	MAGNET	1		
	20	LV41741-001A	SPECIAL SCREW	1		
	21	LV20913-002A	CLAMPER BASE	1		
	22	QYSBSF2008Z	SCREW	4		
	23	LV41659-001A	INSULATOR	4		
	24	LV10455-002A-CK	TRAY	1		

## ■ Electrical parts list (Main board)

Block No. 01

△	Item	Parts number	Parts name	Remarks	Area	△	Item	Parts number	Parts name	Remarks	Area
	C 131	QFLC2AJ-104Z	M CAPACITOR	.10MF 5% 100V			C 383	QEKC1HM-475Z	E CAPACITOR	4.7MF 20% 50V	
	C 132	QFLC2AJ-104Z	M CAPACITOR	.10MF 5% 100V			C 384	QEKC1HM-475Z	E CAPACITOR	4.7MF 20% 50V	
	C 133	QFLC2AJ-104Z	M CAPACITOR	.10MF 5% 100V			C 385	QEKC1HM-475Z	E CAPACITOR	4.7MF 20% 50V	
	C 135	QETM1VM-338	E CAPACITOR	3300MF 20% 35V			C 386	QEKC1HM-106Z	E CAPACITOR	10MF 20% 50V	
	C 136	QETM1VM-108	E.CAPACITOR	1000MF 20% 35V			C 401	QETN0JM-477Z	E CAPACITOR	470MF 20% 6.3V	
	C 141	QETN1EM-107Z	E CAPACITOR	100MF 20% 25V			C 402	NCF31CZ-104X	C CAPACITOR		
	C 145	QETN1EM-107Z	E CAPACITOR	100MF 20% 25V			C 404	QFVF1HJ-104Z	MF CAPACITOR	.10MF 5% 50V	
	C 151	QETN1EM-107Z	E CAPACITOR	100MF 20% 25V			C 405	QFVF1HJ-104Z	MF CAPACITOR	.10MF 5% 50V	
	C 158	NCB31HK-103X	C CAPACITOR				C 406	QFVF1HJ-104Z	MF CAPACITOR	.10MF 5% 50V	
	C 159	QETN1HM-106Z	E CAPACITOR	10MF 20% 50V			C 407	QFVF1HJ-104Z	MF CAPACITOR	.10MF 5% 50V	
	C 161	QETN1EM-107Z	E CAPACITOR	100MF 20% 25V			C 408	QFVF1HJ-104Z	MF CAPACITOR	.10MF 5% 50V	
	C 162	QEKC1EM-476Z	E CAPACITOR	47MF 20% 25V			C 409	QETN0JM-477Z	E CAPACITOR	470MF 20% 6.3V	
	C 163	QEKC1EM-476Z	E CAPACITOR	47MF 20% 25V			C 410	QETN0JM-477Z	E CAPACITOR	470MF 20% 6.3V	
	C 164	QEKC1EM-476Z	E CAPACITOR	47MF 20% 25V			C 411	NCF31CZ-104X	C CAPACITOR		
	C 171	QETN1EM-107Z	E CAPACITOR	100MF 20% 25V			C 412	QETN0JM-477Z	E CAPACITOR	470MF 20% 6.3V	
	C 181	QETN1CM-477Z	E CAPACITOR	470MF 20% 16V			C 413	NCF31CZ-104X	C CAPACITOR		
	C 182	QEKC1EM-476Z	E CAPACITOR	47MF 20% 25V			C 421	QETN0JM-477Z	E CAPACITOR	470MF 20% 6.3V	
	C 183	NCB31HK-122X	C CAPACITOR				C 422	QETN0JM-477Z	E CAPACITOR	470MF 20% 6.3V	
	C 184	NCB31HK-122X	C CAPACITOR				C 423	QETN0JM-108Z	E CAPACITOR	1000MF 20% 6.3V	
	C 191	QETN1HM-227Z	E CAPACITOR	220MF 20% 50V			C 760	QETN0JM-228Z	E CAPACITOR	2200MF 20% 6.3V	
	C 192	QETN1EM-477Z	E CAPACITOR	470MF 20% 25V			C 765	NCB31HK-223X	C CAPACITOR		
	C 193	QETN1HM-227Z	E CAPACITOR	220MF 20% 50V			C 766	QEKC1HM-225Z	E CAPACITOR	2.2MF 20% 50V	
	C 194	QETN1EM-477Z	E CAPACITOR	470MF 20% 25V			C 767	QEKC0JM-107Z	E CAPACITOR	100MF 20% 6.3V	
	C 195	QETN1HM-227Z	E CAPACITOR	220MF 20% 50V			C 768	QCZ0202-155Z	ML C CAPA I/M	1.5MF	
	C 196	QETN1EM-477Z	E CAPACITOR	470MF 20% 25V			C 791	NCB31HK-221X	C CAPACITOR		
	C 197	QEKC1EM-476Z	E CAPACITOR	47MF 20% 25V			C 792	QCZ0202-155Z	ML C CAPA I/M	1.5MF	
	C 301	NCB31HK-331X	C CAPACITOR				CN114	QGF1205C1-13	CONNECTOR	FOR PANECOM	
	C 302	NCB31HK-331X	C CAPACITOR				CN121	QGA3901C1-08	CONNECTOR	FROM S2	
	C 303	NCB31HK-331X	C CAPACITOR				CN122	QGA2501C3-02Z	2P CONNECTOR	FOR FAN	
	C 304	NCB31HK-331X	C CAPACITOR				CN125	QGF1205C1-10	CONNECTOR	FROM PRIMARY	
	C 305	NCB31HK-331X	C CAPACITOR				CN212	QGB2510J1-10	CONNECTOR	FOR POWER AMP	
	C 306	NCB31HK-331X	C CAPACITOR				CN231	QGA2501C1-08	8P CONNECTOR	FOR PRI AMP	
	C 307	NCB31HK-331X	C CAPACITOR				CN241	QGD2501C1-04Z	SOCKET	FOR POSISTOR	
	C 308	NCB31HK-331X	C CAPACITOR				CN291	QGD2501C1-03Z	SOCKET	FOR H.P	
	C 321	NCB31HK-331X	C CAPACITOR				CN301	QGF1205C1-11	CONNECTOR	FOR TUNER	
	C 322	NCB31HK-331X	C CAPACITOR				CN402	QGF1205F1-14	CONNECTOR		
	C 323	NCB31HK-221X	C CAPACITOR				CN412	QGF1205C1-14	CONNECTOR	FOR C/S JACK	
	C 324	NCB31HK-221X	C CAPACITOR				CN512	QGB2027M9-26	B TO B CONNE	FROM DVD UNIT	
	C 325	NCB31HK-331X	C CAPACITOR				CN513	QGB2027M9-26	B TO B CONNE	FROM DVD UNIT	
	C 326	NCB31HK-331X	C CAPACITOR				CN612	QGB2510J1-13	CONNECTOR	FOR DSP	
	C 327	NCB31HK-221X	C CAPACITOR				CN614	QGF1205C1-12	CONNECTOR	FOR DSP	
	C 328	NCB31HK-221X	C CAPACITOR				C1101	NCS31HJ-101X	C.CAPA. C.M		
	C 341	NCS31HJ-101X	C.CAPA. C.M				C1102	NCS31HJ-101X	C.CAPA. C.M		
	C 343	NCB31HK-562X	C CAPACITOR				C1103	NCS31HJ-101X	C.CAPA. C.M		
	C 344	NCB31HK-562X	C CAPACITOR				C1104	NCS31HJ-101X	C.CAPA. C.M		
	C 361	NCB31AK-154X	C CAPACITOR				C1191	QEKC0JM-107Z	E CAPACITOR	100MF 20% 6.3V	
	C 362	NCB31AK-154X	C CAPACITOR				C1192	QEKC0JM-107Z	E CAPACITOR	100MF 20% 6.3V	
	C 363	NCB31AK-154X	C CAPACITOR				C1193	QEKC0JM-107Z	E CAPACITOR	100MF 20% 6.3V	
	C 364	NCB31AK-154X	C CAPACITOR				C1194	QEKC0JM-107Z	E CAPACITOR	100MF 20% 6.3V	
	C 365	NCB31HK-272X	C CAPACITOR				C1195	QETN1CM-477Z	E CAPACITOR	470MF 20% 16V	
	C 366	NCB31HK-272X	C CAPACITOR				C1196	QETN0JM-108Z	E CAPACITOR	1000MF 20% 6.3V	
	C 367	QEKC1HM-106Z	E CAPACITOR	10MF 20% 50V			C1381	QEKC1HM-475Z	E CAPACITOR	4.7MF 20% 50V	
	C 368	QEKC1HM-106Z	E CAPACITOR	10MF 20% 50V			C1382	QEKC1HM-475Z	E CAPACITOR	4.7MF 20% 50V	
	C 369	QEKC1EM-476Z	E CAPACITOR	47MF 20% 25V			C1383	NCF31CZ-104X	C CAPACITOR		
	C 370	QEKC1EM-476Z	E CAPACITOR	47MF 20% 25V			C1384	NCF31CZ-104X	C CAPACITOR		
	C 371	NCB31HK-223X	C CAPACITOR				C1385	QEKC1HM-225Z	E CAPACITOR	2.2MF 20% 50V	
	C 372	NCB31HK-223X	C CAPACITOR				C1387	QETN1HM-106Z	E CAPACITOR	10MF 20% 50V	
	C 373	QEKC1EM-476Z	E CAPACITOR	47MF 20% 25V			C1388	QETN1HM-106Z	E CAPACITOR	10MF 20% 50V	
	C 374	NCB31HK-223X	C CAPACITOR				C1391	QEKC0JM-107Z	E CAPACITOR	100MF 20% 6.3V	
	C 375	NCB31HK-102X	C CAPACITOR				C1401	NCS31HJ-470X	C.CAPA. C.M		
	C 376	NCS31HJ-101X	C.CAPA. C.M				C1402	QETN1AM-477Z	E CAPACITOR	470MF 20% 10V	
	C 381	QTE1H28-475Z	E CAPACITOR	4.7MF 20% 50V			C1403	QETN0JM-477Z	E CAPACITOR	470MF 20% 6.3V	
	C 382	QTE1H28-475Z	E CAPACITOR	4.7MF 20% 50V			C1405	QETN0JM-477Z	E CAPACITOR	470MF 20% 6.3V	

## ■ Electrical parts list (Main board)

Block No. 01

△	Item	Parts number	Parts name	Remarks	Area	△	Item	Parts number	Parts name	Remarks	Area
	C1406	QETN0JM-477Z	E CAPACITOR	470MF 20% 6.3V			D1391	MA111-X	DIODE C.M		
	C1407	QETN0JM-477Z	E CAPACITOR	470MF 20% 6.3V			D1392	MTZJ4.7C-T2	Z.DIODE I.M		
	C1408	QETN0JM-477Z	E CAPACITOR	470MF 20% 6.3V			D1401	MA111-X	DIODE C.M		
	C1409	QETN0JM-477Z	E CAPACITOR	470MF 20% 6.3V			D1402	MA111-X	DIODE C.M		
	C1410	QETN0JM-477Z	E CAPACITOR	470MF 20% 6.3V			EP101	QNZ0136-001Z	EARTH PLATE		
	C1411	NCS31HJ-470X	C.CAPA. C.M				EP191	QNZ0136-001Z	EARTH PLATE		
	C1412	QETN1AM-477Z	E CAPACITOR	470MF 20% 10V			FC130	QNG0020-001Z	FUSE CLIP	FOR F131	
	C1421	QEKC1HM-475Z	E CAPACITOR	4.7MF 20% 50V			FC131	QNG0020-001Z	FUSE CLIP	FOR F131	
	C1431	QEKC1HM-475Z	E CAPACITOR	4.7MF 20% 50V			FC132	QNG0020-001Z	FUSE CLIP	FOR F132	
	C1441	QFLC1HJ-473Z	M CAPACITOR	.047MF 5% 50V			FC133	QNG0020-001Z	FUSE CLIP	FOR F132	
	C1442	QETN1AM-477Z	E CAPACITOR	470MF 20% 10V			HS141	E70306-001	HEAT SINK		
	C1443	NCS31HJ-470X	C.CAPA. C.M				HS145	E70306-001	HEAT SINK		
	C1444	NCS31HJ-470X	C.CAPA. C.M				HS151	E70306-001	HEAT SINK		
	C1445	QETN0JM-477Z	E CAPACITOR	470MF 20% 6.3V			HS152	E70306-001	HEAT SINK		
	C1446	QETN0JM-477Z	E CAPACITOR	470MF 20% 6.3V			HS154	E70306-001	HEAT SINK		
	C1451	QFLC1HJ-473Z	M CAPACITOR	.047MF 5% 50V			HS161	E70306-001	HEAT SINK		
	C1452	QETN1AM-477Z	E CAPACITOR	470MF 20% 10V			HS162	E70306-001	HEAT SINK		
	C1453	NCS31HJ-470X	C.CAPA. C.M				HS165	E70306-001	HEAT SINK		
	C1454	NCS31HJ-470X	C.CAPA. C.M				HS181	E70306-001	HEAT SINK		
	C1461	QFLC1HJ-473Z	M CAPACITOR	.047MF 5% 50V			HS182	E70306-001	HEAT SINK		
	C1462	QEKC1HM-475Z	E CAPACITOR	4.7MF 20% 50V		△	IC191	SI-8033JF	IC		
	C1471	QFLC1HJ-473Z	M CAPACITOR	.047MF 5% 50V		△	IC192	SI-8050JF-F1	IC		
	C1472	QEKC1HM-475Z	E CAPACITOR	4.7MF 20% 50V		△	IC193	SI-8090JF	IC		
	C1491	QETN1CM-477Z	E CAPACITOR	470MF 20% 16V			IC301	M61516FP	IC	ANALOG SW/VOLUM	
	C1492	NCF31CZ-104X	C CAPACITOR				IC303	BA15218F-XE	IC		
	D 125	11ES2-T4	DIODE I.M				IC401	LA73054-X	IC	VIDEO DRIVER	
	D 126	11ES2-T4	DIODE I.M				IC402	NJM2246M-X	IC		
	D 127	11ES2-T4	DIODE I.M				IC403	NJM2246M-X	IC		
	D 128	MA111-X	DIODE C.M				IC404	NJM2246M-X	IC		
△	D 131	10E2-FD	DIODE				IC761	MN101C49GKG	SYSTEM MICOM		
△	D 132	10E2-FD	DIODE				IC763	IC-PST9139-T	IC I.M		
△	D 133	11ES2-T4	DIODE I.M				J 301	QNN0478-001	PIN JACK		
△	D 134	11ES2-T4	DIODE I.M				J 302	QNN0478-001	PIN JACK		
	D 141	MTZJ5.6C-T2	ZENER DIODE				J 401	QNN0479-001	PIN JACK	COMPONENT	
	D 145	MTZJ6.2C-T2	Z DIODE I/M				J 402	QNN0482-001	PIN JACK	MONITOR OUT/DBS	
	D 151	MTZJ5.6C-T2	ZENER DIODE				J 403	QNN0482-001	PIN JACK	VCR IN/OUT	
	D 155	MA111-X	DIODE C.M				J 404	QND0091-001	S JACK	MONITOR OUT/DBS	
	D 156	MTZJ16C-T2	Z.DIODE I.M				J 405	QND0091-001	S JACK	VCR IN/OUT	
	D 157	MTZJ13C-T2	ZENER DIODE				J 791	QNS0089-001	3.5 JACK		
	D 158	MTZJ10C-T2	Z.DIODE I.M				K 401	NRSA63J-0R0X	MG RESISTOR		
	D 159	MTZJ7.5C-T2	ZENER DIODE				K 402	NRSA63J-0R0X	MG RESISTOR		
	D 161	MTZJ13C-T2	ZENER DIODE				K 403	NRSA63J-0R0X	MG RESISTOR		
	D 162	MTZJ13C-T2	ZENER DIODE				K 404	NRSA63J-0R0X	MG RESISTOR		
	D 163	MTZJ7.5C-T2	ZENER DIODE				K 405	NRSA63J-0R0X	MG RESISTOR		
	D 164	MTZJ7.5C-T2	ZENER DIODE				K 406	NRSA63J-0R0X	MG RESISTOR		
	D 171	MTZJ11C-T2	Z.DIODE I.M				L 191	QQL28AK-101	CHOKE COIL		
	D 172	MA111-X	DIODE C.M				L 192	QQL28AK-101	CHOKE COIL		
	D 181	MTZJ13C-T2	ZENER DIODE				L 193	QQL28AK-101	CHOKE COIL		
	D 182	MTZJ5.6C-T2	ZENER DIODE				L 197	QQL244K-100Z	INDUCTOR		
	D 187	MTZJ3.9B-T2	ZENER DIODE				L 198	QQL244K-100Z	INDUCTOR		
	D 188	MTZJ5.6C-T2	ZENER DIODE				L 341	QQR0590-001	FILTER		
	D 189	MTZJ10C-T2	Z.DIODE I.M				L 342	QQR0590-001	FILTER		
△	D 191	SFPB-54-W	DIODE			△	Q 141	2SD2395/EF/	TRANSISTOR		
△	D 192	SFPB-54-W	DIODE				Q 142	KRA102S-X	DIGITAL.TR	TV DIRECT	
△	D 193	SFPB-54-W	DIODE				Q 143	KRC102S-X	DIGITAL.TR	TV DIRECT	
	D 194	MTZJ5.6C-T2	ZENER DIODE			△	Q 145	2SD2395/EF/	TRANSISTOR		
	D 195	MA111-X	DIODE C.M			△	Q 151	2SD2395/EF/	TRANSISTOR		
	D 196	MA111-X	DIODE C.M			△	Q 152	2SD2395/EF/	TRANSISTOR		
	D 197	MA111-X	DIODE C.M			△	Q 153	KRA102S-X	DIGITAL.TR	TV DIRECT	
	D 291	MA111-X	DIODE C.M			△	Q 154	2SD2395/EF/	TRANSISTOR		
	D 761	MA111-X	DIODE C.M				Q 155	KRA102S-X	DIGITAL.TR		
	D 762	MA111-X	DIODE C.M				Q 156	KRC102S-X	DIGITAL.TR		
	D 791	MTZJ6.2C-T2	Z DIODE I/M				Q 157	KRC102S-X	DIGITAL.TR		

## ■ Electrical parts list (Main board)

Block No. 01

△	Item	Parts number	Parts name	Remarks	Area	△	Item	Parts number	Parts name	Remarks	Area
	Q 158	KRC102S-X	DIGITAL.TR				R 165	QRZ9005-100X	F RESISTOR	10 1/4W	
	Q 159	KRC102S-X	DIGITAL.TR				R 166	QRZ9005-100X	F RESISTOR	10 1/4W	
△	Q 161	2SD2395/EF/	TRANSISTOR				R 167	QRJ146J-222X	UNF C RESISTOR	2.2K 5% 1/4W	
△	Q 162	KTA1046/Y/	TRANSISTOR				R 168	QRJ146J-222X	UNF C RESISTOR	2.2K 5% 1/4W	
△	Q 163	KTC3203/OY/-T	TRANSISTOR				R 169	QRJ146J-2R2X	UNF C RESISTOR	2.2 5% 1/4W	
△	Q 164	KTA1271/OY/-T	TRANSISTOR				R 170	QRJ146J-2R2X	UNF C RESISTOR	2.2 5% 1/4W	
△	Q 165	2SD2395/EF/	TRANSISTOR				R 171	QRZ9005-100X	F RESISTOR	10 1/4W	
△	Q 171	KTC3203/OY/-T	TRANSISTOR				R 172	QRJ146J-182X	UNF C RESISTOR	1.8K 5% 1/4W	
	Q 172	KRA102S-X	DIGITAL.TR	TV DIRECT			R 181	QRZ9006-4R7X	F RESISTOR	4.7 1/4W	
	Q 173	KRC102S-X	DIGITAL.TR	TV DIRECT			R 182	QRZ9006-4R7X	F RESISTOR	4.7 1/4W	
△	Q 181	2SD2395/EF/	TRANSISTOR				R 183	QRJ146J-182X	UNF C RESISTOR	1.8K 5% 1/4W	
△	Q 182	2SD2395/EF/	TRANSISTOR				R 184	QRJ146J-2R2X	UNF C RESISTOR	2.2 5% 1/4W	
△	Q 183	2SD2395/EF/	TRANSISTOR				R 185	QRJ146J-2R2X	UNF C RESISTOR	2.2 5% 1/4W	
	Q 191	KRC102S-X	DIGITAL.TR				R 186	QRZ9005-100X	F RESISTOR	10 1/4W	
	Q 192	KRC102S-X	DIGITAL.TR				R 187	QRJ146J-222X	UNF C RESISTOR	2.2K 5% 1/4W	
	Q 193	KRC102S-X	DIGITAL.TR				R 191	QRK126J-100X	C RESISTOR	10 5% 1/2W	
△	Q 194	KTC3203/OY/-T	TRANSISTOR				R 192	QRJ146J-222X	UNF C RESISTOR	2.2K 5% 1/4W	
	Q 381	2SC3576-JVC-T	TRANSISTOR I/M			△	R 290	QRJ146J-181X	UNF C RESISTOR	180 5% 1/4W	
	Q 382	2SC3576-JVC-T	TRANSISTOR I/M				R 301	NRSA63J-471X	MG RESISTOR		
	Q 383	2SC3576-JVC-T	TRANSISTOR I/M				R 302	NRSA63J-471X	MG RESISTOR		
	Q 384	2SC3576-JVC-T	TRANSISTOR I/M				R 303	NRSA63J-473X	MG RESISTOR		
	Q 385	2SC3576-JVC-T	TRANSISTOR I/M				R 304	NRSA63J-473X	MG RESISTOR		
	Q 386	KRA104S-X	DIGITAL.TR				R 305	NRSA63J-471X	MG RESISTOR		
	Q 434	KRA107S-X	TR.I.M.				R 306	NRSA63J-471X	MG RESISTOR		
	Q 765	KRC102S-X	DIGITAL.TR				R 307	NRSA63J-473X	MG RESISTOR		
	Q 766	KRC105S-X	CHIP D.TR.C.M				R 308	NRSA63J-473X	MG RESISTOR		
	Q 767	KRC105S-X	CHIP D.TR.C.M				R 309	NRSA63J-471X	MG RESISTOR		
	Q 768	KRC105S-X	CHIP D.TR.C.M				R 310	NRSA63J-471X	MG RESISTOR		
	Q 769	KRC105S-X	CHIP D.TR.C.M				R 311	NRSA63J-473X	MG RESISTOR		
	Q 771	KRC107S-X	DIGITAL.TR				R 312	NRSA63J-473X	MG RESISTOR		
	Q 799	KRC102S-X	DIGITAL.TR				R 313	NRSA63J-471X	MG RESISTOR		
	Q1381	2SC3576-JVC-T	TRANSISTOR I/M				R 314	NRSA63J-471X	MG RESISTOR		
	Q1382	2SC3576-JVC-T	TRANSISTOR I/M				R 315	NRSA63J-473X	MG RESISTOR		
	Q1383	KRA104S-X	DIGITAL.TR				R 316	NRSA63J-473X	MG RESISTOR		
	Q1401	KTC3199/GL/-T	TRANSISTOR				R 321	NRSA63J-471X	MG RESISTOR		
	Q1402	2SK301/QR/-T	FET I/M				R 322	NRSA63J-471X	MG RESISTOR		
	Q1403	KRC104M-T	D.TR.I.M				R 323	NRSA63J-471X	MG RESISTOR		
	Q1411	KTC3199/GL/-T	TRANSISTOR				R 324	NRSA63J-471X	MG RESISTOR		
	Q1412	KRC107M-T	D.TR.I.M				R 341	NRSA63J-102X	MG RESISTOR		
	Q1441	KTC3199/GL/-T	TRANSISTOR				R 342	NRSA63J-102X	MG RESISTOR		
	Q1442	KTC3199/GL/-T	TRANSISTOR				R 343	NRSA63J-682X	MG RESISTOR		
	Q1443	2SK301/QR/-T	FET I/M				R 344	NRSA63J-682X	MG RESISTOR		
	Q1444	2SK301/QR/-T	FET I/M				R 345	NRSA63J-473X	MG RESISTOR		
	Q1451	KTC3199/GL/-T	TRANSISTOR				R 346	NRSA63J-473X	MG RESISTOR		
	Q1452	KTC3199/GL/-T	TRANSISTOR				R 361	NRSA63J-752X	MG RESISTOR		
	Q1453	KRC107M-T	D.TR.I.M				R 362	NRSA63J-752X	MG RESISTOR		
	Q1454	KRC107M-T	D.TR.I.M				R 381	NRSA63J-104X	MG RESISTOR		
△	R 141	QRZ9005-120X	F RESISTOR	12 1/4W			R 382	NRSA63J-104X	MG RESISTOR		
△	R 142	QRJ146J-682X	UNF C RESISTOR	6.8K 5% 1/4W			R 383	NRSA63J-102X	MG RESISTOR		
△	R 145	QRZ9005-120X	F RESISTOR	12 1/4W			R 384	NRSA63J-102X	MG RESISTOR		
△	R 146	QRJ146J-272X	UNF C RESISTOR	2.7K 5% 1/4W			R 385	NRSA63J-103X	MG RESISTOR		
△	R 151	QRZ9006-4R7X	F RESISTOR	4.7 1/4W			R 386	NRSA63J-103X	MG RESISTOR		
△	R 152	QRZ9006-4R7X	F RESISTOR	4.7 1/4W			R 387	NRSA63J-104X	MG RESISTOR		
△	R 153	QRJ146J-332X	UNF C RESISTOR	3.3K 5% 1/4W			R 388	NRSA63J-104X	MG RESISTOR		
△	R 154	QRJ146J-2R2X	UNF C RESISTOR	2.2 5% 1/4W			R 389	NRSA63J-102X	MG RESISTOR		
△	R 155	QRJ146J-2R2X	UNF C RESISTOR	2.2 5% 1/4W			R 390	NRSA63J-102X	MG RESISTOR		
△	R 158	QRZ9005-100X	F RESISTOR	10 1/4W			R 391	NRSA63J-103X	MG RESISTOR		
△	R 159	QRJ146J-182X	UNF C RESISTOR	1.8K 5% 1/4W			R 392	NRSA63J-103X	MG RESISTOR		
△	R 160	QRJ146J-182X	UNF C RESISTOR	1.8K 5% 1/4W			R 393	NRSA63J-104X	MG RESISTOR		
△	R 161	QRZ9006-4R7X	F RESISTOR	4.7 1/4W			R 394	NRSA63J-102X	MG RESISTOR		
△	R 162	QRZ9005-100X	F RESISTOR	10 1/4W			R 395	NRSA63J-103X	MG RESISTOR		
△	R 163	QRZ9006-4R7X	F RESISTOR	4.7 1/4W			R 396	NRSA63J-102X	MG RESISTOR		
△	R 164	QRJ146J-182X	UNF C RESISTOR	1.8K 5% 1/4W			R 400	NRSA63J-0R0X	MG RESISTOR		

## ■ Electrical parts list (Main board)

Block No. 01

△	Item	Parts number	Parts name	Remarks	Area
	R 401	NRSA63J-0R0X	MG RESISTOR		
	R 402	NRSA63J-360X	C RESISTOR		
	R 403	NRSA63J-103X	MG RESISTOR		
	R 404	NRSA63J-103X	MG RESISTOR		
	R 405	NRSA63J-0R0X	MG RESISTOR		
	R 406	NRSA63J-330X	MG RESISTOR		
	R 407	NRSA63J-0R0X	MG RESISTOR		
	R 408	NRSA63J-360X	C RESISTOR		
	R 409	NRSA63J-0R0X	MG RESISTOR		
	R 410	NRSA63J-360X	C RESISTOR		
	R 411	NRSA63J-103X	MG RESISTOR		
	R 413	NRSA63J-103X	MG RESISTOR		
	R 415	NRSA63J-103X	MG RESISTOR		
	R 421	NRSA63J-473X	MG RESISTOR		
	R 422	NRSA63J-750X	MG RESISTOR		
	R 423	NRSA63J-473X	MG RESISTOR		
	R 424	NRSA63J-750X	MG RESISTOR		
	R 425	NRSA63J-473X	MG RESISTOR		
	R 426	NRSA63J-750X	MG RESISTOR		
	R 760	NRSA63J-331X	MG RESISTOR		
	R 776	NRSA63J-221X	MG RESISTOR		
	R 777	NRSA63J-103X	MG RESISTOR		
	R 778	NRSA63J-223X	MG RESISTOR		
	R 779	NRSA63J-472X	MG RESISTOR		
	R 780	NRSA63J-103X	MG RESISTOR		
	R 781	NRSA63J-103X	MG RESISTOR		
	R 782	NRSA63J-103X	MG RESISTOR		
	R 783	NRSA63J-103X	MG RESISTOR		
	R 784	NRSA63J-103X	MG RESISTOR		
	R 791	NRSA63J-221X	MG RESISTOR		
	R 792	NRSA63J-103X	MG RESISTOR		
	R 793	NRSA63J-103X	MG RESISTOR		
	R 794	NRSA63J-103X	MG RESISTOR		
	R 798	NRSA63J-153X	MG RESISTOR		
	R 799	NRSA63J-333X	MG RESISTOR		
△	RY291	QSK0109-001	RELAY		
	R1101	NRSA63J-0R0X	MG RESISTOR		
	R1102	NRSA63J-0R0X	MG RESISTOR		
	R1103	NRSA63J-0R0X	MG RESISTOR		
	R1104	NRSA63J-0R0X	MG RESISTOR		
	R1106	NRSA63J-0R0X	MG RESISTOR		
	R1107	NRSA63J-0R0X	MG RESISTOR		
	R1108	NRSA63J-0R0X	MG RESISTOR		
	R1122	NRSA63J-0R0X	MG RESISTOR		
	R1123	NRSA63J-0R0X	MG RESISTOR		
	R1124	NRSA63J-221X	MG RESISTOR		
	R1125	NRSA63J-221X	MG RESISTOR		
	R1126	NRSA63J-221X	MG RESISTOR		
	R1127	NRSA63J-0R0X	MG RESISTOR		
	R1128	NRSA63J-221X	MG RESISTOR		
	R1130	NRSA63J-221X	MG RESISTOR		
	R1132	NRSA63J-0R0X	MG RESISTOR		
	R1134	NRSA63J-0R0X	MG RESISTOR		
	R1135	NRSA63J-0R0X	MG RESISTOR		
	R1136	NRSA63J-0R0X	MG RESISTOR		
	R1137	NRSA63J-0R0X	MG RESISTOR		
	R1138	NRSA63J-0R0X	MG RESISTOR		
	R1381	NRSA63J-104X	MG RESISTOR		
	R1382	NRSA63J-273X	MG RESISTOR		
	R1383	NRSA63J-102X	MG RESISTOR		
	R1384	NRSA63J-104X	MG RESISTOR		
	R1385	NRSA63J-102X	MG RESISTOR		
	R1386	NRSA63J-102X	MG RESISTOR		

△	Item	Parts number	Parts name	Remarks	Area
	R1387	NRSA63J-103X	MG RESISTOR		
	R1388	NRSA63J-103X	MG RESISTOR		
	R1389	NRSA63J-102X	MG RESISTOR		
	R1391	NRSA63J-822X	MG RESISTOR		
	R1392	NRSA63J-822X	MG RESISTOR		
	R1393	NRSA63J-822X	MG RESISTOR		
	R1394	NRSA63J-822X	MG RESISTOR		
	R1395	NRSA63J-822X	MG RESISTOR		
	R1397	NRSA63J-124X	MG RESISTOR		
	R1398	NRSA63J-103X	MG RESISTOR		
	R1399	NRSA63J-103X	MG RESISTOR		
	R1401	NRSA63J-750X	MG RESISTOR		
	R1402	NRSA63J-473X	MG RESISTOR		
	R1403	NRSA63J-241X	MG RESISTOR		
	R1405	NRSA63J-750X	MG RESISTOR		
	R1406	NRSA63J-750X	MG RESISTOR		
	R1407	NRSA63J-750X	MG RESISTOR		
	R1408	NRSA63J-750X	MG RESISTOR		
	R1409	NRSA63J-750X	MG RESISTOR		
	R1410	NRSA63J-750X	MG RESISTOR		
	R1411	NRSA63J-750X	MG RESISTOR		
	R1412	NRSA63J-473X	MG RESISTOR		
	R1413	NRSA63J-241X	MG RESISTOR		
	R1414	NRSA63J-751X	MG.RES C.M		
	R1419	NRSA63J-221X	MG RESISTOR		
	R1420	NRSA63J-221X	MG RESISTOR		
	R1421	NRSA63J-750X	MG RESISTOR		
	R1422	NRSA63J-331X	MG RESISTOR		
	R1431	NRSA63J-750X	MG RESISTOR		
	R1432	NRSA63J-331X	MG RESISTOR		
	R1441	NRSA63J-750X	MG RESISTOR		
	R1442	NRSA63J-750X	MG RESISTOR		
	R1443	NRSA63J-473X	MG RESISTOR		
	R1444	NRSA63J-473X	MG RESISTOR		
	R1445	NRSA63J-431X	MG RESISTOR		
	R1446	NRSA63J-241X	MG RESISTOR		
	R1447	NRSA63J-102X	MG RESISTOR		
	R1448	NRSA63J-102X	MG RESISTOR		
	R1451	NRSA63J-750X	MG RESISTOR		
	R1452	NRSA63J-750X	MG RESISTOR		
	R1453	NRSA63J-473X	MG RESISTOR		
	R1454	NRSA63J-473X	MG RESISTOR		
	R1455	NRSA63J-431X	MG RESISTOR		
	R1456	NRSA63J-241X	MG RESISTOR		
	R1457	NRSA63J-751X	MG.RES C.M		
	R1458	NRSA63J-751X	MG.RES C.M		
	R1461	NRSA63J-750X	MG RESISTOR		
	R1462	NRSA63J-750X	MG RESISTOR		
	R1471	NRSA63J-750X	MG RESISTOR		
	R1472	NRSA63J-750X	MG RESISTOR		
	R1481	NRSA63J-103X	MG RESISTOR		
	R1482	NRSA63J-103X	MG RESISTOR		
	R1483	NRSA63J-103X	MG RESISTOR		
	R1484	NRSA63J-822X	MG RESISTOR		
	R1485	NRSA63J-104X	MG RESISTOR		
△	R1491	QRJ146J-2R2X	UNF C RESISTOR	2.2 5% 1/4W	
	R1731	NRSA63J-562X	MG RESISTOR		
	R1732	NRSA63J-562X	MG RESISTOR		
	R1733	NRSA63J-103X	MG RESISTOR		
	R1734	NRSA63J-103X	MG RESISTOR		
	X 761	QAX0246-001Z	C RESONATOR		

## ■ Electrical parts list (Amp. board)

Block No. 02

△	Item	Parts number	Parts name	Remarks	Area	△	Item	Parts number	Parts name	Remarks	Area
	C 101	QFLC2AJ-472Z	M CAPACITOR	4700PF 5% 100V			C1222	QETN2AM-107Z	E CAPACITOR	100MF 20% 100V	
	C 102	QETN1EM-477Z	E CAPACITOR	470MF 20% 25V			C1223	QCS31HJ-101Z	C CAPACITOR	100PF 5% 50V	
△	C 103	QCZ9104-472	C CAPACITOR	4700PF			C1224	QCS31HJ-101Z	C CAPACITOR	100PF 5% 50V	
	C 104	QETN1CM-477Z	E CAPACITOR	470MF 20% 16V			C1241	QFLC1HJ-473Z	M CAPACITOR	.047MF 5% 50V	
	C 111	QFZ9076-104Z	MM CAPACITOR	.10MF			C1242	QFLC1HJ-473Z	M CAPACITOR	.047MF 5% 50V	
	C 112	QCE22HP-103	C CAPACITOR	.010MF +100-0%			C1243	QFLC1HJ-473Z	M CAPACITOR	.047MF 5% 50V	
	C 113	QCE22HP-103	C CAPACITOR	.010MF +100-0%			C1244	QFLC1HJ-473Z	M CAPACITOR	.047MF 5% 50V	
	C 115	QFZ9076-104Z	MM CAPACITOR	.10MF			C2201	QFLC1HJ-471Z	M CAPACITOR	470PF 5% 50V	
	C 116	QCE22HP-103	C CAPACITOR	.010MF +100-0%			C2203	QEKC1HM-225Z	E CAPACITOR	2.2MF 20% 50V	
	C 117	QCE22HP-103	C CAPACITOR	.010MF +100-0%			C2205	QEKC1AM-107Z	E CAPACITOR	100MF 20% 10V	
	C 119	QFLC1HJ-473Z	M CAPACITOR	.047MF 5% 50V			C2207	QCS31HJ-3R0Z	C CAPACITOR	3.0PF 5% 50V	
	C 120	QFLC1HJ-473Z	M CAPACITOR	.047MF 5% 50V			C2223	QCS31HJ-101Z	C CAPACITOR	100PF 5% 50V	
	C 121	QETN2AM-107Z	E CAPACITOR	100MF 20% 100V			C2241	QFLC1HJ-473Z	M CAPACITOR	.047MF 5% 50V	
	C 122	QETN1HM-476Z	E CAPACITOR	47MF 20% 50V			C2243	QFLC1HJ-473Z	M CAPACITOR	.047MF 5% 50V	
	C 123	QEKC1HM-105Z	E CAPACITOR	1.0MF 20% 50V		△	D 101	11ES2-T4	DIODE I.M		
	C 200	QCZ0202-155Z	ML C CAPA I/M	1.5MF		△	D 102	11ES2-T4	DIODE I.M		
	C 201	QFLC1HJ-471Z	M CAPACITOR	470PF 5% 50V		△	D 103	11ES2-T4	DIODE I.M		
	C 202	QFLC1HJ-471Z	M CAPACITOR	470PF 5% 50V		△	D 104	11ES2-T4	DIODE I.M		
	C 203	QTE1H28-225Z	E CAPACITOR	2.2MF 20% 50V			D 105	1SS119-041-T2	SI DIODE		
	C 204	QTE1H28-225Z	E CAPACITOR	2.2MF 20% 50V			D 108	1SS119-041-T2	SI DIODE		
	C 205	QEKC1AM-107Z	E CAPACITOR	100MF 20% 10V			D 109	MTZJ6.8C-T2	Z DIODE I/M		
	C 206	QEKC1AM-107Z	E CAPACITOR	100MF 20% 10V		△	D 111	30DF2-FC	DIODE		
	C 207	QCS31HJ-3R0Z	C CAPACITOR	3.0PF 5% 50V		△	D 112	30DF2-FC	DIODE		
	C 208	QCS31HJ-3R0Z	C CAPACITOR	3.0PF 5% 50V		△	D 113	30DF2-FC	DIODE		
	C 211	QEZ0588-688	E.CAPACITOR	6800MF		△	D 114	30DF2-FC	DIODE		
	C 212	QEZ0588-688	E.CAPACITOR	6800MF		△	D 115	30DF2-FC	DIODE		
	C 213	QEZ0589-478	E CAPACITER	4700MF		△	D 116	30DF2-FC	DIODE		
	C 214	QEZ0589-478	E CAPACITER	4700MF		△	D 117	30DF2-FC	DIODE		
	C 221	QETN2AM-107Z	E CAPACITOR	100MF 20% 100V		△	D 118	30DF2-FC	DIODE		
	C 222	QETN2AM-107Z	E CAPACITOR	100MF 20% 100V			D 121	MTZJ30C-T2	ZENER DIODE		
	C 223	QCS31HJ-101Z	C CAPACITOR	100PF 5% 50V			D 122	MTZJ6.2C-T2	Z DIODE I/M		
	C 224	QCS31HJ-101Z	C CAPACITOR	100PF 5% 50V			D 221	MTZJ15C-T2	Z DIODE		
	C 231	QCB1HK-222Y	C CAPACITOR	2200PF 10% 50V			D 222	MTZJ15C-T2	Z DIODE		
	C 232	QCB1HK-222Y	C CAPACITOR	2200PF 10% 50V			D 229	1SS119-041-T2	SI DIODE		
	C 241	QFLC1HJ-473Z	M CAPACITOR	.047MF 5% 50V			D 230	1SS119-041-T2	SI DIODE		
	C 242	QFLC1HJ-473Z	M CAPACITOR	.047MF 5% 50V			D 261	1SS119-041-T2	SI DIODE		
	C 243	QFLC1HJ-473Z	M CAPACITOR	.047MF 5% 50V			D 271	1SS119-041-T2	SI DIODE		
	C 244	QFLC1HJ-473Z	M CAPACITOR	.047MF 5% 50V			D 293	1SS119-041-T2	SI DIODE		
	C 271	QEKC1EM-106Z	E CAPACITOR	10MF 20% 25V			D1221	MTZJ15C-T2	Z DIODE		
	C 272	QEKC1CM-476Z	E CAPACITOR	47MF 20% 16V			D1222	MTZJ15C-T2	Z DIODE		
	C 285	QETN2AM-106Z	E.CAPACITOR	10MF 20% 100V			D1229	1SS119-041-T2	SI DIODE		
	C 291	QEKC1EM-106Z	E CAPACITOR	10MF 20% 25V			D1230	1SS119-041-T2	SI DIODE		
	C 292	QEKC1CM-476Z	E CAPACITOR	47MF 20% 16V			D1261	1SS119-041-T2	SI DIODE		
	CN101	QGA7901C1-02	CONNECTOR				D2229	1SS119-041-T2	SI DIODE		
	CN111	QGA3901C1-05	CONNECTOR				D2261	1SS119-041-T2	SI DIODE		
	CN113	QJK012-051700	SIN CR C-B WIRE	CHIBITORA TO AM			EP102	QNZ0136-001Z	EARTH PLATE		
	CN115	QGF1205C1-10	CONNECTOR				EP103	QNZ0136-001Z	EARTH PLATE		
	CN201	QGA3901F2-05	5P CONNECTOR				FC100	QNG0020-001Z	FUSE CLIP	FOR F101	
	CN202	QGB2510J1-10	CONNECTOR				FC101	QNG0020-001Z	FUSE CLIP	FOR F101	
	CN203	QGB2510J1-05	CONNECTOR				IC201	JCV8007	IC	POWER AMP L/R	
	CN204	QGB2510J1-07	CONNECTOR				△	IC202	JCV8008	IC	POWER AMP CNT/S
	CN213	QGB2510K1-05	CONNECTOR				J 201	QNN0195-001	PIN JACK		
	CN214	QGB2510K1-07	CONNECTOR				L 241	QQLZ005-R45	INDUCTOR		
	CN222	WJP0040-001A	E-SH C WIRE C-B				L 242	QQLZ005-R45	INDUCTOR		
	C1201	QFLC1HJ-471Z	M CAPACITOR	470PF 5% 50V			L1241	QQLZ005-R45	INDUCTOR		
	C1202	QFLC1HJ-471Z	M CAPACITOR	470PF 5% 50V			L1242	QQLZ005-R45	INDUCTOR		
	C1203	QEKC1HM-225Z	E CAPACITOR	2.2MF 20% 50V			L2241	QQLZ005-R45	INDUCTOR		
	C1204	QEKC1HM-225Z	E CAPACITOR	2.2MF 20% 50V			Q 101	KRC105M-T	D.TR.I.M.		
	C1205	QEKC1AM-107Z	E CAPACITOR	100MF 20% 10V			△	Q 103	KTC3203/OY/-T	TRANSISTOR	
	C1206	QEKC1AM-107Z	E CAPACITOR	100MF 20% 10V			△	Q 121	KTA1046/Y/	TRANSISTOR	
	C1207	QCS31HJ-3R0Z	C CAPACITOR	3.0PF 5% 50V			Q 122	KTC3200/GL/-T	TRANSISTOR		
	C1208	QCS31HJ-3R0Z	C CAPACITOR	3.0PF 5% 50V			Q 231	KTC3200/GL/-T	TRANSISTOR		
	C1221	QETN2AM-107Z	E CAPACITOR	100MF 20% 100V			Q 232	KTC3200/GL/-T	TRANSISTOR		

■ Electrical parts list (Amp. board)

Block No. 02

△	Item	Parts number	Parts name	Remarks	Area
	Q 271	KTC3200/GL-T	TRANSISTOR		
	Q 272	KTA1268/GL-T	TRANSISTOR		
	Q 273	KTC3199/GL-T	TRANSISTOR		
	Q 285	KTA1268/GL-T	TRANSISTOR		
	Q 291	KTC3200/GL-T	TRANSISTOR		
	Q 292	KTA1268/GL-T	TRANSISTOR		
	Q 293	KTC3199/GL-T	TRANSISTOR		
	Q1231	KTC3200/GL-T	TRANSISTOR		
	Q1232	KTC3200/GL-T	TRANSISTOR		
	Q2231	KTC3200/GL-T	TRANSISTOR		
△	R 101	QRZ9037-335	F RESISTOR	3.3M 1/0W	
△	R 102	QRJ146J-100X	UNF C RESISTOR	10 5% 1/4W	
△	R 105	QRJ146J-821X	UNF C RESISTOR	820 5% 1/4W	
△	R 106	QRJ146J-100X	UNF C RESISTOR	10 5% 1/4W	
△	R 111	QRJ146J-2R2X	UNF C RESISTOR	2.2 5% 1/4W	
△	R 121	QRZ9005-100X	F RESISTOR	10 1/4W	
△	R 122	QRJ146J-682X	UNF C RESISTOR	6.8K 5% 1/4W	
△	R 123	QRJ146J-100X	UNF C RESISTOR	10 5% 1/4W	
	R 124	QRE141J-104Y	C RESISTOR	100K 5% 1/4W	
	R 201	QRE141J-102Y	C RESISTOR	1.0K 5% 1/4W	
	R 202	QRE141J-102Y	C RESISTOR	1.0K 5% 1/4W	
	R 203	QRE141J-563Y	C RESISTOR	56K 5% 1/4W	
	R 204	QRE141J-563Y	C RESISTOR	56K 5% 1/4W	
△	R 205	QRJ146J-471X	UNF C RESISTOR	470 5% 1/4W	
△	R 206	QRJ146J-471X	UNF C RESISTOR	470 5% 1/4W	
	R 207	QRE141J-563Y	C RESISTOR	56K 5% 1/4W	
	R 208	QRE141J-563Y	C RESISTOR	56K 5% 1/4W	
	R 209	QRE141J-333Y	C RESISTOR	33K 5% 1/4W	
△	R 221	QRJ146J-101X	UNF C RESISTOR	100 5% 1/4W	
△	R 222	QRJ146J-101X	UNF C RESISTOR	100 5% 1/4W	
△	R 223	QRL017J-152	000.OMF.RES.	1.5K 5% 1/1W	
△	R 224	QRL017J-152	000.OMF.RES.	1.5K 5% 1/1W	
△	R 225	QRZ0224-R22	EMIT.RESISTOR	1/2W	
△	R 226	QRZ0224-R22	EMIT.RESISTOR	1/2W	
	R 227	QRE141J-102Y	C RESISTOR	1.0K 5% 1/4W	
	R 228	QRE141J-102Y	C RESISTOR	1.0K 5% 1/4W	
	R 229	QRE141J-183Y	C RESISTOR	18K 5% 1/4W	
	R 230	QRE141J-183Y	C RESISTOR	18K 5% 1/4W	
	R 231	QRE141J-473Y	C RESISTOR	47K 5% 1/4W	
	R 232	QRE141J-473Y	C RESISTOR	47K 5% 1/4W	
△	R 233	QRJ146J-101X	UNF C RESISTOR	100 5% 1/4W	
△	R 234	QRJ146J-2R2X	UNF C RESISTOR	2.2 5% 1/4W	
△	R 235	QRJ146J-2R2X	UNF C RESISTOR	2.2 5% 1/4W	
△	R 236	QRJ146J-2R2X	UNF C RESISTOR	2.2 5% 1/4W	
△	R 237	QRJ146J-2R2X	UNF C RESISTOR	2.2 5% 1/4W	
	R 241	QRJ146J-330X	UNF C RESISTOR	33 5% 1/4W	
	R 242	QRJ146J-330X	UNF C RESISTOR	33 5% 1/4W	
△	R 243	QRL027J-100	UNF.OMF.RES.	10 5% 1/2W	
△	R 244	QRL027J-100	UNF.OMF.RES.	10 5% 1/2W	
△	R 261	QRJ146J-181X	UNF C RESISTOR	180 5% 1/4W	
	R 271	QRE141J-104Y	C RESISTOR	100K 5% 1/4W	
	R 272	QRE141J-823Y	C RESISTOR	82K 5% 1/4W	
	R 273	QRE141J-104Y	C RESISTOR	100K 5% 1/4W	
	R 274	QRE141J-104Y	C RESISTOR	100K 5% 1/4W	
	R 275	QRE141J-104Y	C RESISTOR	100K 5% 1/4W	
	R 276	QRE141J-104Y	C RESISTOR	100K 5% 1/4W	
	R 277	QRE141J-104Y	C RESISTOR	100K 5% 1/4W	
	R 278	QRE141J-103Y	C RESISTOR	10K 5% 1/4W	
	R 279	QRE141J-103Y	C RESISTOR	10K 5% 1/4W	
△	R 281	QRL027J-471	UNF OMF.RES.	470 5% 1/2W	
△	R 282	QRL027J-471	UNF OMF.RES.	470 5% 1/2W	
	R 285	QRE141J-103Y	C RESISTOR	10K 5% 1/4W	
	R 286	QRE141J-104Y	C RESISTOR	100K 5% 1/4W	

△	Item	Parts number	Parts name	Remarks	Area
	R 291	QRE141J-104Y	C RESISTOR	100K 5% 1/4W	
	R 292	QRE141J-104Y	C RESISTOR	100K 5% 1/4W	
	R 293	QRE141J-103Y	C RESISTOR	10K 5% 1/4W	
	R 294	QRE141J-103Y	C RESISTOR	10K 5% 1/4W	
	R 295	QRE141J-104Y	C RESISTOR	100K 5% 1/4W	
	R 296	QRE141J-104Y	C RESISTOR	100K 5% 1/4W	
△	RY101	QSK0142-001	RELAY		
△	RY261	QSK0109-001	RELAY		
△	RY262	QSK0109-001	RELAY		
△	RY263	QSK0109-001	RELAY		
	R1201	QRE141J-102Y	C RESISTOR	1.0K 5% 1/4W	
	R1202	QRE141J-102Y	C RESISTOR	1.0K 5% 1/4W	
	R1203	QRE141J-563Y	C RESISTOR	56K 5% 1/4W	
	R1204	QRE141J-563Y	C RESISTOR	56K 5% 1/4W	
△	R1205	QRJ146J-391X	UNF C RESISTOR	390 5% 1/4W	
△	R1206	QRJ146J-391X	UNF C RESISTOR	390 5% 1/4W	
	R1207	QRE141J-563Y	C RESISTOR	56K 5% 1/4W	
	R1208	QRE141J-563Y	C RESISTOR	56K 5% 1/4W	
	R1209	QRE141J-333Y	C RESISTOR	33K 5% 1/4W	
△	R1221	QRJ146J-101X	UNF C RESISTOR	100 5% 1/4W	
△	R1222	QRJ146J-101X	UNF C RESISTOR	100 5% 1/4W	
△	R1223	QRL017J-152	000.OMF.RES.	1.5K 5% 1/1W	
△	R1224	QRL017J-152	000.OMF.RES.	1.5K 5% 1/1W	
△	R1225	QRZ0224-R22	EMIT.RESISTOR	1/2W	
△	R1226	QRZ0224-R22	EMIT.RESISTOR	1/2W	
	R1227	QRE141J-102Y	C RESISTOR	1.0K 5% 1/4W	
	R1228	QRE141J-102Y	C RESISTOR	1.0K 5% 1/4W	
	R1229	QRE141J-183Y	C RESISTOR	18K 5% 1/4W	
	R1230	QRE141J-183Y	C RESISTOR	18K 5% 1/4W	
	R1231	QRE141J-473Y	C RESISTOR	47K 5% 1/4W	
	R1232	QRE141J-473Y	C RESISTOR	47K 5% 1/4W	
△	R1233	QRJ146J-101X	UNF C RESISTOR	100 5% 1/4W	
△	R1234	QRJ146J-2R2X	UNF C RESISTOR	2.2 5% 1/4W	
△	R1235	QRJ146J-2R2X	UNF C RESISTOR	2.2 5% 1/4W	
△	R1236	QRJ146J-2R2X	UNF C RESISTOR	2.2 5% 1/4W	
△	R1237	QRJ146J-2R2X	UNF C RESISTOR	2.2 5% 1/4W	
	R1241	QRJ146J-330X	UNF C RESISTOR	33 5% 1/4W	
	R1242	QRJ146J-330X	UNF C RESISTOR	33 5% 1/4W	
△	R1243	QRL027J-100	UNF.OMF.RES.	10 5% 1/2W	
△	R1244	QRL027J-100	UNF.OMF.RES.	10 5% 1/2W	
△	R1261	QRJ146J-181X	UNF C RESISTOR	180 5% 1/4W	
	R2201	QRE141J-102Y	C RESISTOR	1.0K 5% 1/4W	
	R2203	QRE141J-563Y	C RESISTOR	56K 5% 1/4W	
△	R2205	QRJ146J-391X	UNF C RESISTOR	390 5% 1/4W	
	R2207	QRE141J-563Y	C RESISTOR	56K 5% 1/4W	
△	R2225	QRZ0224-R22	EMIT.RESISTOR	1/2W	
	R2227	QRE141J-102Y	C RESISTOR	1.0K 5% 1/4W	
	R2229	QRE141J-183Y	C RESISTOR	18K 5% 1/4W	
	R2231	QRE141J-473Y	C RESISTOR	47K 5% 1/4W	
	R2241	QRJ146J-330X	UNF C RESISTOR	33 5% 1/4W	
△	R2243	QRL027J-100	UNF.OMF.RES.	10 5% 1/2W	
△	R2261	QRJ146J-181X	UNF C RESISTOR	180 5% 1/4W	
△	ST201	QNB0141-001	SPK TERMINAL		
	ST202	QNB0142-001	SPK TERMINAL		
△	T 102	QQT0317-001	POWER TRANSF		
	TA101	QNZ0079-001Z	TAB IM		
	TA102	QNZ0079-001Z	TAB IM		

## ■ Electrical parts list (Front board)

Block No. 03

△	Item	Parts number	Parts name	Remarks	Area	△	Item	Parts number	Parts name	Remarks	Area
	BK701	LV42882-001A	FL HOLDER(R)				R 714	NRSA63J-103X	MG RESISTOR		
	BK702	LV42881-001A	FL HOLDER(L)				R 715	NRSA63J-102X	MG RESISTOR		
	C 281	NCB31HK-331X	C CAPACITOR				R 716	NRSA63J-102X	MG RESISTOR		
	C 282	NCB31HK-331X	C CAPACITOR				R 717	NRSA63J-122X	MG RESISTOR		
	C 283	NCF31CZ-104X	C CAPACITOR				R 718	NRSA63J-152X	MG RESISTOR		
	C 701	NCB31HK-471X	C CAPACITOR				R 719	NRSA63J-222X	MG RESISTOR		
	C 702	NCB31HK-471X	C CAPACITOR				R 720	NRSA63J-272X	MG RESISTOR		
	C 703	NCB31HK-471X	C CAPACITOR				R 721	NRSA63J-392X	MG RESISTOR		
	C 704	NCB31HK-471X	C CAPACITOR				R 722	NRSA63J-103X	MG RESISTOR		
	C 705	NCB31HK-471X	C CAPACITOR				R 723	NRSA63J-102X	MG RESISTOR		
	C 706	NCB31HK-471X	C CAPACITOR				R 724	NRSA63J-102X	MG RESISTOR		
	C 708	NCB31HK-223X	C CAPACITOR				R 725	NRSA63J-122X	MG RESISTOR		
	C 709	NCF31CZ-104X	C CAPACITOR				R 726	NRSA63J-152X	MG RESISTOR		
	C 710	NCF31CZ-104X	C CAPACITOR				R 727	NRSA63J-222X	MG RESISTOR		
	C 711	QEKC0JM-107Z	E CAPACITOR	100MF 20% 6.3V			R 728	NRSA63J-272X	MG RESISTOR		
	C 712	QCZ0202-155Z	ML C CAPA 1/M	1.5MF			R 729	NRSA63J-392X	MG RESISTOR		
	C 713	QEKC1HM-475Z	E CAPACITOR	4.7MF 20% 50V			R 732	NRSA63J-103X	MG RESISTOR		
	C 714	QEKC1HM-475Z	E CAPACITOR	4.7MF 20% 50V			R 733	NRSA63J-103X	MG RESISTOR		
	C 715	QEKC1HM-475Z	E CAPACITOR	4.7MF 20% 50V			R 734	NRSA63J-102X	MG RESISTOR		
	C 717	NCF31CZ-104X	C CAPACITOR				R 741	NRSA63J-103X	MG RESISTOR		
	C 718	NCF31CZ-104X	C CAPACITOR				R 743	NRSA63J-221X	MG RESISTOR		
	C 720	NCB31EK-223X	C CAPACITOR				R 744	NRSA63J-222X	MG RESISTOR		
	CN242	QGB2510K1-10	CONNECTOR				R 750	NRSA63J-0R0X	MG RESISTOR		
	CN252	QGB2510K1-10	CONNECTOR				R 751	NRSA63J-221X	MG RESISTOR		
	CN604	QGB2510K1-13	CONNECTOR				R 752	NRSA63J-103X	MG RESISTOR		
	CN611	QGB2510K1-13	CONNECTOR				R 753	NRSA63J-103X	MG RESISTOR		
	CN701	QGF1205F1-13	CONNECTOR				R 754	NRSA63J-103X	MG RESISTOR		
	CN703	QGA2001F1-03	CONNECTOR				R1291	NRSA63J-471X	MG RESISTOR		
	CN713	QJK021-030603	SIN CR C-B WIRE				R1292	NRSA63J-471X	MG RESISTOR		
	D 701	LO561MBL3-60QNP	LED				R1701	NRSA63J-221X	MG RESISTOR		
	D 703	SLR-342VC-T	LED				R1702	NRSA63J-221X	MG RESISTOR		
	D 710	MA3082/H/-X	ZENER DIODE				R1703	NRSA63J-221X	MG RESISTOR		
	DI701	QLF0101-001	FL TUBE				R1704	NRSA63J-221X	MG RESISTOR		
	EP281	QNZ0136-001Z	EARTH PLATE				R1705	NRSA63J-221X	MG RESISTOR		
	FW241	QUM134-15DGZ4	PARA RIBON WIRE				R1706	NRSA63J-221X	MG RESISTOR		
	FW281	QUM133-18DGZ4	PARA RIBON WIRE				R1710	NRSA63J-0R0X	MG RESISTOR		
	FW701	QUM134-05Z4Z4	RIBON WIRE	WITH FW701			R1711	NRSA63J-0R0X	MG RESISTOR		
	FW702	QUM133-08Z4Z4	PARA RIBON WIRE	WITH FW702			S 700	QSW0683-001Z	PUSH SWITCH		
	FW703	QUM132-05Z4Z4	RIBON WIRE				S 701	QSW0683-001Z	PUSH SWITCH		
	IC701	MN101C35DKF	PANEL MICOM				S 702	QSW0683-001Z	PUSH SWITCH		
	IC702	GP1UM281XK	IR DETECT UNIT				S 703	QSW0683-001Z	PUSH SWITCH		
	J 281	QNS0188-001	JACK				S 704	QSW0683-001Z	PUSH SWITCH		
	JS701	QSW0898-001	JOG VOLUME				S 705	QSW0683-001Z	PUSH SWITCH		
	Q 700	KRC107S-X	DIGITAL.TR				S 706	QSW0683-001Z	PUSH SWITCH		
	Q 701	KRC107S-X	DIGITAL.TR				S 707	QSW0683-001Z	PUSH SWITCH		
	Q 702	KRA107S-X	TR.I.M.				S 708	QSW0683-001Z	PUSH SWITCH		
	Q 703	KRA114S-X	TR.I.M.				S 709	QSW0683-001Z	PUSH SWITCH		
	Q 710	KRA107S-X	TR.I.M.				S 710	QSW0683-001Z	PUSH SWITCH		
	R 667	NRSA63J-0R0X	MG RESISTOR				S 711	QSW0683-001Z	PUSH SWITCH		
	R 668	NRSA63J-0R0X	MG RESISTOR				S 712	QSW0683-001Z	PUSH SWITCH		
	R 669	NRSA63J-0R0X	MG RESISTOR				S 713	QSW0683-001Z	PUSH SWITCH		
	R 701	NRSA63J-103X	MG RESISTOR				S 714	QSW0683-001Z	PUSH SWITCH		
	R 702	NRSA63J-102X	MG RESISTOR				S 715	QSW0683-001Z	PUSH SWITCH		
	R 703	NRSA63J-103X	MG RESISTOR				S 716	QSW0683-001Z	PUSH SWITCH		
	R 704	NRSA63J-102X	MG RESISTOR				S 717	QSW0683-001Z	PUSH SWITCH		
	R 705	NRSA63J-102X	MG RESISTOR				S 718	QSW0683-001Z	PUSH SWITCH		
	R 706	NRSA63J-122X	MG RESISTOR				S 719	QSW0683-001Z	PUSH SWITCH		
	R 707	NRSA63J-103X	MG RESISTOR				S 720	QSW0683-001Z	PUSH SWITCH		
	R 708	NRSA63J-102X	MG RESISTOR				S 721	QSW0683-001Z	PUSH SWITCH		
	R 709	NRSA63J-102X	MG RESISTOR				S 722	QSW0683-001Z	PUSH SWITCH		
	R 710	NRSA63J-122X	MG RESISTOR				S 723	QSW0683-001Z	PUSH SWITCH		
	R 711	NRSA63J-152X	MG RESISTOR				△ TH291	QAD0125-471	P THERMISTOR		
	R 712	NRSA63J-222X	MG RESISTOR				X 701	QAX0246-001Z	C RESONATOR		
	R 713	NRSA63J-272X	MG RESISTOR								



## ■ Electrical parts list (DSP board)

Block No. 04

△	Item	Parts number	Parts name	Remarks	Area	△	Item	Parts number	Parts name	Remarks	Area
	C 601	QETN0JM-107Z	E CAPACITOR	100MF 20% 6.3V			C2500	QETN1CM-226Z	E CAPACITOR	22MF 20% 16V	
	C 602	NCF31CZ-104X	C CAPACITOR				C2503	QETN1HM-475Z	E CAPACITOR	4.7MF 20% 50V	
	C 605	NCB31HK-102X	C CAPACITOR				C2504	QETN1HM-475Z	E CAPACITOR	4.7MF 20% 50V	
	C 606	NCB31HK-102X	C CAPACITOR				C2507	NCS31HJ-330X	C CAPACITOR		
	C 607	QETN0JM-107Z	E CAPACITOR	100MF 20% 6.3V			C2508	NCS31HJ-330X	C CAPACITOR		
	C 608	NCF31CZ-104X	C CAPACITOR				C2512	NCF31CZ-104X	C CAPACITOR		
	C 609	QETN0JM-107Z	E CAPACITOR	100MF 20% 6.3V			C2513	NCB31HK-122X	C CAPACITOR		
	C 610	NCF31CZ-104X	C CAPACITOR				C2514	NCB31HK-122X	C CAPACITOR		
	C 611	NCF31CZ-104X	C CAPACITOR				C2515	NCS31HJ-121X	C CAPACITOR		
	C 612	QETN0JM-107Z	E CAPACITOR	100MF 20% 6.3V			C2516	NCS31HJ-121X	C CAPACITOR		
	C 613	NCB31CK-103X	C CAPACITOR				C2525	NCB31HK-102X	C CAPACITOR		
	C 615	NCB31CK-103X	C CAPACITOR				C2526	NCB31HK-102X	C CAPACITOR		
	C 616	QEK0JM-107Z	E CAPACITOR	100MF 20% 6.3V			C2527	QETN1HM-106Z	E CAPACITOR	10MF 20% 50V	
	C 617	QETN0JM-107Z	E CAPACITOR	100MF 20% 6.3V			C2528	QETN1HM-106Z	E CAPACITOR	10MF 20% 50V	
	C 618	NCB31CK-103X	C CAPACITOR				C2531	NCS31HJ-560X	C CAPACITOR		
	C 619	NCF31CZ-104X	C CAPACITOR				C2532	NCS31HJ-560X	C CAPACITOR		
	C 620	QETN1CM-107Z	E CAPACITOR	100MF 20% 16V			C2533	QETN1HM-475Z	E CAPACITOR	4.7MF 20% 50V	
	C 621	NCS31HJ-101X	C.CAPA. C.M				C2534	QETN1HM-475Z	E CAPACITOR	4.7MF 20% 50V	
	C 622	QETN1HM-105Z	E CAPACITOR	1.0MF 20% 50V			C2539	NCF31CZ-104X	C CAPACITOR		
	C 623	NCB31CK-103X	C CAPACITOR				C2540	NCF31CZ-104X	C CAPACITOR		
	C 624	NCF31AZ-105X	C CAPACITOR				C2551	NCS31HJ-560X	C CAPACITOR		
	C 625	NCF31AZ-105X	C CAPACITOR				C2552	NCS31HJ-560X	C CAPACITOR		
	C 626	NCF31AZ-105X	C CAPACITOR				C2555	NCF31CZ-104X	C CAPACITOR		
	C 627	NCS31HJ-471X	C CAPACITOR				C2556	NCF31CZ-104X	C CAPACITOR		
	C 628	NCF31AZ-105X	C CAPACITOR				C2561	QETN1HM-105Z	E CAPACITOR	1.0MF 20% 50V	
	C 629	NCS31HJ-101X	C.CAPA. C.M				C2562	QETN1HM-105Z	E CAPACITOR	1.0MF 20% 50V	
	C 631	QETN0JM-107Z	E CAPACITOR	100MF 20% 6.3V			C2563	NCS31HJ-560X	C CAPACITOR		
	C 632	NCB31CK-103X	C CAPACITOR				C2564	NCS31HJ-560X	C CAPACITOR		
	C 633	QETN0JM-107Z	E CAPACITOR	100MF 20% 6.3V			C2569	NCF31CZ-104X	C CAPACITOR		
	C 634	NCB31CK-103X	C CAPACITOR				C2570	NCF31CZ-104X	C CAPACITOR		
	C 635	NCB31AK-474X	C CAPACITOR				C2575	NCB31HK-272X	C CAPACITOR		
	C 636	NCB31CK-103X	C CAPACITOR				C2576	NCB31HK-272X	C CAPACITOR		
	C 637	NCS31HJ-101X	C.CAPA. C.M				C2577	QETN1HM-106Z	E CAPACITOR	10MF 20% 50V	
	C 638	NCS31HJ-121X	C CAPACITOR				C2578	QETN1HM-106Z	E CAPACITOR	10MF 20% 50V	
	C 639	NCF31CZ-104X	C CAPACITOR				C2581	QETN1HM-105Z	E CAPACITOR	1.0MF 20% 50V	
	C 640	NCF31CZ-104X	C CAPACITOR				C2582	QETN1CM-106Z	E CAPACITOR	10MF 20% 16V	
	C 641	NCF31CZ-104X	C CAPACITOR				C2583	NCS31HJ-560X	C CAPACITOR		
	C 642	NCB31CK-473X	C CAPACITOR				C2584	NCS31HJ-560X	C CAPACITOR		
	C 643	NCS31HJ-180X	C CAPACITOR				C2585	NCF31CZ-104X	C CAPACITOR		
	C 644	NCS31HJ-220X	C CAPACITOR				C2586	NCF31CZ-104X	C CAPACITOR		
	C 645	NCB31CK-103X	C CAPACITOR				C2587	NCS31HJ-560X	C CAPACITOR		
	C 646	NCF31CZ-104X	C CAPACITOR				C2588	QETN1HM-475Z	E CAPACITOR	4.7MF 20% 50V	
	C 647	QETN0JM-107Z	E CAPACITOR	100MF 20% 6.3V			C2589	NCF31CZ-104X	C CAPACITOR		
	C 648	NCB31CK-104X	C CAPACITOR				C2590	NCF31CZ-104X	C CAPACITOR		
	C 680	NCF31AZ-105X	C CAPACITOR				C2592	NCB31HK-103X	C CAPACITOR		
	C 681	QETN0JM-107Z	E CAPACITOR	100MF 20% 6.3V			C2594	NCF31CZ-473X	C CAPACITOR		
	C 682	NCB31CK-103X	C CAPACITOR				C2595	NCB31HK-272X	C CAPACITOR		
	C 683	NCS31HJ-101X	C.CAPA. C.M				C2597	QETN1HM-106Z	E CAPACITOR	10MF 20% 50V	
	C 684	NCS31HJ-101X	C.CAPA. C.M				C2598	QETN1HM-475Z	E CAPACITOR	4.7MF 20% 50V	
	C 685	NCB31CK-103X	C CAPACITOR				D 621	MA111-X	DIODE C.M		
	C 686	NCB31CK-103X	C CAPACITOR				D 622	MA111-X	DIODE C.M		
	C 687	NCB31CK-103X	C CAPACITOR				D 631	MA111-X	DIODE C.M		
	C 688	NCF31CZ-104X	C CAPACITOR				D 632	MA111-X	DIODE C.M		
	C 689	NCF31AZ-105X	C CAPACITOR				EP601	E409182-001SM	GRAND TERMINAL		
	C 690	NCB31CK-103X	C CAPACITOR				IC601	AK4527BVQP	IC		
	C 691	NCB31CK-103X	C CAPACITOR				IC602	BA15218F-XE	IC		
	C 692	QETN0JM-107Z	E CAPACITOR	100MF 20% 6.3V			IC603	BA15218F-XE	IC		
	C 693	NCB31CK-103X	C CAPACITOR				IC611	TC74HC4072AF-X	IC		
	C 694	QEK1CM-476Z	E CAPACITOR	47MF 20% 16V			IC612	TC74HC08AF-X	IC		
	C 695	NCB31CK-103X	C CAPACITOR				IC615	MM1563DF-X	IC		
	C 696	QETN1CM-476Z	E CAPACITOR	47MF 20% 16V			IC621	TC74HCU04AF-W	IC		
	CN601	QGB2510J1-13	CONNECTOR				IC631	TC9446F-025	IC		
	CN602	QGF1205C1-12	CONNECTOR				IC641	LP61L1024S-12-X	IC		

## ■ Electrical parts list (DSP board)

Block No. 04

△	Item	Parts number	Parts name	Remarks	Area	△	Item	Parts number	Parts name	Remarks	Area
	IC651	BA15218F-XE	IC				R 676	NRSA63J-103X	MG RESISTOR		
	IC652	BA15218F-XE	IC				R 679	NRSA63J-103X	MG RESISTOR		
	IC661	BA15218F-XE	IC				R 680	NRSA63J-103X	MG RESISTOR		
	IC671	BA15218F-XE	IC				R 681	NRSA63J-0R0X	MG RESISTOR		
	IC672	BA15218F-XE	IC				R 682	NRSA63J-0R0X	MG RESISTOR		
	IC681	UPD784215AGC167	IC(MICRO C ROM)				R 683	NRSA63J-822X	MG RESISTOR		
	IC682	MM1613DN-X	IC				R 684	NRSA63J-432X	MG RESISTOR		
	IC683	TC7SET32FU-X	IC				R 685	NRSA63J-103X	MG RESISTOR		
	J 601	QNN0481-001	PIN JACK				R 686	NRSA63J-822X	MG RESISTOR		
	K 601	NQR0269-004X	FERRITE BEADS				R 687	NRSA63J-432X	MG RESISTOR		
	Q 631	DTC114YE-X	TRANSISTOR				R 688	NRSA63J-822X	MG RESISTOR		
	Q 632	KRA104S-X	DIGITAL.TR				R 689	NRSA63J-432X	MG RESISTOR		
	Q 671	2SD1048/6-7/-X	TRANSISTOR				R 690	NRSA63J-822X	MG RESISTOR		
	Q 672	DTC114YE-X	TRANSISTOR				R 691	NRSA63J-432X	MG RESISTOR		
	Q 673	KRA104S-X	DIGITAL.TR				R 692	NRSA63J-221X	MG RESISTOR		
	Q 681	DTC114YE-X	TRANSISTOR				R 693	NRSA63J-221X	MG RESISTOR		
	Q2501	KRA104S-X	DIGITAL.TR				R 694	NRSA63J-221X	MG RESISTOR		
	Q2521	2SC3576-JVC-T	TRANSISTOR I/M				R 695	NRSA63J-221X	MG RESISTOR		
	Q2522	2SC3576-JVC-T	TRANSISTOR I/M				R 696	NRSA63J-221X	MG RESISTOR		
	Q2561	2SC3576-JVC-T	TRANSISTOR I/M				R 697	NRSA63J-221X	MG RESISTOR		
	Q2562	2SC3576-JVC-T	TRANSISTOR I/M				R 698	NRSA63J-221X	MG RESISTOR		
	Q2581	2SC3576-JVC-T	TRANSISTOR I/M				R 699	NRSA63J-221X	MG RESISTOR		
	Q2582	2SC3576-JVC-T	TRANSISTOR I/M				R2500	NRSA63J-102X	MG RESISTOR		
	R 601	NRSA63J-473X	MG RESISTOR				R2501	NRSA63J-104X	MG RESISTOR		
	R 602	NRSA63J-473X	MG RESISTOR				R2502	NRSA63J-104X	MG RESISTOR		
	R 603	NRSA63J-221X	MG RESISTOR				R2507	NRSA63J-223X	MG RESISTOR		
	R 604	NRSA63J-473X	MG RESISTOR				R2508	NRSA63J-223X	MG RESISTOR		
	R 605	NRSA63J-221X	MG RESISTOR				R2509	NRSA63J-223X	MG RESISTOR		
	R 606	NRSA63J-221X	MG RESISTOR				R2510	NRSA63J-223X	MG RESISTOR		
	R 607	NRSA63J-103X	MG RESISTOR				R2511	NRSA63J-103X	MG RESISTOR		
	R 608	NRSA63J-103X	MG RESISTOR				R2512	NRSA63J-103X	MG RESISTOR		
	R 611	NRSA63J-101X	MG RESISTOR				R2513	NRSA63J-103X	MG RESISTOR		
	R 613	NRSA63J-0R0X	MG RESISTOR				R2514	NRSA63J-103X	MG RESISTOR		
	R 615	NRSA63J-103X	MG RESISTOR				R2515	NRSA63J-103X	MG RESISTOR		
	R 619	NRSA63J-103X	MG RESISTOR				R2516	NRSA63J-103X	MG RESISTOR		
	R 620	NRSA63J-103X	MG RESISTOR				R2517	NRSA63J-0R0X	MG RESISTOR		
	R 621	NRSA63J-750X	MG RESISTOR				R2518	NRSA63J-0R0X	MG RESISTOR		
	R 622	NRSA63J-221X	MG RESISTOR				R2519	NRSA63J-331X	MG RESISTOR		
	R 623	NRSA63J-472X	MG RESISTOR				R2520	NRSA63J-331X	MG RESISTOR		
	R 624	NRSA63J-333X	MG RESISTOR				R2521	NRSA63J-331X	MG RESISTOR		
	R 631	NRSA63J-221X	MG RESISTOR				R2522	NRSA63J-331X	MG RESISTOR		
	R 632	NRSA63J-472X	MG RESISTOR				R2525	NRSA63J-102X	MG RESISTOR		
	R 633	NRSA63J-221X	MG RESISTOR				R2526	NRSA63J-102X	MG RESISTOR		
	R 634	NRSA63J-221X	MG RESISTOR				R2527	NRSA63J-104X	MG RESISTOR		
	R 635	NRSA63J-221X	MG RESISTOR				R2528	NRSA63J-104X	MG RESISTOR		
	R 636	NRSA63J-221X	MG RESISTOR				R2529	NRSA63J-103X	MG RESISTOR		
	R 637	NRSA63J-221X	MG RESISTOR				R2530	NRSA63J-103X	MG RESISTOR		
	R 638	NRSA63J-103X	MG RESISTOR				R2531	NRSA63J-752X	MG RESISTOR		
	R 639	NRSA63F-102X	MG RESISTOR				R2532	NRSA63J-752X	MG RESISTOR		
	R 640	NRSA63J-101X	MG RESISTOR				R2533	NRSA63J-103X	MG RESISTOR		
	R 641	NRSA63J-102X	MG RESISTOR				R2534	NRSA63J-103X	MG RESISTOR		
	R 642	NRSA63J-563X	MG RESISTOR				R2535	NRSA63J-103X	MG RESISTOR		
	R 643	NRSA63F-103X	MG RESISTOR				R2536	NRSA63J-103X	MG RESISTOR		
	R 644	NRSA63J-472X	MG RESISTOR				R2537	NRSA63J-104X	MG RESISTOR		
	R 645	NRSA63J-103X	MG RESISTOR				R2538	NRSA63J-104X	MG RESISTOR		
	R 646	NRSA63J-225X	MG RESISTOR				R2550	NRSA63J-272X	MG RESISTOR		
	R 651	NRSA63J-0R0X	MG RESISTOR				R2551	NRSA63J-103X	MG RESISTOR		
	R 653	NRSA63J-0R0X	MG RESISTOR				R2552	NRSA63J-103X	MG RESISTOR		
	R 661	NRSA63J-0R0X	MG RESISTOR				R2553	NRSA63J-153X	MG RESISTOR		
	R 662	NRSA63J-0R0X	MG RESISTOR				R2554	NRSA63J-153X	MG RESISTOR		
	R 663	NRSA63J-0R0X	MG RESISTOR				R2555	NRSA63J-752X	MG RESISTOR		
	R 671	NRSA63J-103X	MG RESISTOR				R2556	NRSA63J-752X	MG RESISTOR		
	R 672	NRSA63J-105X	MG RESISTOR				R2557	NRSA63J-103X	MG RESISTOR		

## ■ Electrical parts list (DSP board)

Block No. 04

△	Item	Parts number	Parts name	Remarks	Area
	R2558	NRSA63J-273X	MG RESISTOR		
	R2560	NRSA63J-105X	MG RESISTOR		
	R2561	NRSA63J-104X	MG RESISTOR		
	R2562	NRSA63J-104X	MG RESISTOR		
	R2563	NRSA63J-103X	MG RESISTOR		
	R2564	NRSA63J-103X	MG RESISTOR		
	R2565	NRSA63J-202X	MG RESISTOR		
	R2566	NRSA63J-202X	MG RESISTOR		
	R2567	NRSA63J-103X	MG RESISTOR		
	R2568	NRSA63J-103X	MG RESISTOR		
	R2575	NRSA63J-102X	MG RESISTOR		
	R2576	NRSA63J-102X	MG RESISTOR		
	R2577	NRSA63J-104X	MG RESISTOR		
	R2578	NRSA63J-104X	MG RESISTOR		
	R2581	NRSA63J-104X	MG RESISTOR		
	R2582	NRSA63J-104X	MG RESISTOR		
	R2583	NRSA63J-123X	MG RESISTOR		
	R2584	NRSA63J-223X	MG RESISTOR		
	R2585	NRSA63J-302X	MG RESISTOR		
	R2586	NRSA63J-332X	MG RESISTOR		
	R2587	NRSA63J-103X	MG RESISTOR		
	R2588	NRSA63J-103X	MG RESISTOR		
	R2589	NRSA63J-104X	MG RESISTOR		
	R2590	NRSA63J-333X	MG RESISTOR		
	R2592	NRSA63J-333X	MG RESISTOR		
	R2594	NRSA63J-333X	MG RESISTOR		
	R2595	NRSA63J-102X	MG RESISTOR		
	R2596	NRSA63J-102X	MG RESISTOR		
	R2597	NRSA63J-104X	MG RESISTOR		
	R2598	NRSA63J-104X	MG RESISTOR		
	UN661	GP1FA351RZ	OPT RECEIVER	C/D	
	UN662	GP1FA351TZ	OPT TRANSMITTER	C/D	
	X 631	QAX0722-001Z	CRYSTAL		
	X 681	QAX0719-001Z	1COSCIALLATOR		

## ■ Electrical parts list (DVD loading main board) Block No. 05

△	Item	Parts number	Parts name	Remarks	Area	△	Item	Parts number	Parts name	Remarks	Area
	C 105	NEA70JM-476X	E.CAPACITOR				C 311	NCB31HK-561X	C CAPACITOR		
	C 106	NEA70JM-476X	E.CAPACITOR				C 312	NCB31HK-561X	C CAPACITOR		
	C 109	NCB31CK-104X	C CAPACITOR				C 313	NCB31HK-561X	C CAPACITOR		
	C 110	NCS31HJ-221X	C.CAPA. C.M				C 314	NCB31HK-331X	C CAPACITOR		
	C 111	NCB31CK-104X	C CAPACITOR				C 315	NCB31HK-471X	C CAPACITOR		
	C 112	NCB31CK-104X	C CAPACITOR				C 316	NCB31HK-271X	C CAPACITOR		
	C 113	NEA70JM-226X	E CAPACITOR				C 317	NCS31HJ-121X	C CAPACITOR		
	C 115	NCB31CK-104X	C CAPACITOR				C 318	NCB31CK-104X	C CAPACITOR		
	C 116	NCB31CK-104X	C CAPACITOR				C 319	NCB31HK-102X	C CAPACITOR		
	C 117	NCB31CK-473X	C CAPACITOR				C 320	NCB31HK-102X	C CAPACITOR		
	C 118	NCB31CK-273X	C CAPACITOR				C 321	NCB31HK-102X	C CAPACITOR		
	C 119	NCB31HK-561X	C CAPACITOR				C 322	NCB31HK-562X	C CAPACITOR		
	C 120	NCB31HK-561X	C CAPACITOR				C 323	NCB31HK-102X	C CAPACITOR		
	C 121	NCB31CK-104X	C CAPACITOR				C 324	NCB31CK-104X	C CAPACITOR		
	C 122	NCS31HJ-120X	C.CAPA. C.M				C 325	NCS31HJ-470X	C.CAPA. C.M		
	C 123	NCB31CK-104X	C CAPACITOR				C 326	NCB31CK-183X	C CAPACITOR		
	C 124	NCS31HJ-470X	C.CAPA. C.M				C 327	NCB31HK-102X	C CAPACITOR		
	C 125	NCB31HK-271X	C CAPACITOR				C 328	NCB31CK-104X	C CAPACITOR		
	C 126	NCB31CK-104X	C CAPACITOR				C 329	NCB31CK-103X	C CAPACITOR		
	C 127	NCB31CK-104X	C CAPACITOR				C 330	NCB31CK-104X	C CAPACITOR		
	C 128	NCB31CK-104X	C CAPACITOR				C 331	NCB31CK-103X	C CAPACITOR		
	C 129	NCB31HK-472X	C CAPACITOR				C 332	NCB21CK-105X	C CAPACITOR		
	C 135	NEA70JM-476X	E.CAPACITOR				C 333	NCB31CK-104X	C CAPACITOR		
	C 137	NEA70GM-476X	E.CAPA. C.M.				C 334	NCB31CK-104X	C CAPACITOR		
	C 138	NCB31CK-104X	C CAPACITOR				C 337	NCB31CK-104X	C CAPACITOR		
	C 139	NCB31CK-104X	C CAPACITOR				C 338	NCB31CK-104X	C CAPACITOR		
	C 141	NCB31CK-104X	C CAPACITOR				C 339	NCB31CK-104X	C CAPACITOR		
	C 142	NCB31CK-104X	C CAPACITOR				C 340	NCB31CK-104X	C CAPACITOR		
	C 143	NCB31CK-104X	C CAPACITOR				C 341	NCB31CK-104X	C CAPACITOR		
	C 144	NCB31CK-103X	C CAPACITOR				C 342	NCB31CK-104X	C CAPACITOR		
	C 146	NCB31CK-104X	C CAPACITOR				C 343	NCB31CK-104X	C CAPACITOR		
	C 201	NEA70JM-226X	E CAPACITOR				C 344	NCB31CK-104X	C CAPACITOR		
	C 203	NCB31CK-104X	C CAPACITOR				C 345	NCB31CK-104X	C CAPACITOR		
	C 204	NCB31CK-104X	C CAPACITOR				C 346	NCB31CK-104X	C CAPACITOR		
	C 205	NCS31HJ-121X	C CAPACITOR				C 347	NCB31CK-104X	C CAPACITOR		
	C 207	NCB31HK-391X	C CAPACITOR				C 348	NCB31CK-104X	C CAPACITOR		
	C 208	NCB31HK-391X	C CAPACITOR				C 349	NCB31CK-104X	C CAPACITOR		
	C 211	NCB31HK-223X	C CAPACITOR				C 350	NCB31CK-104X	C CAPACITOR		
	C 212	NCB31CK-103X	C CAPACITOR				C 401	NEA70GM-476X	E.CAPA. C.M.		
	C 215	NCB31CK-104X	C CAPACITOR				C 402	NCB31CK-104X	C CAPACITOR		
	C 216	NCB30JK-105X	C CAPACITOR				C 403	NCB31CK-104X	C CAPACITOR		
	C 217	NCB31CK-104X	C CAPACITOR				C 404	NCB31CK-104X	C CAPACITOR		
	C 218	NCB30JK-105X	C CAPACITOR				C 405	NCB31CK-104X	C CAPACITOR		
	C 251	NCB31CK-104X	C CAPACITOR				C 406	NCB31CK-104X	C CAPACITOR		
	C 252	NEA71AM-336X	E CAPACITOR				C 407	NCB31CK-104X	C CAPACITOR		
	C 253	NCB31CK-104X	C CAPACITOR				C 450	NCB31CK-104X	C CAPACITOR		
	C 255	NCB31CK-153X	C CAPACITOR				C 501	NCB31CK-104X	C CAPACITOR		
	C 256	NCB31CK-104X	C CAPACITOR				C 506	NCS31HJ-150X	C CAPACITOR		
	C 257	NCB31CK-104X	C CAPACITOR				C 507	NCS31HJ-180X	C CAPACITOR		
	C 258	NCB31CK-104X	C CAPACITOR				C 511	NEA70GM-476X	E.CAPA. C.M.		
	C 259	NCB31CK-104X	C CAPACITOR				C 512	NCB31CK-104X	C CAPACITOR		
	C 260	NCB31CK-104X	C CAPACITOR				C 514	NCB31CK-104X	C CAPACITOR		
	C 261	NCB31CK-104X	C CAPACITOR				C 515	NCB31CK-104X	C CAPACITOR		
	C 262	NCB31CK-104X	C CAPACITOR				C 516	NCB31CK-104X	C CAPACITOR		
	C 263	NCB31CK-104X	C CAPACITOR				C 517	NCB31CK-104X	C CAPACITOR		
	C 264	NCB31CK-103X	C CAPACITOR				C 518	NCB31CK-104X	C CAPACITOR		
	C 301	NCB31CK-104X	C CAPACITOR				C 519	NCB31CK-104X	C CAPACITOR		
	C 302	NCB31CK-104X	C CAPACITOR				C 520	NCB31CK-104X	C CAPACITOR		
	C 303	NCB31CK-104X	C CAPACITOR				C 523	NCB31CK-104X	C CAPACITOR		
	C 304	NEA70GM-107X	E CAPACITOR				C 524	NEA70GM-476X	E.CAPA. C.M.		
	C 306	NEA70GM-107X	E CAPACITOR				C 527	NEA70GM-476X	E.CAPA. C.M.		
	C 308	NEA70GM-107X	E CAPACITOR				C 528	NCB31CK-104X	C CAPACITOR		
	C 310	NCB31CK-104X	C CAPACITOR				C 529	NCB31CK-104X	C CAPACITOR		

■ Electrical parts list (DVD loading main board) Block No. 05

△	Item	Parts number	Parts name	Remarks	Area	△	Item	Parts number	Parts name	Remarks	Area
	C 531	NCB31CK-104X	C CAPACITOR				IC513	74LCX373MTC-X	IC(DIGITAL)		
	C 532	NCB31CK-104X	C CAPACITOR				IC521	MM74HCT32MTC-X	IC		
	C 533	NCB31CK-104X	C CAPACITOR				IC522	74LCX32MTC-X	IC(DIGITAL)		
	C 534	NCB31CK-104X	C CAPACITOR				IC523	NC7SZ125P5-X	IC(DIGITAL)		
	C 535	NCB31CK-104X	C CAPACITOR				K 101	NQR0007-002X	FERRITE BEADS		
	C 536	NCB31CK-104X	C CAPACITOR				K 301	NQR0007-002X	FERRITE BEADS		
	C 539	NCB31CK-104X	C CAPACITOR				K 302	NQR0007-002X	FERRITE BEADS		
	C 540	NCB31CK-104X	C CAPACITOR				K 303	NQR0007-002X	FERRITE BEADS		
	C 541	NCB31CK-104X	C CAPACITOR				K 304	NQR0007-002X	FERRITE BEADS		
	C 542	NCB31CK-104X	C CAPACITOR				K 401	NQR0007-002X	FERRITE BEADS		
	C 543	NCB31CK-104X	C CAPACITOR				K 501	NQR0007-002X	FERRITE BEADS		
	C 544	NCB31CK-104X	C CAPACITOR				K 504	NQR0007-002X	FERRITE BEADS		
	C 545	NCB31CK-104X	C CAPACITOR				K 505	NQR0007-002X	FERRITE BEADS		
	C 547	NCB31CK-104X	C CAPACITOR				K 507	NQR0007-002X	FERRITE BEADS		
	C 548	NCB31CK-104X	C CAPACITOR				K 508	NQR0007-002X	FERRITE BEADS		
	C 549	NEA70GM-476X	E.CAPA. C.M.				K 509	NQR0007-002X	FERRITE BEADS		
	C 550	NCB31CK-104X	C CAPACITOR				K 510	NQR0007-002X	FERRITE BEADS		
	C 554	NCB31CK-104X	C CAPACITOR				K 513	NQR0007-002X	FERRITE BEADS		
	C 555	NCB31CK-104X	C CAPACITOR				K 515	NRSA02J-0R0X	MG RESISTOR		
	C 557	NCB31CK-104X	C CAPACITOR				K 518	NRSA02J-0R0X	MG RESISTOR		
	C 558	NCB11CK-105X	C CAPACITOR				K 519	NQR0007-002X	FERRITE BEADS		
	C 569	NCB31CK-104X	C CAPACITOR				K 520	NQR0007-002X	FERRITE BEADS		
	C 571	NEA70GM-476X	E.CAPA. C.M.				K 556	NQR0129-002X	FERRITE BEADS		
	C 572	NCB31CK-104X	C CAPACITOR				K 557	NQR0129-002X	FERRITE BEADS		
	C 573	NEA70GM-227X	E.CAPA. C.M				K 558	NQR0129-002X	FERRITE BEADS		
	C 578	NCB31CK-104X	C CAPACITOR				K 559	NQR0129-002X	FERRITE BEADS		
	C 580	NEA70GM-476X	E.CAPA. C.M.				K 560	NRSA02J-0R0X	MG RESISTOR		
	C 581	NEA70GM-227X	E.CAPA. C.M				K 561	NRSA02J-0R0X	MG RESISTOR		
	C 582	NEA70GM-476X	E.CAPA. C.M.				K 562	NRSA02J-0R0X	MG RESISTOR		
	C 601	NEA70GM-476X	E.CAPA. C.M.				K 563	NRSA02J-0R0X	MG RESISTOR		
	C 602	NEA70GM-476X	E.CAPA. C.M.				K 564	NRSA02J-0R0X	MG RESISTOR		
	C 618	NCB31CK-104X	C CAPACITOR				K 565	NRSA02J-0R0X	MG RESISTOR		
	C 619	NCB31CK-104X	C CAPACITOR				K 566	NRSA02J-0R0X	MG RESISTOR		
	C 902	NCB31CK-104X	C CAPACITOR				K 567	NQR0007-002X	FERRITE BEADS		
	C 904	NCB31CK-104X	C CAPACITOR				K 568	NRSA02J-0R0X	MG RESISTOR		
	C 906	NCB31CK-104X	C CAPACITOR				K 569	NQR0007-002X	FERRITE BEADS		
	C 908	NCB31CK-104X	C CAPACITOR				K 570	NRSA02J-0R0X	MG RESISTOR		
	C 992	NCB31CK-104X	C CAPACITOR				K 571	NQR0007-002X	FERRITE BEADS		
	C 993	NCB31CK-104X	C CAPACITOR				K 572	NRSA02J-0R0X	MG RESISTOR		
	C 994	NCB31CK-104X	C CAPACITOR				K 573	NQR0007-002X	FERRITE BEADS		
	C 995	NCB31CK-104X	C CAPACITOR				K 574	NRSA02J-0R0X	MG RESISTOR		
	C 996	NCB31CK-104X	C CAPACITOR				K 575	NRSA02J-0R0X	MG RESISTOR		
	C 997	NCB31CK-104X	C CAPACITOR				K 576	NRSA02J-0R0X	MG RESISTOR		
	C 998	NCB31CK-104X	C CAPACITOR				K 577	NQR0007-002X	FERRITE BEADS		
	CN101	QGF0522F1-30W	FFC CONNECTOR	PU			K 578	NRSA02J-0R0X	MG RESISTOR		
	CN201	QGF1016F2-15W	CONNECTOR	SP&STP			K 579	NRSA02J-0R0X	MG RESISTOR		
	CN202	QGF1016F2-06W	CONNECTOR	LOADER			K 582	NRSA02J-0R0X	MG RESISTOR		
	CN502	QGB2027L1-26X	CONNECTOR	SYSTEM			K 586	NRSA02J-0R0X	MG RESISTOR		
	CN503	QGB2027L1-26X	CONNECTOR	VIDEO			L 501	NQL044K-100X	INDUCTOR		
	D 101	RB521S-30-X	SB DIODE				Q 101	KTA1001/Y/-X	TRANSISTOR		
	D 202	1SS355-X	DIODE C.M				Q 102	KTA1001/Y/-X	TRANSISTOR		
	IC101	AN8703FH-V	IC				Q 103	DTA144EE-X	DIGI TRANSISTOR		
	IC201	BA5983FM-X	IC				Q 501	2SB1424/QR/-W	TRANSISTOR		
	IC251	BA6664FM-X	LSI				Q 502	2SC2412K/RS/-X	CHIP TRANSISTOR		
	IC301	MN103S26EGA	IC				R 101	NRSA63J-333X	MG RESISTOR		
	IC401	MN102L62GLF3	IC				R 102	NRSA63J-223X	MG RESISTOR		
	IC451	S-93C66AFJ-X	IC				R 103	NRSA63J-223X	MG RESISTOR		
	IC501	NDV8601VWA-BB	IC				R 104	NRS125J-270X	MG RESISTOR		
	IC505	K4S643232E-TC60	IC				R 105	NRS125J-270X	MG RESISTOR		
	IC509	SST39VF160-7CEK	IC (FLASH)				R 106	NRSA63J-273X	MG RESISTOR		
	IC510	AK93C65AF-X	IC C.M				R 107	NRSA63J-273X	MG RESISTOR		
	IC511	LM1117MP1.8-X	IC				R 108	NRSA63J-222X	MG RESISTOR		
	IC512	74LCX373MTC-X	IC(DIGITAL)				R 109	NRSA63J-182X	MG RESISTOR		

## ■ Electrical parts list (DVD loading main board) Block No. 05

△	Item	Parts number	Parts name	Remarks	Area	△	Item	Parts number	Parts name	Remarks	Area
	R 110	NRSA63J-333X	MG RESISTOR				R 324	NRSA63J-473X	MG RESISTOR		
	R 111	NRVA63D-243X	RES. C.M				R 325	NRSA63J-123X	MG RESISTOR		
	R 112	NRSA63J-822X	MG RESISTOR				R 326	NRSA63J-473X	MG RESISTOR		
	R 113	NRSA63J-103X	MG RESISTOR				R 327	NRSA63J-105X	MG RESISTOR		
	R 114	NRSA63J-0R0X	MG RESISTOR				R 328	NRSA63J-183X	MG RESISTOR		
	R 115	NRSA63J-0R0X	MG RESISTOR				R 329	NRSA63J-473X	MG RESISTOR		
	R 116	NRSA63J-0R0X	MG RESISTOR				R 330	NRSA63J-473X	MG RESISTOR		
	R 117	NRSA63J-0R0X	MG RESISTOR				R 331	NRSA63J-473X	MG RESISTOR		
	R 119	NRSA63J-2R2X	MG RESISTOR				R 332	NRSA63J-102X	MG RESISTOR		
	R 120	NRSA63J-2R2X	MG RESISTOR				R 333	NRSA63J-183X	MG RESISTOR		
	R 125	NRSA63J-105X	MG RESISTOR				R 334	NRSA63J-102X	MG RESISTOR		
	R 126	NRSA63J-105X	MG RESISTOR				R 336	NRSA63J-273X	MG RESISTOR		
	R 127	NRSA63J-222X	MG RESISTOR				R 337	NRSA63J-273X	MG RESISTOR		
	R 128	NRS125J-1R0X	MG RESISTOR				R 338	NRSA63J-472X	MG RESISTOR		
	R 129	NRS125J-1R0X	MG RESISTOR				R 339	NRSA63J-472X	MG RESISTOR		
	R 130	NRSA63J-182X	MG RESISTOR				R 340	NRSA63J-103X	MG RESISTOR		
	R 201	NRSA63J-470X	MG RESISTOR				R 341	NRSA63J-562X	MG RESISTOR		
	R 202	NRS125J-1R0X	MG RESISTOR				R 402	NRSA63J-472X	MG RESISTOR		
	R 203	NRSA63J-0R0X	MG RESISTOR				R 411	NRSA63J-472X	MG RESISTOR		
	R 204	NRSA63J-273X	MG RESISTOR				R 413	NRSA63J-472X	MG RESISTOR		
	R 205	NRSA63J-273X	MG RESISTOR				R 414	NRSA63J-472X	MG RESISTOR		
	R 206	NRSA63J-303X	MG RESISTOR				R 421	NRSA63J-0R0X	MG RESISTOR		
	R 207	NRSA63J-473X	MG RESISTOR				R 422	NRSA63J-472X	MG RESISTOR		
	R 208	NRSA63J-223X	MG RESISTOR				R 423	NRSA63J-472X	MG RESISTOR		
	R 209	NRSA63J-223X	MG RESISTOR				R 424	NRSA63J-472X	MG RESISTOR		
	R 210	NRSA63J-242X	MG RESISTOR				R 427	NRSA63J-0R0X	MG RESISTOR		
	R 211	NRSA63J-242X	MG RESISTOR				R 428	NRSA63J-472X	MG RESISTOR		
	R 212	NRSA63J-103X	MG RESISTOR				R 501	NRSA63J-470X	MG RESISTOR		
	R 213	NRSA63J-103X	MG RESISTOR				R 512	NRSA63J-332X	MG RESISTOR		
	R 214	NRSA63J-103X	MG RESISTOR				R 521	NRSA63J-103X	MG RESISTOR		
	R 215	NRSA63J-103X	MG RESISTOR				R 531	NRSA63J-562X	MG RESISTOR		
	R 216	NRSA63J-912X	MG RESISTOR				R 532	NRSA63J-392X	MG RESISTOR		
	R 217	NRSA63J-201X	MG RESISTOR				R 533	NRSA63J-102X	MG RESISTOR		
	R 218	NRSA63J-221X	MG RESISTOR				R 534	NRSA63J-561X	MG RESISTOR		
	R 219	NRSA63J-183X	MG RESISTOR				R 535	NRSA63J-333X	MG RESISTOR		
	R 220	NRSA63J-243X	MG RESISTOR				R 536	NRSA63J-102X	MG RESISTOR		
	R 221	NRSA63J-682X	MG RESISTOR				R 541	NRSA63J-0R0X	MG RESISTOR		
	R 222	NRSA63J-103X	MG RESISTOR				R 543	NRSA63J-0R0X	MG RESISTOR		
	R 223	NRSA63J-912X	MG RESISTOR				R 544	NRSA63J-471X	MG RESISTOR		
	R 224	NRSA63J-103X	MG RESISTOR				R 547	NRSA63J-0R0X	MG RESISTOR		
	R 251	NRS125J-R47X	MG RESISTOR				R 548	NRSA63J-471X	MG RESISTOR		
	R 252	NRSA63J-2R2X	MG RESISTOR				R 549	NRSA63J-471X	MG RESISTOR		
	R 253	NRSA63J-0R0X	MG RESISTOR				R 550	NRSA63J-471X	MG RESISTOR		
	R 254	NRSA63J-203X	MG RESISTOR				R 551	NRSA63J-0R0X	MG RESISTOR		
	R 255	NRSA63J-103X	MG RESISTOR				R 552	NRSA63J-0R0X	MG RESISTOR		
	R 256	NRSA63J-470X	MG RESISTOR				R 553	NRSA63J-0R0X	MG RESISTOR		
	R 258	NRSA63J-0R0X	MG RESISTOR				R 565	NRVA63D-622X	CMF RESISTOR		
	R 259	NRSA63J-103X	MG RESISTOR				R 566	NRVA63D-132X	MG.RESI C.M		
	R 301	NRSA63J-473X	MG RESISTOR				R 570	NRSA63J-100X	MG RESISTOR		
	R 302	NRSA63J-473X	MG RESISTOR				R 573	NRSA63J-162X	MG RESISTOR		
	R 303	NRSA63J-473X	MG RESISTOR				R 574	NRSA63J-162X	MG RESISTOR		
	R 304	NRSA63J-473X	MG RESISTOR				R 575	NRSA63J-471X	MG RESISTOR		
	R 305	NRSA63J-473X	MG RESISTOR				R 576	NRSA63J-471X	MG RESISTOR		
	R 306	NRSA63J-473X	MG RESISTOR				R 578	NRSA63J-471X	MG RESISTOR		
	R 307	NRSA63J-473X	MG RESISTOR				R 579	NRSA63J-471X	MG RESISTOR		
	R 308	NRSA63J-0R0X	MG RESISTOR				R 580	NRSA63J-471X	MG RESISTOR		
	R 309	NRSA63J-473X	MG RESISTOR				R 583	NRSA63J-471X	MG RESISTOR		
	R 313	NRSA63J-473X	MG RESISTOR				R 584	NRSA63J-332X	MG RESISTOR		
	R 317	NRSA63J-473X	MG RESISTOR				R 608	NRSA63J-103X	MG RESISTOR		
	R 319	NRSA63J-473X	MG RESISTOR				R 655	NRSA63J-0R0X	MG RESISTOR		
	R 320	NRSA63J-105X	MG RESISTOR				R 738	NRSA63J-152X	MG RESISTOR		
	R 321	NRSA63J-473X	MG RESISTOR				R 739	NRSA63J-0R0X	MG RESISTOR		
	R 323	NRSA63J-473X	MG RESISTOR				R 740	NRSA63J-0R0X	MG RESISTOR		

## ■ Electrical parts list (DVD loading switch board) Block No. 06

△	Item	Parts number	Parts name	Remarks	Area
	CN 1	QGF1016F3-06	CONNECTOR		
	S 1	QSW0910-002	SWITCH	DW DET SW	
	S 2	QSW0910-002	SWITCH	OC DET SW	

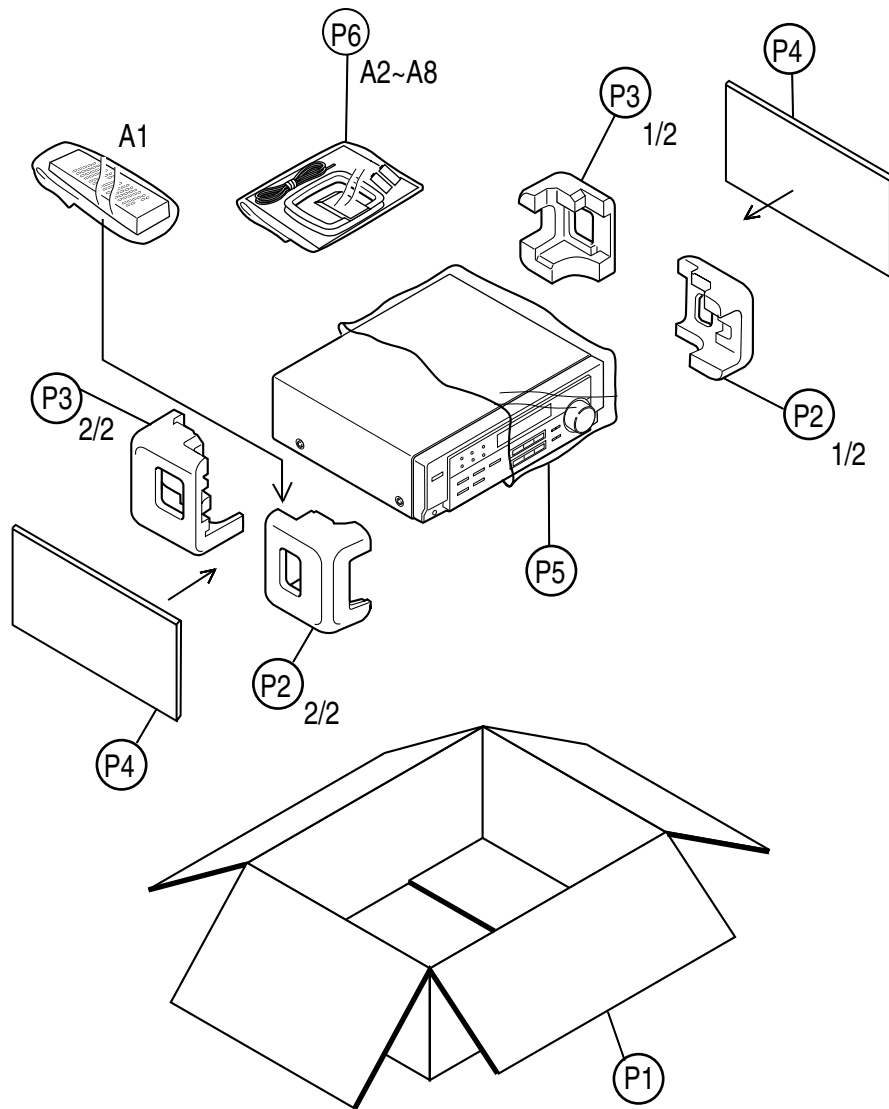
# Packing materials and accessories parts list

Block No. 

M	3	M	M
---	---	---	---

Block No. 

M	5	M	M
---	---	---	---





**■ Parts list (Packing)**

Block No. M3MM

△	Item	Parts number	Parts name	Q'ty	Description	Area
	P 1	LV33697-020A	CARTON BOX	1		
	P 2	LV21223-002A	CUSHION(F)	1		
	P 3	LV21224-002A	CUSHION(R)	1		
	P 4	LV32034-005A	SHEET	2		
	P 5	QPC06507015P	POLY BAG	1	FOR SET	
	P 6	QPA02503505P	POLY BAG	1	FOR INST	

**■ Parts list (Accessories)**

Block No. M5MM

△	Item	Parts number	Parts name	Q'ty	Description	Area
	A 1	RM-SRXDV3J	REMOCON	1		
	A 2	LVT0875-001A	INST BOOK	1	ENG	
	A 3	QAL0432-001	ANT.WIRE	1		
	A 4	QAL0014-001	AM LOOP ANT	1		
	A 5	-----	BATTERY	2		
	A 6	BT-51028-2	J=REGIST CARD	1		
	A 7	YU20333	SAFETY INST.	1		
	A 8	QAM0236-001	VIDEO CABLE	1		