


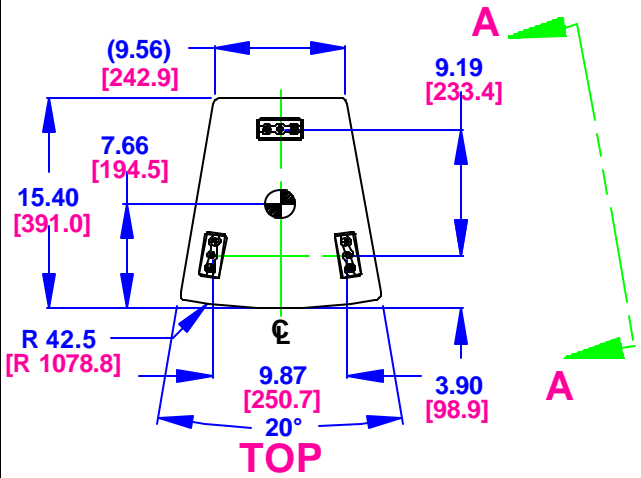


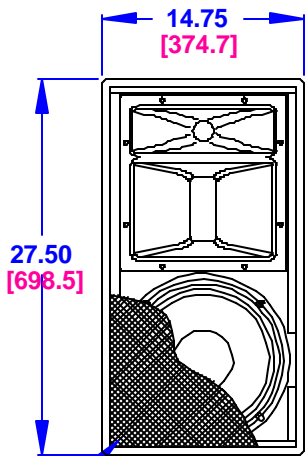
REV	DESCRIPTION	APVD/DATE
C	SKIPPED REVISIONS "A", AND "B" SO DRAWING REVISION AGREES WITH AGILE REVISION "C". PER DSRWHT7790 DM 10/10/06	RS 10/11/06

NOTES:

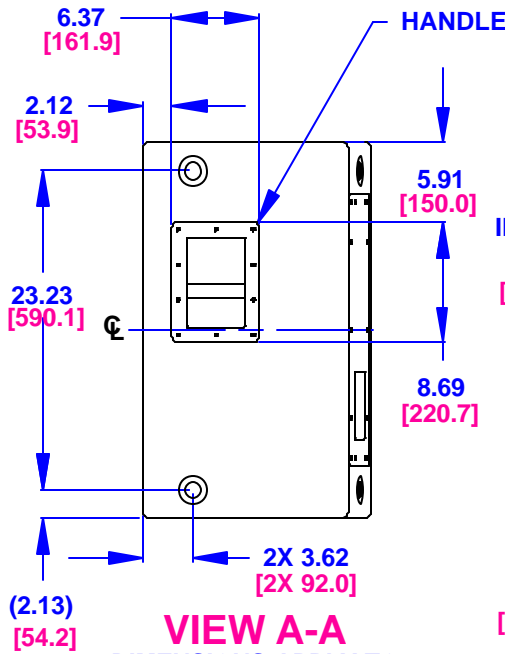
1. SYMBOL  INDICATES MOUNTING POINT, 3/8-16 THREADED HOLE (FLY TRACK).
2. SYMBOL  INDICATES 3.00 [76.2] x 1.35 [34.3] FLY TRACK.
3. SYMBOL  INDICATES CENTER OF BALANCE.
4. WEIGHT APPROX. 85 lb [38.6 kg].
5. SHIPPING WEIGHT APPROX. 94 lb [42.6 kg].



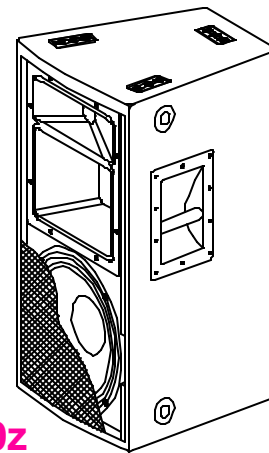
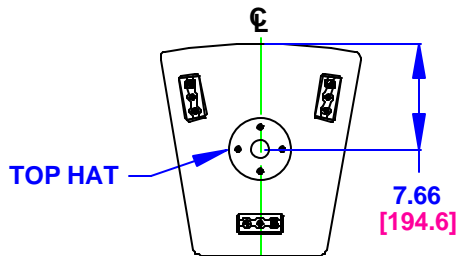
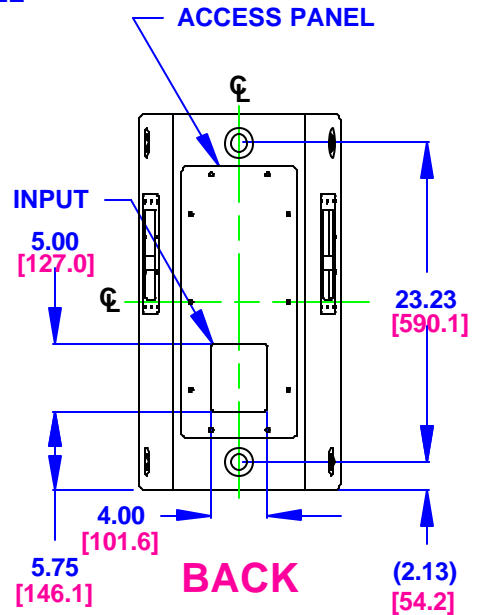
DIMENSIONS APPLY TO TOP & BOTTOM



GRILLE PARTIALLY SHOWN

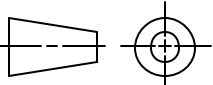


DIMENSIONS APPLY TO BOTH SIDES



KF360z

DOCUMENT CONTROL PER SPECIFICATION 4.5.201

<p>THIRD ANGLE PROJECTION</p> 	<p>UNLESS OTHERWISE SPECIFIED: ALL DIMENSIONS ARE INCHES [MILLIMETERS]</p> <p>TOLERANCES LINEAR ± 0.13 in/ ± 3.3 mm ANGLES ± 1°</p> <p>{X.XX} = REF DIMS NO TOLERANCE IMPLIED</p> <p>TSC=THEORETICAL SHARP CORNER DIMENSIONS ACROSS CENTERLINES TO BE SYMMETRICAL</p>	<p>STATUS: PRODUCTION</p>		<p>EA EASTERN ACOUSTIC WORKS ONE MAIN STREET WHITINSVILLE, MA 01568 USA</p>
		<p>APPROVALS</p> <p>DRAWN: MFL</p> <p>CHECKED: KFH</p> <p>DES ENG: DB</p> <p>MFG ENG: SM</p>	<p>DATE</p> <p>4/9/02</p> <p>10/11/06</p> <p>10/12/06</p> <p>10/11/06</p>	
<p>THIS DRAWING IS THE PROPERTY OF EAW AND SHALL NOT BE COPIED, REPRODUCED, OR USED AS THE BASIS FOR MANUFACTURE OR SALE OF APPARATUS WITHOUT WRITTEN AUTHORIZATION. DO NOT SCALE DRAWING.</p>		<p>A</p>	<p>SHEET 1 OF 1</p>	<p>SCALE: 1 TO 14</p>
		<p>DRAWING NUMBER: 0001140</p>	<p>REVISION: C</p>	