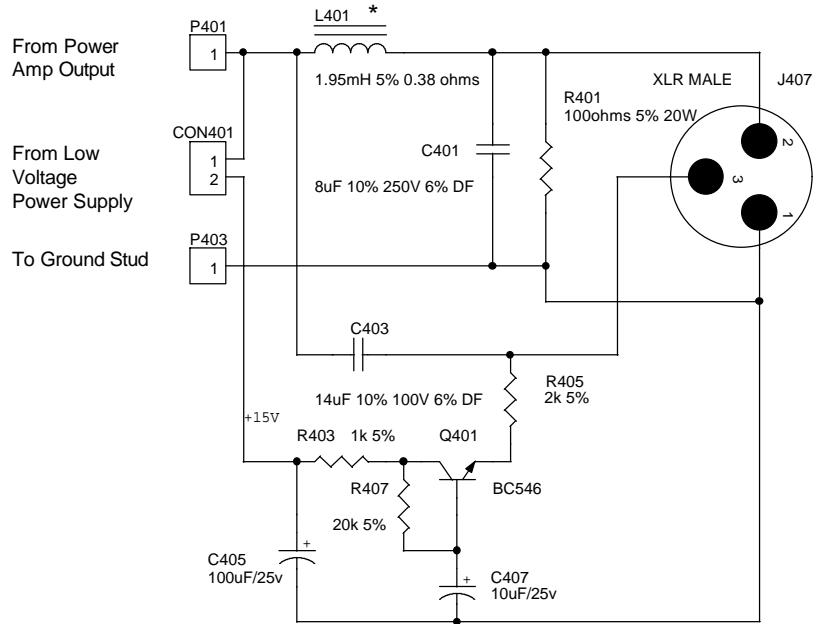
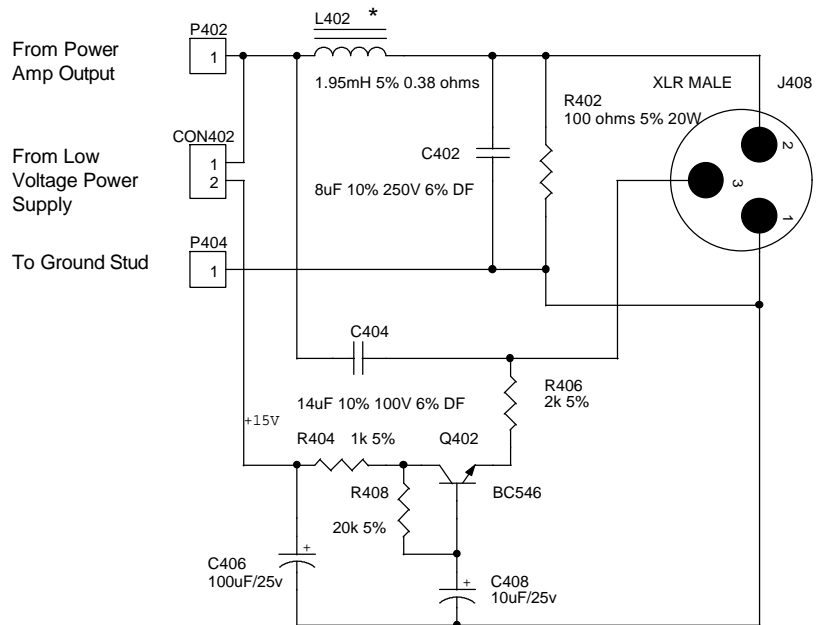


Left Crossover in Amplifier



* THESE VALUES ARE TO BE MEASURED WITH THE INDUCTORS MOUNTED IN THE AMPLIFIER. THIS MAY CAUSE BOTH PART VALUES TO BE DIFFERENT FROM EACH OTHER, WHEN MEASURED OUTSIDE THE AMPLIFIER.

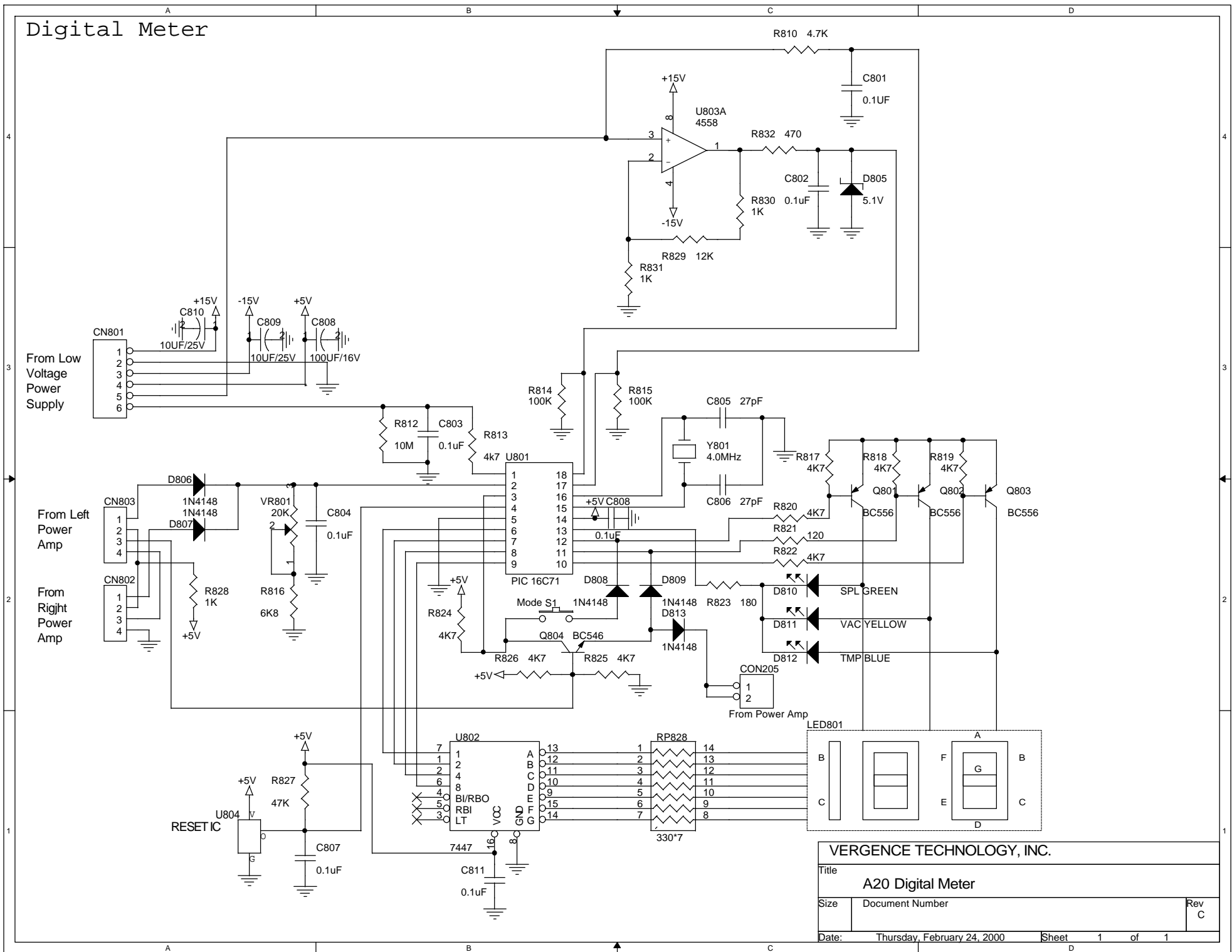
Right Crossover in Amplifier



VERGENCE TECHNOLOGY, INC.

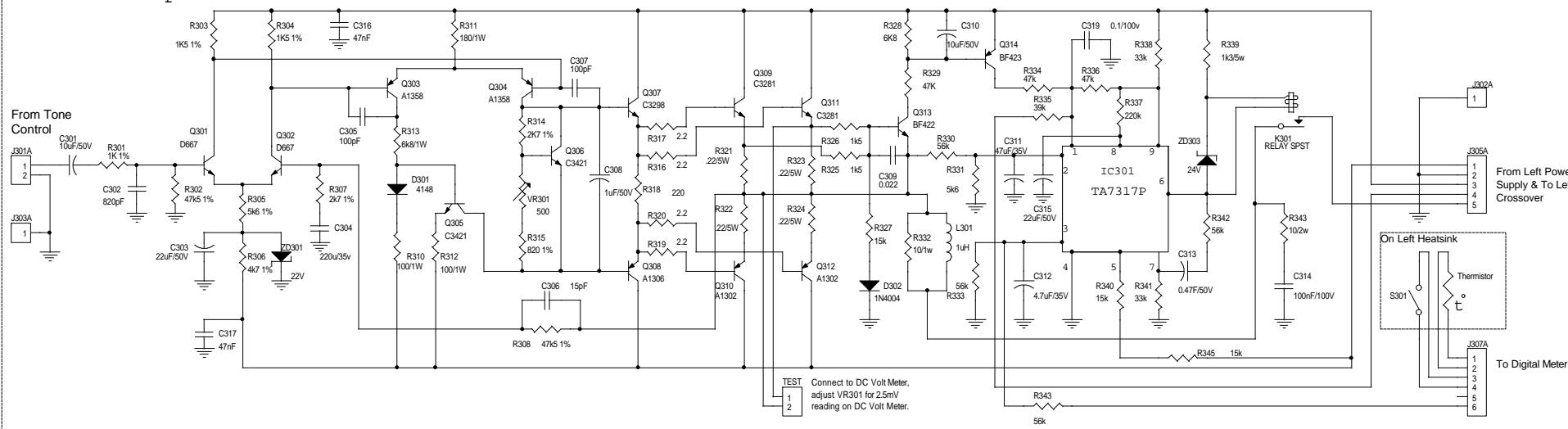
Title		
A20 Passive Crossover		
Size	Document Number	Rev C
Date:	Thursday, February 24, 2000	Sheet 1 of 1

Digital Meter

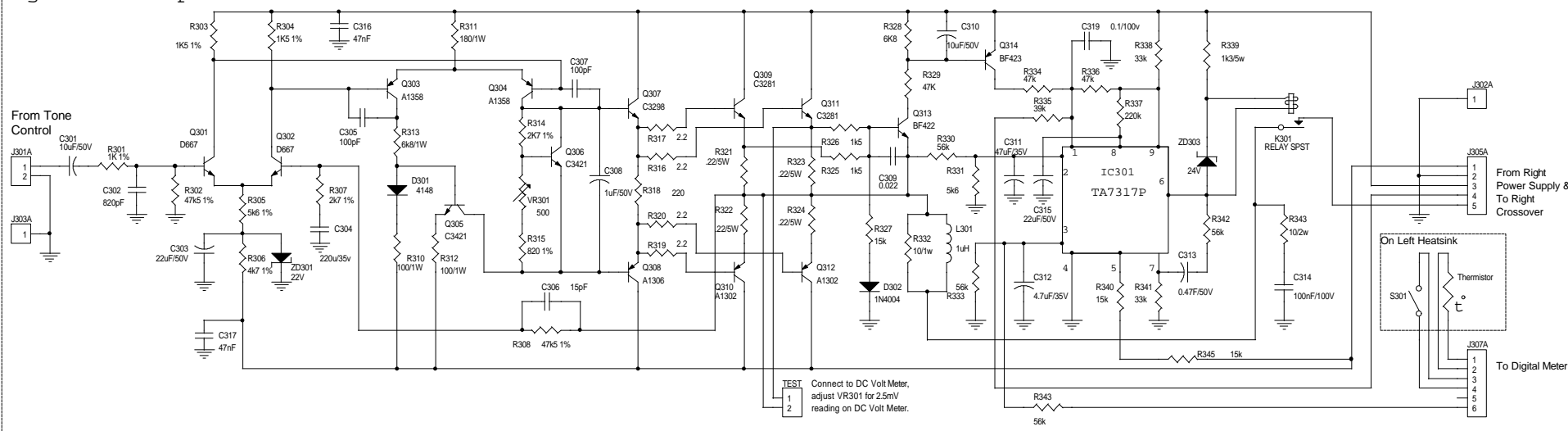


VERGENCE TECHNOLOGY, INC.		
Title A20 Digital Meter		
Size	Document Number	Rev C
Date:	Thursday, February 24, 2000	Sheet 1 of 1

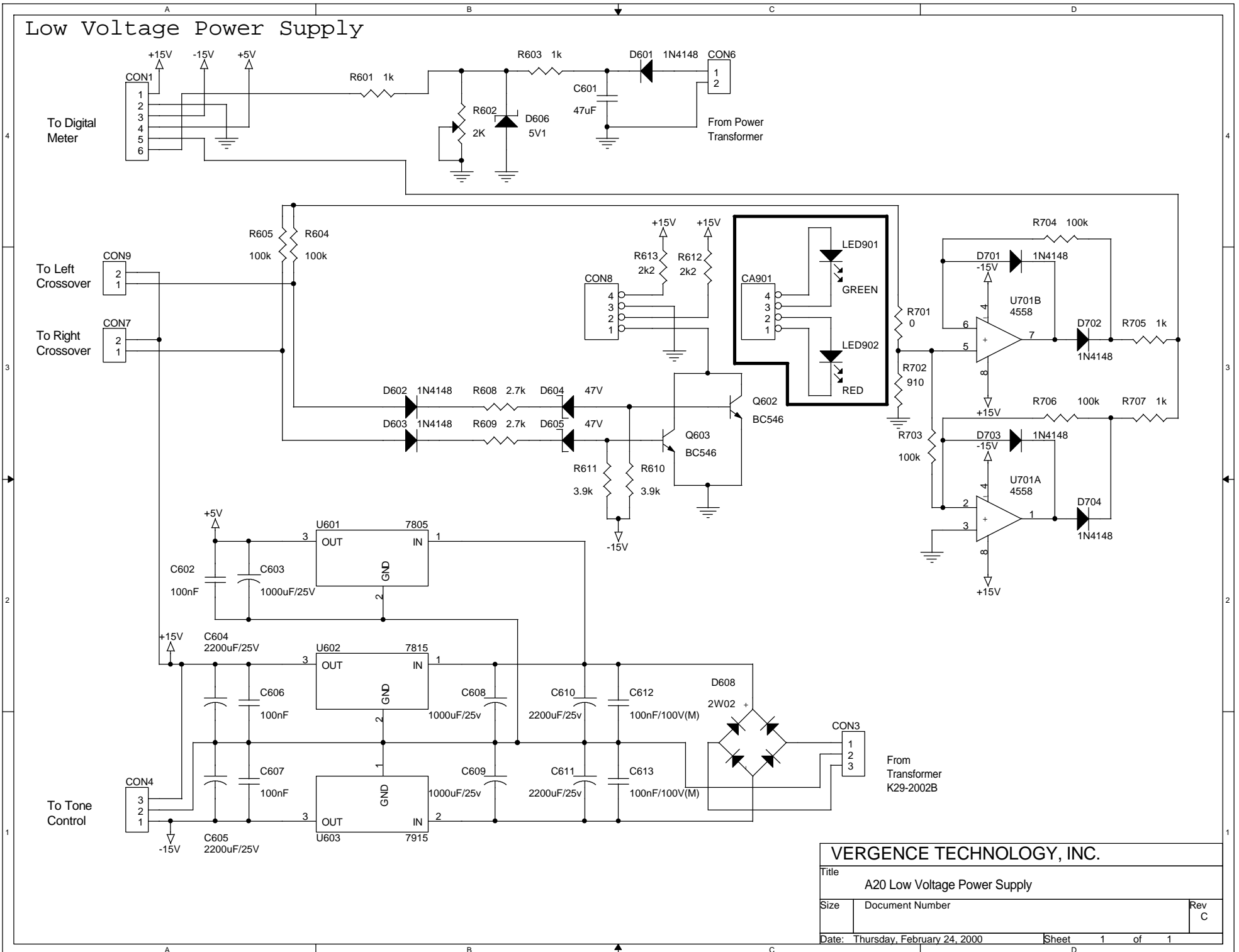
Left Power Amp



Right Power Amp



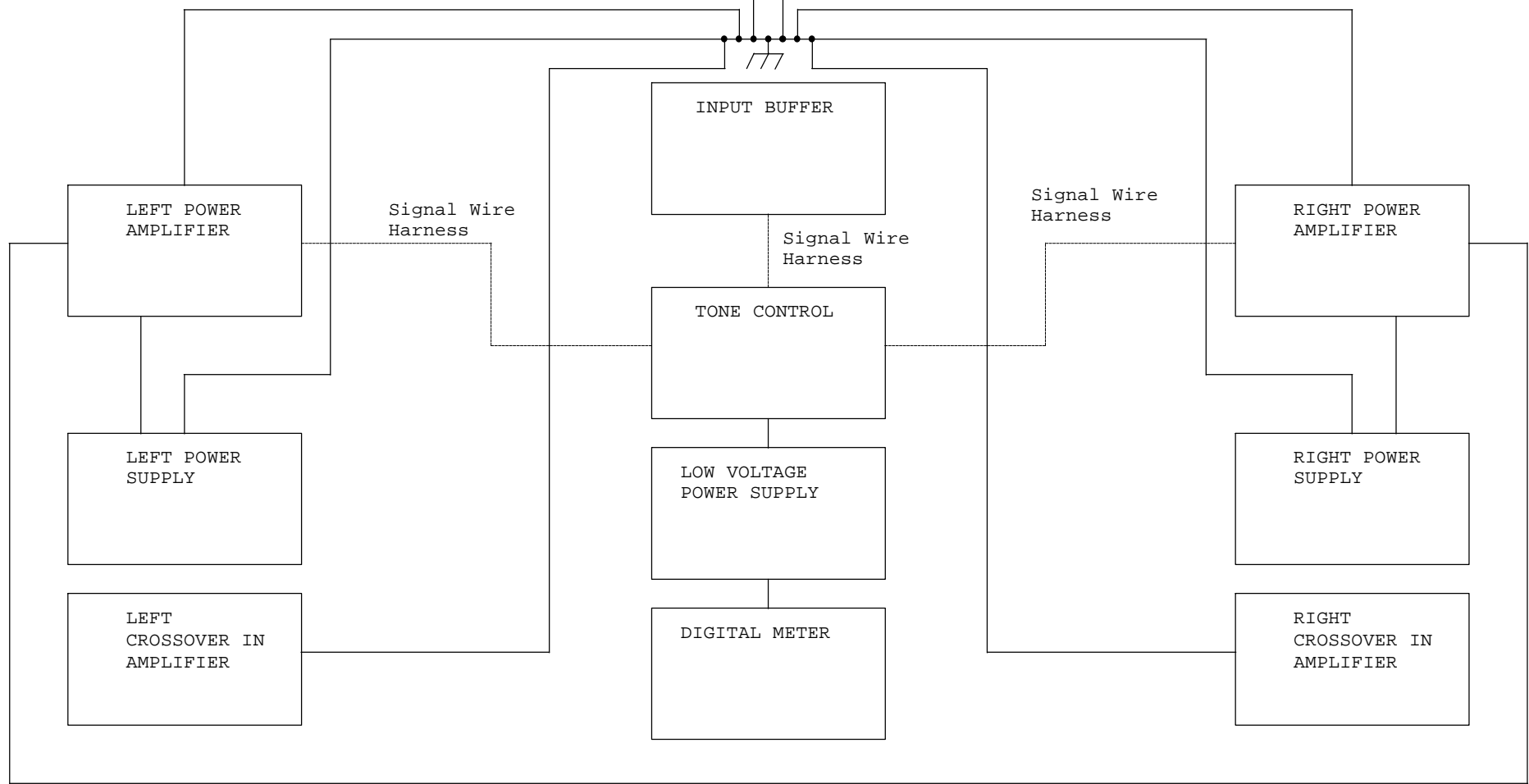
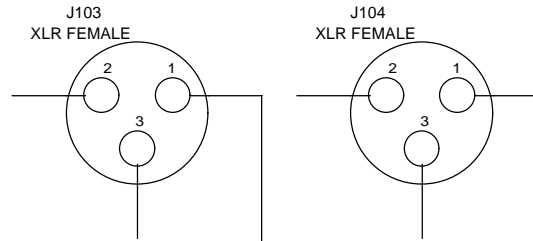
Low Voltage Power Supply



VERGENCE TECHNOLOGY, INC.

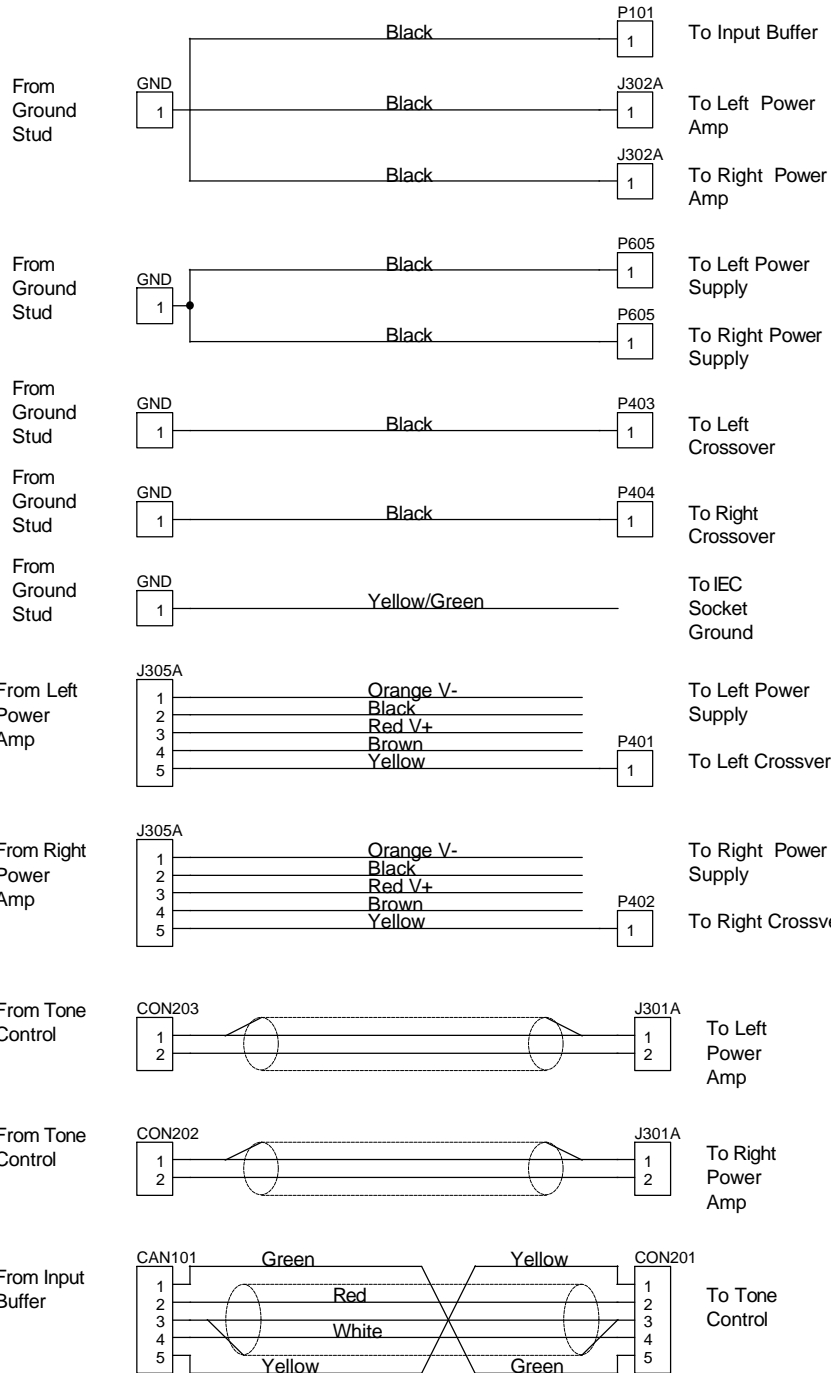
Title		
A20 Low Voltage Power Supply		
Size	Document Number	Rev C
Date:	Thursday, February 24, 2000	Sheet 1 of 1

Grounding Connections

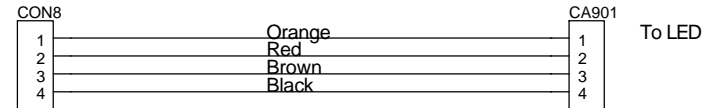


VERGENCE TECHNOLOGY, INC.		
Title		
A 20 Grounding Diagram		
Size	Document Number	Rev
		C
Date:	Thursday, February 24, 2000	Sheet 1 of 1

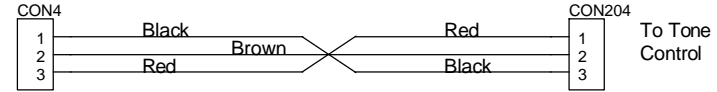
A-20 Cables



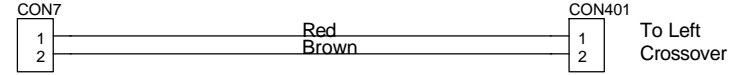
From Low Voltage Power Supply



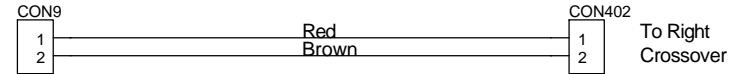
From Low Voltage Power Supply



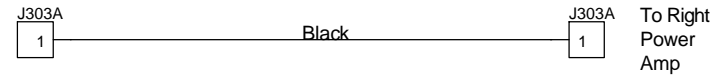
From Low Voltage Power Supply



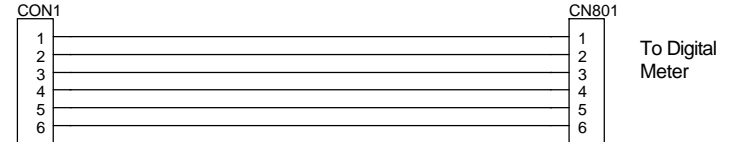
From Low Voltage Power Supply



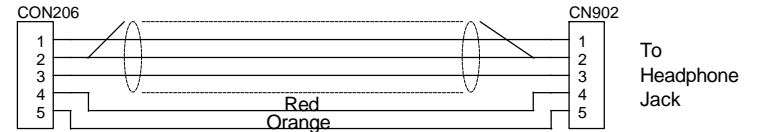
From Left Power Amp



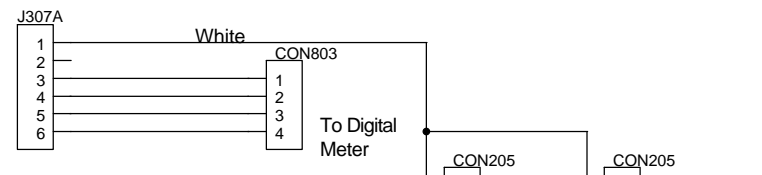
From Low Voltage Power Supply



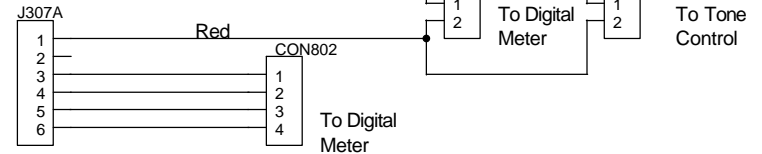
From Tone Control



From Left Power Amp



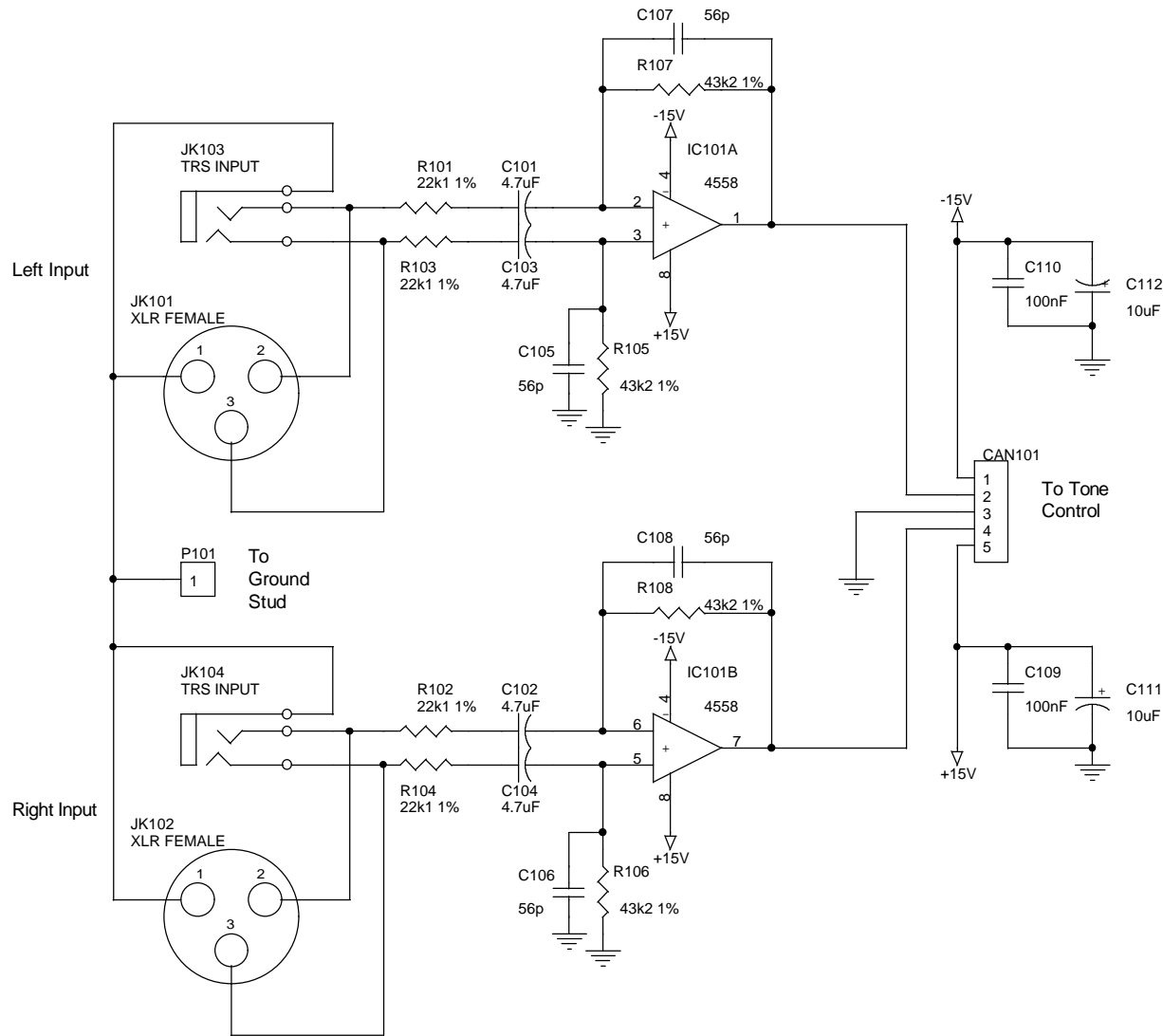
From Right Power Amp



VERGENCE TECHNOLOGY, INC.

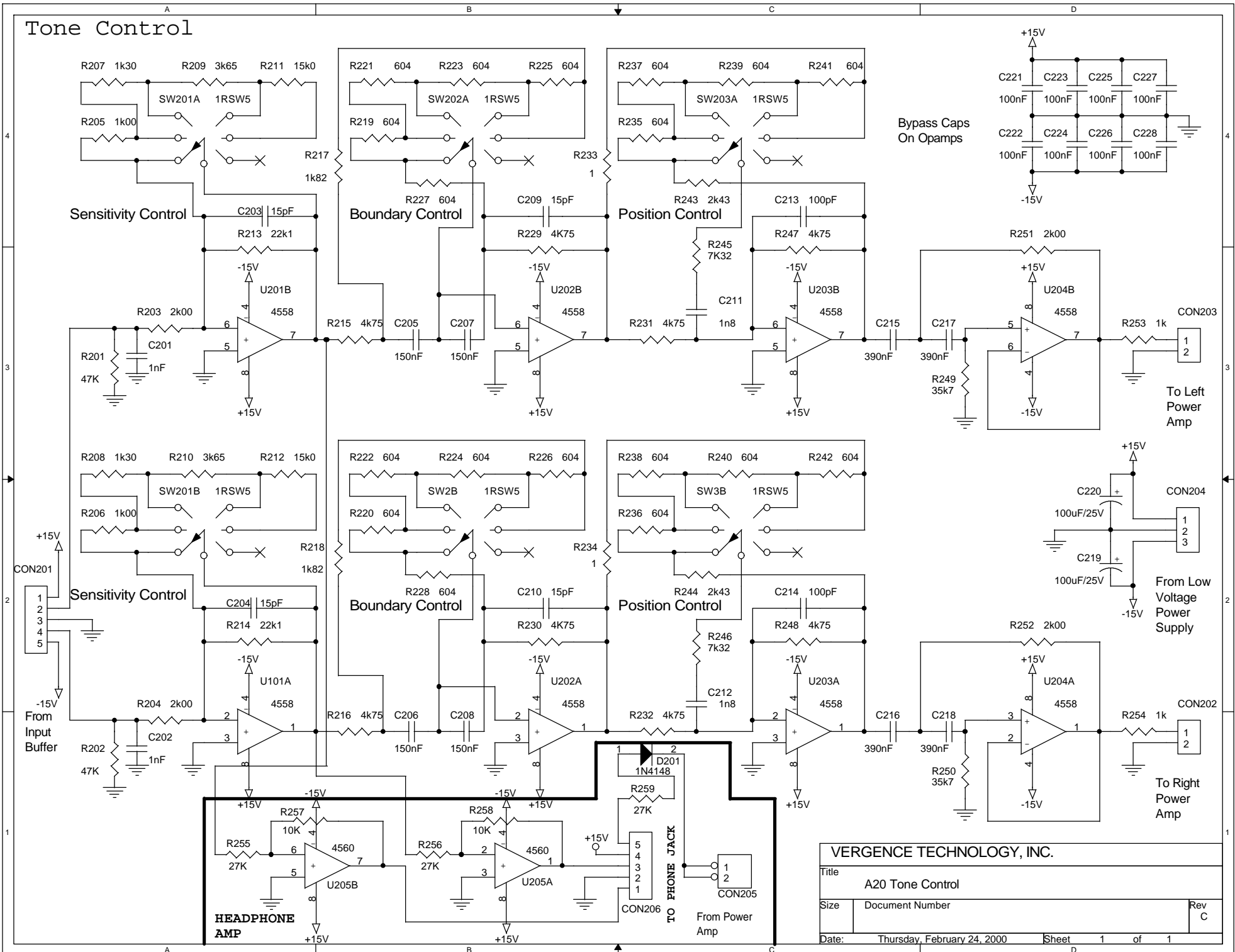
Title		
A 20 Cables		
Size	Document Number	Rev C
Date:	Thursday, February 24, 2000	Sheet 1 of 1

Input Buffer



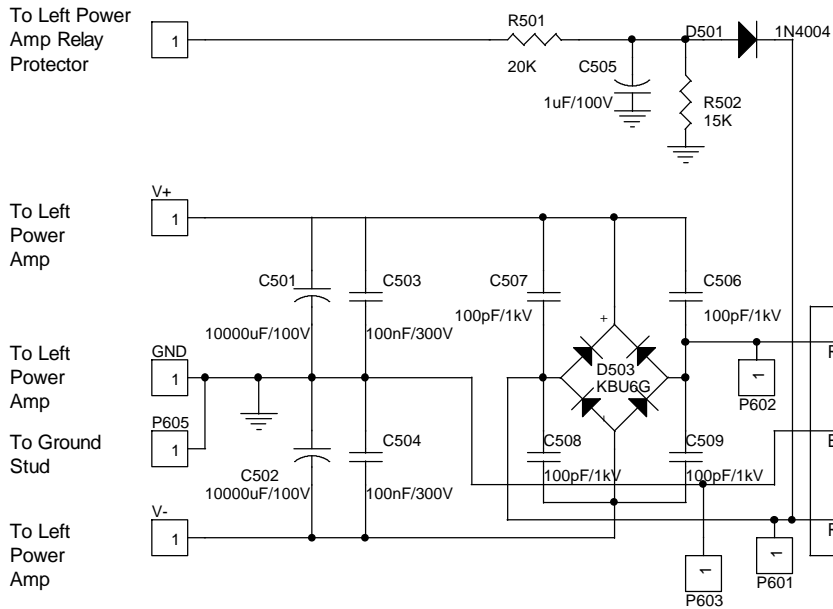
VERGENCE TECHNOLOGY, INC.		
Title		
A20 Input Buffer		
Size	Document Number	Rev C
Date:	Thursday, February 24, 2000	Sheet 1 of 1

Tone Control

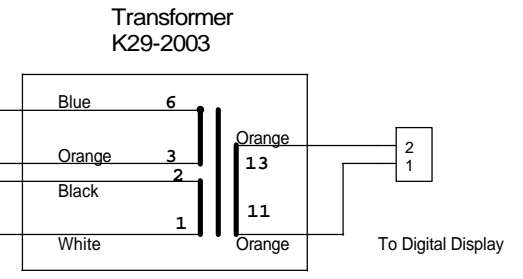
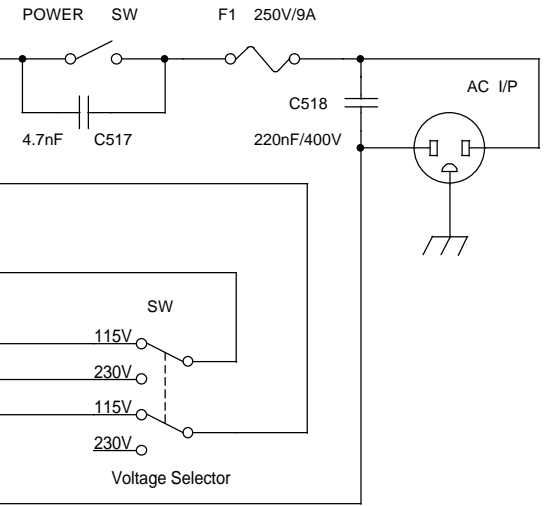
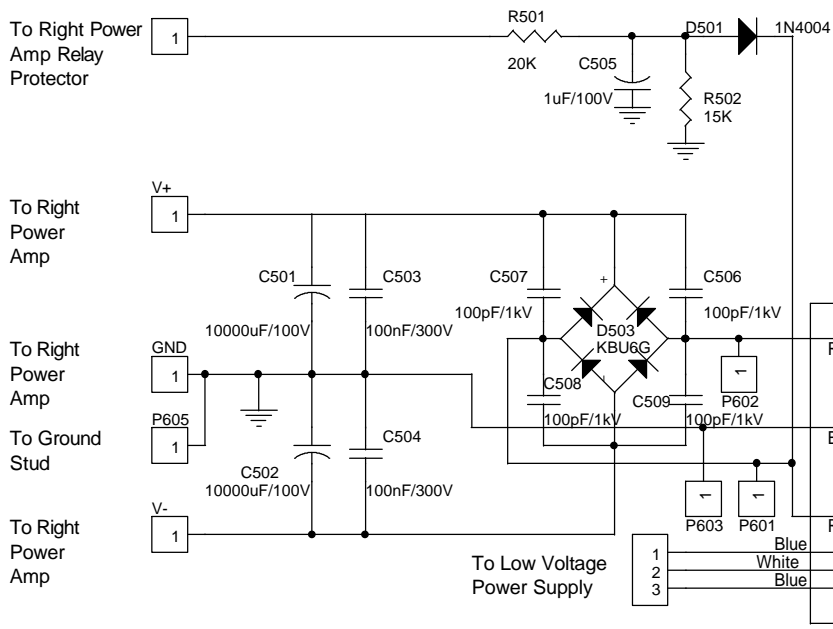


VERGENCE TECHNOLOGY, INC.		
Title A20 Tone Control		
Size	Document Number	Rev C
Date:	Thursday, February 24, 2000	Sheet D 1 of 1

LEFT POWER SUPPLY



RIGHT POWER SUPPLY



VERGENCE TECHNOLOGY, INC.		
Title A20 Power Supply		
Size	Document Number	Rev C
Date:	Thursday, February 24, 2000	Sheet 1 of 1