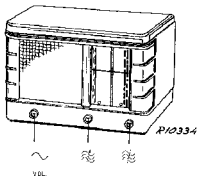


16,7-51 m  
186-585 m  
708-2000 m  
473 kc/s  
A-13 464 kc/s  
A-19 468 kc/s

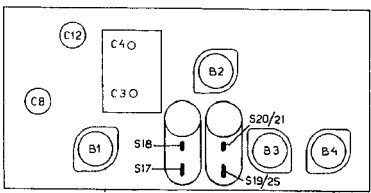
9648 Z = 2,5 Ω  
A-12 9678 Z = 5 Ω  
110 V, 125 V, 145 V  
200 V, 220 V, 245 V  
45 W



186-585 m I		186-585 m III		186-585 m V	
C3, C4 min max.	VOL max.	C3, C6 + 15°	max.	C3, C4	887 kc/s - 437 kc/s
473 kc/s-33000 pF-g1F1	⊖	1550 kc/s - 4	⊖	350 m	↑
464 kc/s (A-13)	⊖	C12, C18 max.			
468 kc/s (A-19)	⊖				
S19, S25-82 pF		708-2000 m III			
S20, S21 max.					
S19, S25	VOL max.	C3, C6 + 15°			
S20, S21-82 pF	⊖	400 kc/s - 4			
S19, S25 max.	⊖	C6 max.			
S20, S21	⊖				
S17-82 pF					
S18 max.					
S17					
S18-82 pF					
S17 max.					
S18					

15° 09 992 44.0

R1	9,47 MΩ	48 425 10/470K	C1	50 pF	49 029 01.0
R2	270 Ω	48 425 10/270S	C2	15 pF	48 406 10/39K
R3	47000 Ω	48 425 19/47K	C3	11,496 pF	28 212 06.2
R4	1800 Ω	48 467 10/18K	C4	11,496 pF	48 406 10/100E
R5	82 Ω	48 425 10/82E	C5	39 pF	48 406 10/39K
R6	1000 Ω	49 375 77.0	C6	32 pF	28 212 06.2
R7	27000 Ω	48 425 10/27K	C7	100 pF	48 406 10/100E
R8	1200 Ω	48 425 10/12K	C8	2,5-20 pF	48 005 05.2
R9	68000 Ω	48 425 10/68K	C9	47000 pF	48 750 20/47K
R10	47000 Ω	48 425 10/47K	C10	56 pF	48 406 10/56F
R11	0,5 MΩ	49 500 11.0	C11	470 pF	48 406 20/470E
R12	1 MΩ	49 375 60.0	C12	2,5-20 pF	49 005 05.2
R13	1,5 MΩ	49 375 62.0	C13	200 pF	28 212 08.2
R14	220 Ω	48 426 10/220E	C14	418 pF	48 429 01/418E
R15	470 Ω	48 427 10/470E	C15	39 pF	48 406 10/39K
R17	1,2 MΩ	49 375 63.0	C17	103 pF	---
R18	1 MΩ	49 375 60.0	C18	97 pF	---
R19	39000 Ω	48 427 10/39K	C19	47000 pF	48 750 20/47K
R20	33000 Ω	48 427 10/33K	C20	47000 pF	48 750 20/47K
R21	2,7 MΩ	49 376 65.0	C21	47000 pF	48 750 20/47K
R22	2,7 MΩ	49 376 65.0	C22	103 pF	---
			C23	103 pF	---
			C24	25 pF	28 182 04.1
			C25	3,9 pF	48 406 99/3E9
			C26	22000 pF	48 750 20/22K
			C27	100 pF	48 406 10/100E
			C28	56 pF	48 406 10/56F
			C29	4700 pF	48 750 20/47K
			C30	22 pF	48 406 10/22F
			C31	10 pF	48 406 99/10E
			C32	47000 pF	48 750 20/47K
			C33	0,1 pF	48 750 20/100K
			C34	47000 pF	48 750 10/47K

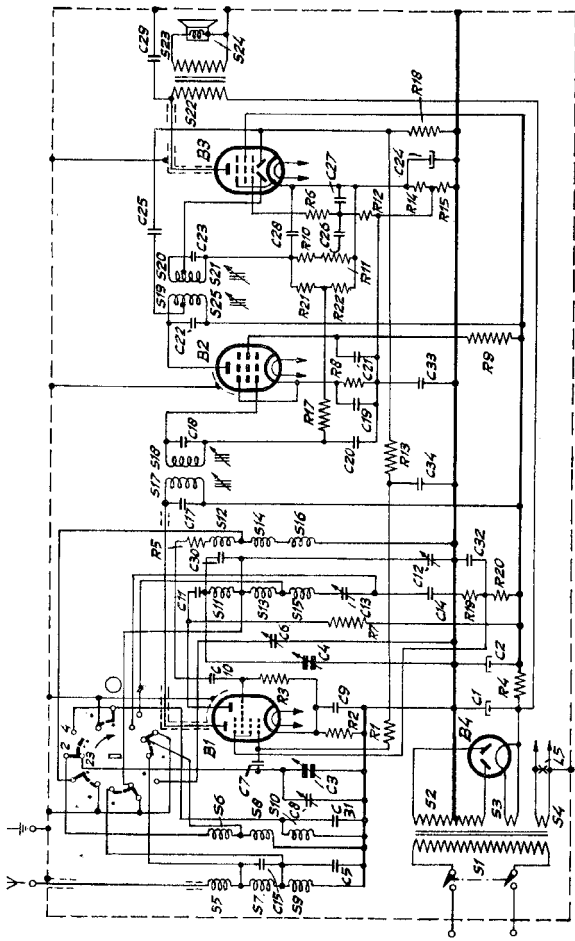


	B1	B2	B3	B4	
	ECH3	EF 9	EBL 1	AZ 1	
Va	αT 110 αH 236	230	265		V
Vg2(4)	97	120	240		V
Vk	2,4	25	22		V
Ia	αT 2,8 αH 3,3	5,5	24		mA
Ig2(4)	1,9	1,6	3,4		mA

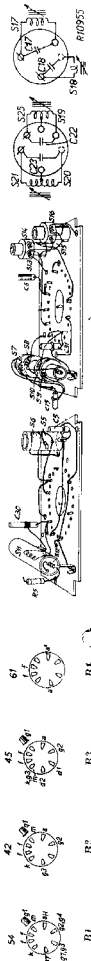
S1, S2, S3, S4	A1 055 52.1	S17, S18, C17, C18	A1 035 81.2
S5, S6	A1 000 59.0	S19, S25, S20, S21	28 573 90.1
S7, S8, S9, S10	A1 000 56.1	C22, C23	A1 080 73.0
S11, S12	A1 000 55.0	S22, S23	28 220 69.0
S13, S14	A1 000 58.0	S24	
S15, S16	A1 000 57.0		

Ve1 -- 276 V  
Ve2 -- 238 V

Copyright - N.V. Philips' Gloeilampenfabrieken Eindhoven, Holland  
Imprimé en Hollande



R10953



R10953

**STRICTLY CONFIDENTIAL**  
FOR PHILIPS SERVICE DEALERS ONLY

●  
COPYRIGHT 1939

# PHILIPS

## SERVICE DOCUMENTATION

for Receiver

# 206 A

FOR FEEDING FROM A.C. MAINS

### WAVERANGES.

Short wave range : 16.7— 51 m 18.0— 5.88 Mc(s)  
Medium wave range: 186 — 585 m (1610 —513 kc/s)  
Long wave range : 708 —2000 m ( 424 —150 kc/s).

### CONTROL KNOBS.

(from left to right):  
Volume control and mains switch.  
Tuning knob.  
Waverange switch.

**LOUD SPEAKER:** type 9648.

**WEIGHT:** 6.35 kg.

### DIMENSIONS:

Height: 25 cm }  
Width: 40 cm } Knobs included.  
Depth: 21 cm }

### BANDWIDTH:

I.F.: From the control grid (top) of L1 the 1 : 10 band-width lies at about 10 kc/s.  
Overall: Medium wave band: From the aerial socket the 1 : 10 band-width lies at about 9 kc/s.  
Long wave band: From the aerial socket the 1 : 10 band-width lies at about 8 kc/s.

### ADJUSTING THE RECEIVER.

For adjusting the receiver it is necessary to take the chassis out of the cabinet; a number of trimmers are under the chassis. The position of the trimmers is indicated in figs. 3 and 4. In all the waveranges the oscillator frequency is higher than the frequency of the H.F. circuits. The I.F. is 475 kc/s.

### I.F. CIRCUITS.

1. Set the waverange switch at medium waves, the variable condenser at minimum and the volume control at maximum.
2. Connect the output indicator via a trimming transformer to the loudspeaker.
3. Apply a modulated signal of 473 kc/s to the control grid.
4. Detune S19-S25 with a condenser of 80 pF. Trim S20-S21 to maximum output. Then take away the detuning condenser.
5. Detune S21, trim S19-S25.
6. Detune S17, trim S18.
7. Detune S18, trim S17.
8. Seal the iron cores.

### H.F. AND OSCILLATOR CIRCUITS.

#### MEDIUM WAVE BAND.

Set the waverange switch at medium waves and the volume control at maximum.

2. Connect the output indicator via a trimming transformer to the loudspeaker.
3. Adjust the variable condenser with the 15° gauge.
4. Apply a modulated signal of 1550 kc/s to the aerial socket via a standard dummy aerial.
5. Tune C12 and C8 to maximum output (fig. 3).
6. Seal the trimmers. Remove the 15° gauge.

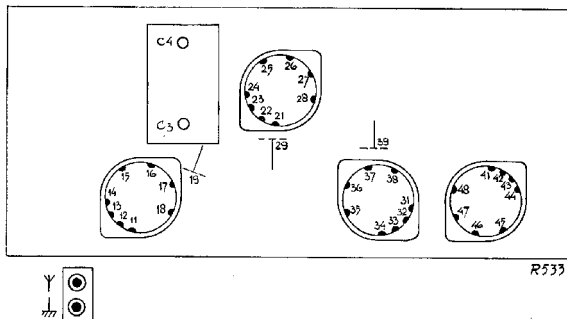
#### LONG WAVE BAND.

Trimming of this band is effected in entirely the same way as the trimming of the medium wave band. However, the trimming frequency is 400 kc/s, whilst only C6 is trimmed.

### ADJUSTING THE DIAL.

1. Apply a modulated signal of 857 kc/s via the standard artificial to the aerial socket of the receiver.
2. Carefully tune the receiver to that frequency.
3. Readjust the pointer at the driving cord to 350 m by means of the little 3 m.m. screw.

MEASURING TABLE



R533

RESISTANCE

12	11	12/ /13	21	22/ /23	32/ /33	42/ /43	2 x Y		3 x C3			C4					
							S.W.	M.W.	S.W.	M.W.	L.W.	S.W.					
	10	10	10	10	10	10	90	360	15	155	400	10					
11	14	18	24	25	28	34	38	45	48	Y	2 x C4						
	285	450	460	450	450	385	400	275	270	LW	MW	LW					
										245	500	500					
10	15	16	17	27													
	200	150	260	110													
9	19	29	35	36	39												
	55	50	220	135	130												

CAPACITY

12																	
11	27	29															
	185	115															
10																	
9																	

The numbering at the contacts agrees with the numbering in the lay-out and wiring diagrams. 9 = top connection.

## LIST OF PARTS AND TOOLS.

When ordering parts always mention:

1. Code number.
2. Description.
3. Type number of the receiver.

Fig.	Pos.	Description	Code No.	Price
5	1	Cabinet (colour 041) .....	23 661 06.0	
5	2	Loudspeaker cloth .....	06 601 29.0	
5	3	Tuning knob (colour 041) .....	23 612 54.0	
5	4	Knop for waverange switch and volume control (colour 041) .....	23 610 90.0	
5	5	Station name dial .....	A1 893 18.0	
5	6	Pointer .....	A1 349 28.0	
		Shaft of tuning knob .....	A1 436 84.2	
		Trade mark disc .....	28 713 27.1	
		Rear panel .....	A1 341 81.0	
		Plate with pins for mains connection .....	A1 355 01.0	
		Bolt for fixing the speaker .....	07 558 17.0	
		Dial lamp holder .....	08 515 27.1	
		Rubber duct for resilient fixing of the variable condenser .....	28 725 52.0	
		Draw spring on driving drum .....	A1 975 10.1	
		Ring (14 mm) .....	07 027 13.0	
		Ring (10 mm) .....	28 453 96.0	
		Element of waverange switch .....	49 543 63.1	
		<b>LOUDSPEAKER (TYPE 9648).</b>		
		Milled flange ring .....	49 238 01.0	
		Paper ring .....	25 873 41.0	
		<b>IMPLEMENTS.</b>		
		Service oscillator .....	GM 2880 F	
		Universal measuring apparatus .....	GM 4256	
		Universal and tube measuring apparatus .....	GM 7629	
		Insulated trimming key 6 mm .....	23 685 66.0	
		Insulated trimming screwdriver .....	M 646 38.2	
		15° gauge .....	09 992 44.0	

## COILS

	Value	Code number	Price
S1			
S2	480 ohm	A1 055 52.1	
S3	< 1 ohm		
S4	1 ohm	A1 000 59.0	
S5	2 ohm		
S6	< 1 ohm	A1 000 56.0	
S7	23 ohm		
S8	4 ohm	A1 000 55.0	
S9	170 ohm		
S10	45 ohm	A1 000 58.0	
S11	< 1 ohm		
S12	1 ohm	A1 000 57.0	
S13	7 ohm		
S14	2 ohm	A1 035 83.0	
S15	16 ohm		
S16	250 ohm	28 573 90.1	
S17	7 ohm		
S18	7 ohm	A1 080 73.0	
S19	103 pF		
S20	97 pF	28 220 69.0	
S21	3 ohm		
S22	—		
S23	3.5 ohm		
S24	103 pF		
S25	103 pF		
S26	700 ohm		
S27	< 1 ohm		
S28	20 ohm		

## RESISTANCES

	Value	Code number	Price
R1	0,47 M.ohm	49 375 56.0	
R2	270 ohm	49 375 17.0	
R3	47.000 ohm	49 375 44.0	
R4	1.800 ohm	49 356 30.0	
R5	82 ohm	49 375 11.0	
R6	1.000 ohm	49 375 77.0	
R7	27.000 ohm	49 377 41.0	
R8	1.200 ohm	49 375 25.0	
R9	68.000 ohm	49 376 46.0	
R10	47.000 ohm	49 375 44.0	
R11	0,5 M.ohm	49 500 11.0	
R12	1 M.ohm	49 375 60.0	
R13	1,5 M.ohm	49 375 62.0	
R14	220 ohm	49 376 16.0	
R15	470 ohm	49 377 20.0	
R16	1,8 M.ohm	49 375 63.0	
R17	1 M.ohm	49 375 60.0	
R18	39.000 ohm	49 377 43.0	
R19	33.000 ohm	49 377 42.0	
R20	2,7 M.ohm	49 376 65.0	
R21	2,7 M.ohm	49 376 65.0	
R22	2,7 M.ohm	49 376 65.0	

## TUBES

L1	L2	L3	L4
ECH3	EF9	EBL1	AZ1

Dial light lamp: 8045D-00.

## CONDENSERS

	Value	Code number	Price
C1	50 pF	49 029 01.0	
C2	15 pF		
C3	11-490 pF	28 212 52.0	
C4	11-490 pF		
C5	39 pF	49 055 23.0	
C6	32 pF	28 212 06.1	
C7	100 pF	49 055 28.0	
C8	2,5-20 pF	49 005 03.0	
C9	47.000 pF	49 127 61.0	
C10	56 pF	49 055 25.0	
C11	470 pF	49 055 53.0	
C12	2,5-20 pF	49 005 03.0	
C13	120 pF	49 081 46.0	
C14	418 pF	49 081 54.0	
C15	39 pF	49 055 23.0	
C16	103 pF	See "Coils"	
C17	97 pF		
C18	47.000 pF	49 127 61.0	
C19	47.000 pF	49 127 61.0	
C20	47.000 pF	49 128 61.0	
C21	47.000 pF	49 128 61.0	
C22	103 pF	See "Coils"	
C23	103 pF		
C24	25 pF	28 182 24.1	
C25	3,9 pF	49 055 11.0	
C26	22.000 pF	49 127 59.0	
C27	100 pF	49 055 28.0	
C28	56 pF	49 055 25.0	
C29	4.700 pF	49 126 54.0	
C30	22 pF	49 055 20.0	
C31	10 pF	49 055 16.0	
C32	47.000 pF	49 128 61.0	
C33	0,1 pF	49 127 63.0	
C34	47.000 pF	49 127 22.0	

## CURRENTS AND TENSIONS

	Va	Vg2(4)	Vk	Ia	Ig2(4)
L1	triode 110	—	—	2.8	1.9
	hexode 236	97	2.4	3.3	—
L2	230	120	25	5.5	1.6
L3	265	240	22	24	3.4
	Volt	Volt	Volt	mA	mA

Vc1 = 276 V Ia totale = 46 mA.  
 Vc2 = 238 V Primary consumption 43 Watt.  
 The wiring of the coil-assembly is indicated in Fig. 6.

206A

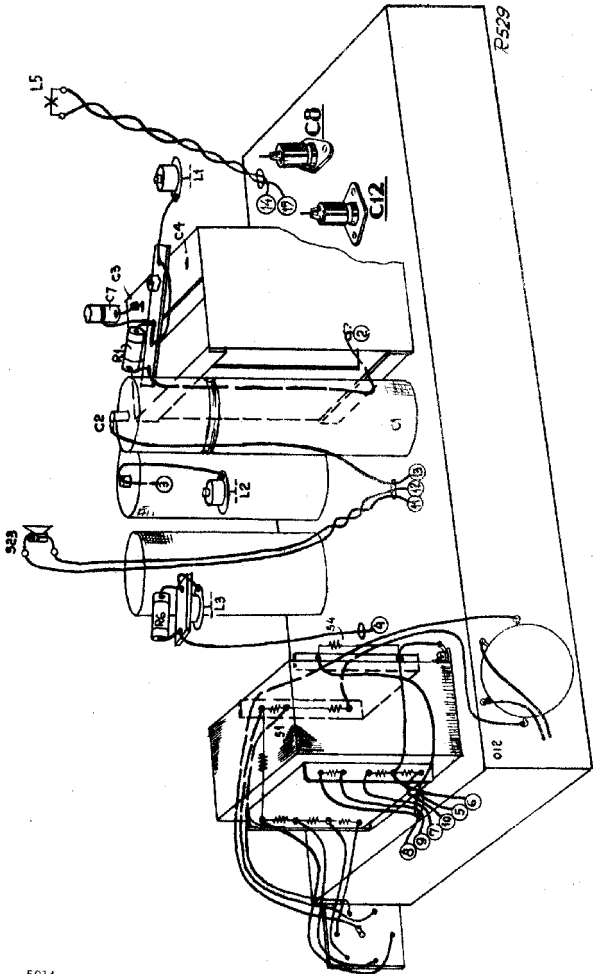
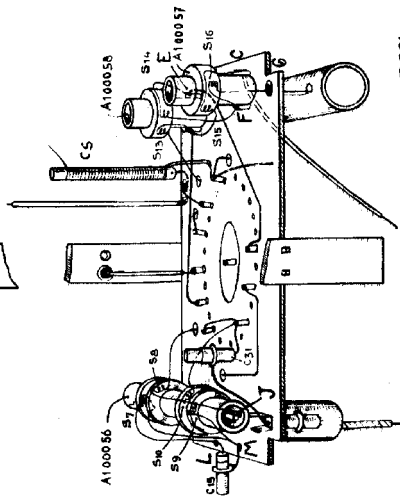
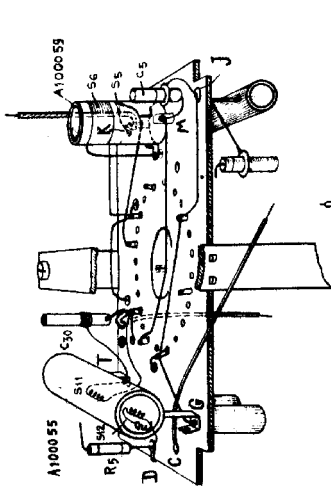


fig. 3







R551

fig. 6

206 A

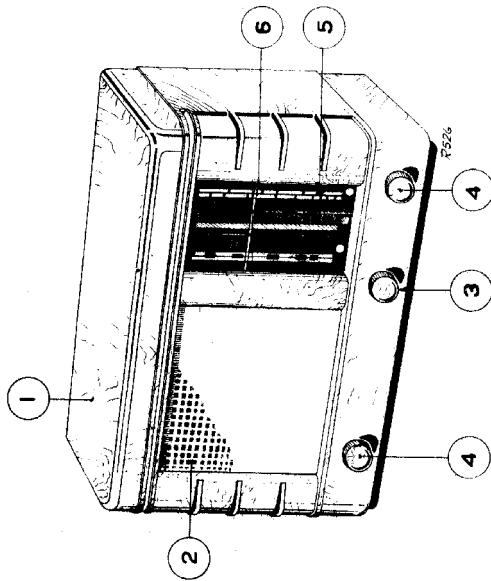


fig. 5

# 206A

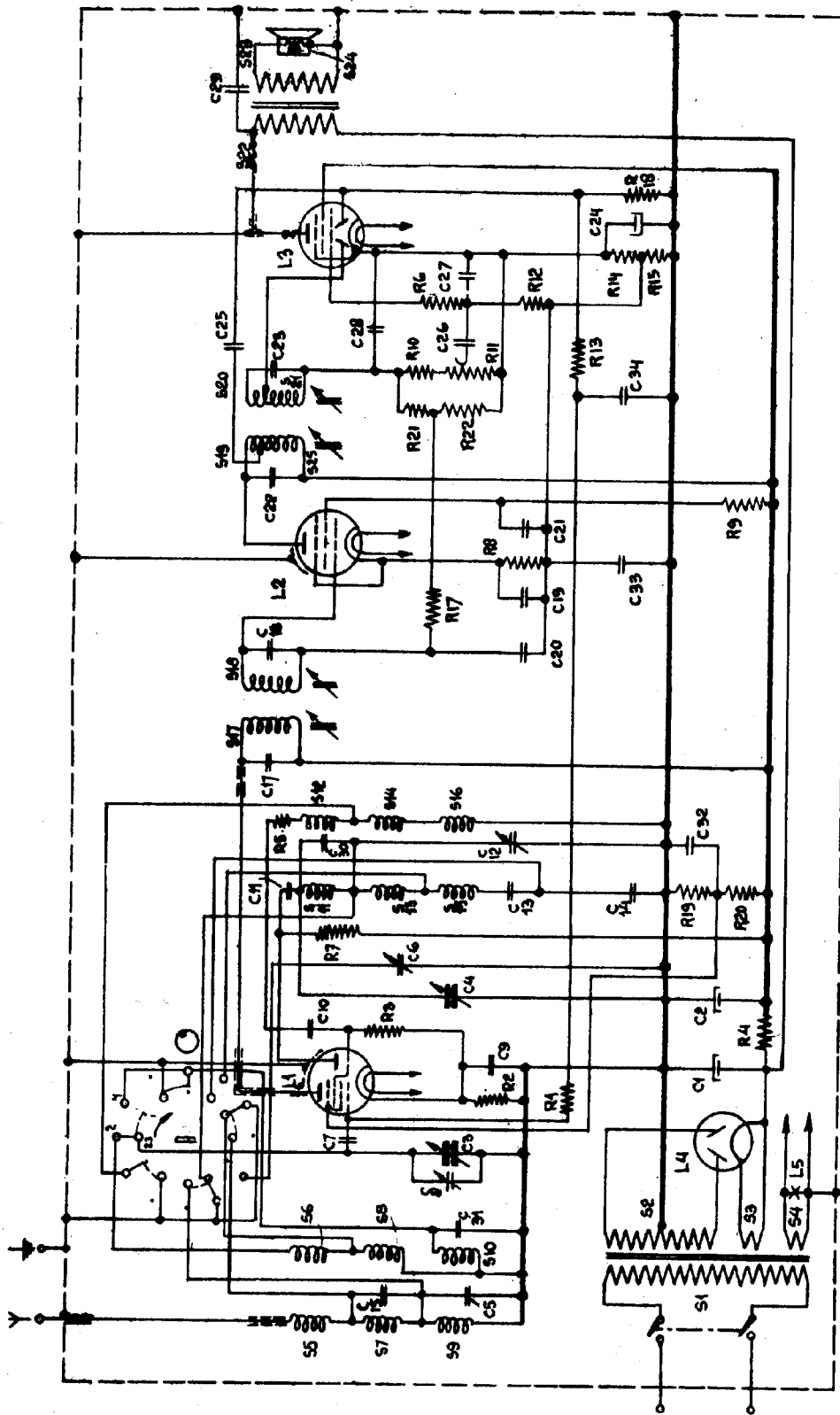


fig.1

R527

- S: 1.2.3.4.5.6.7.8.9.10. 11.12.13.14.15.16. 17. 18. 19.20.21.22.23.24.25.26.27.28. 29. 30. 31. 32. 33. 34. 35. 36. 37. 38. 39. 40. 41. 42. 43. 44. 45. 46. 47. 48. 49. 50. 51. 52. 53. 54. 55. 56. 57. 58. 59. 60. 61. 62. 63. 64. 65. 66. 67. 68. 69. 70. 71. 72. 73. 74. 75. 76. 77. 78. 79. 80. 81. 82. 83. 84. 85. 86. 87. 88. 89. 90. 91. 92. 93. 94. 95. 96. 97. 98. 99. 100.

