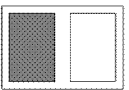
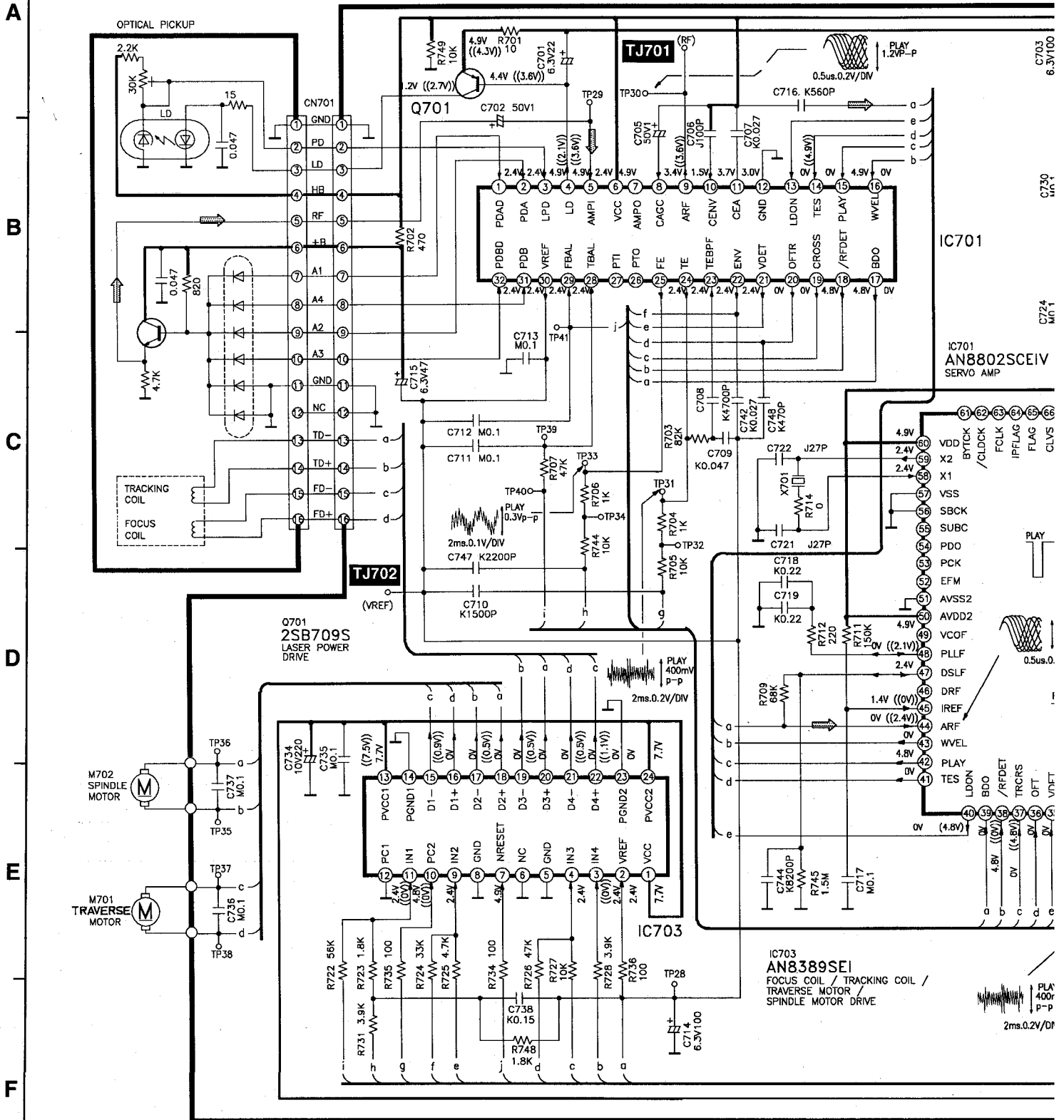
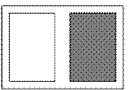
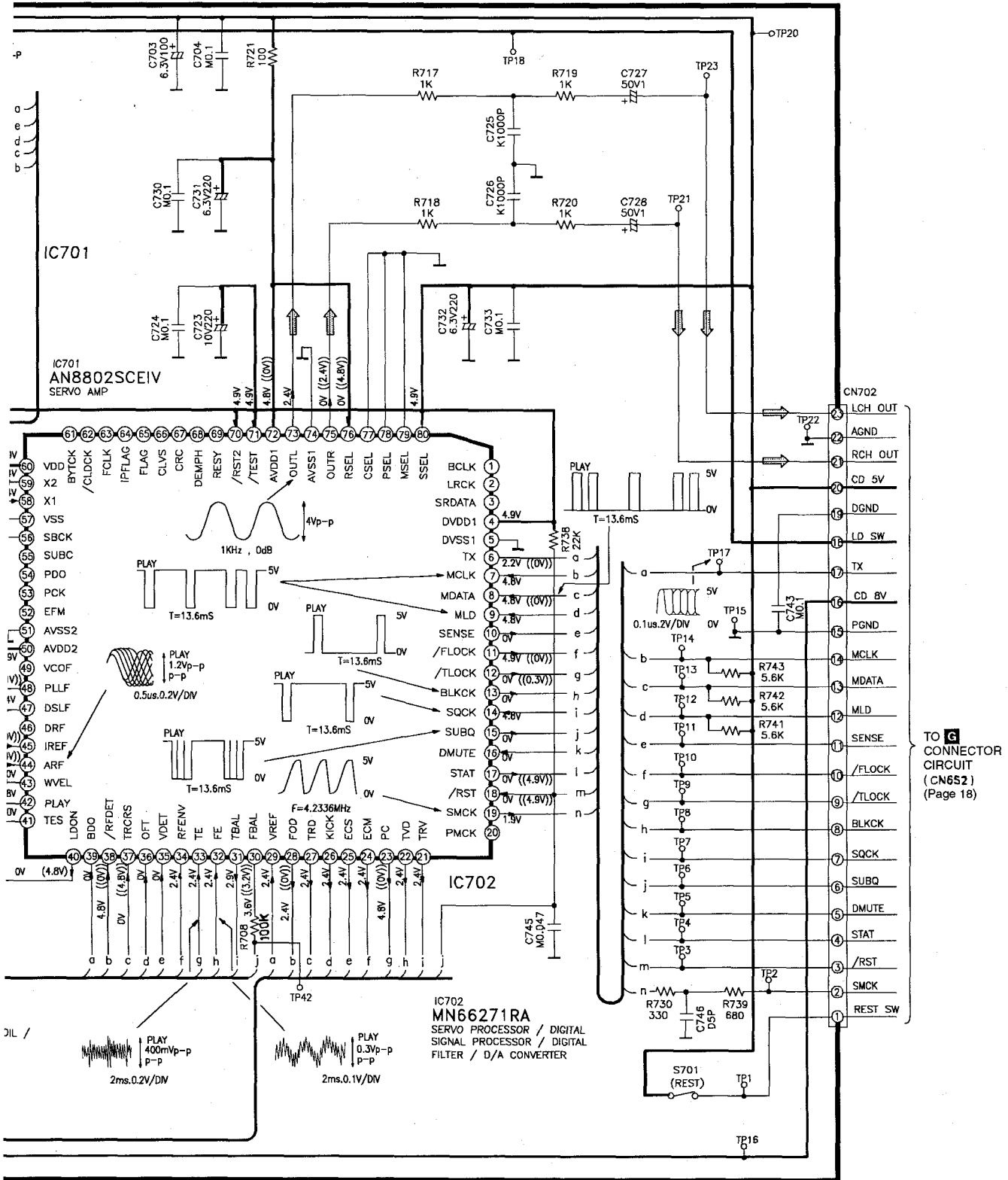


SCHEMATIC DIAGRAM

1 2 3 4 5

A SERVO CIRCUIT





SCHEMATIC DIAGRAM

1 2 3 4 5

A

B

C

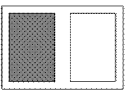
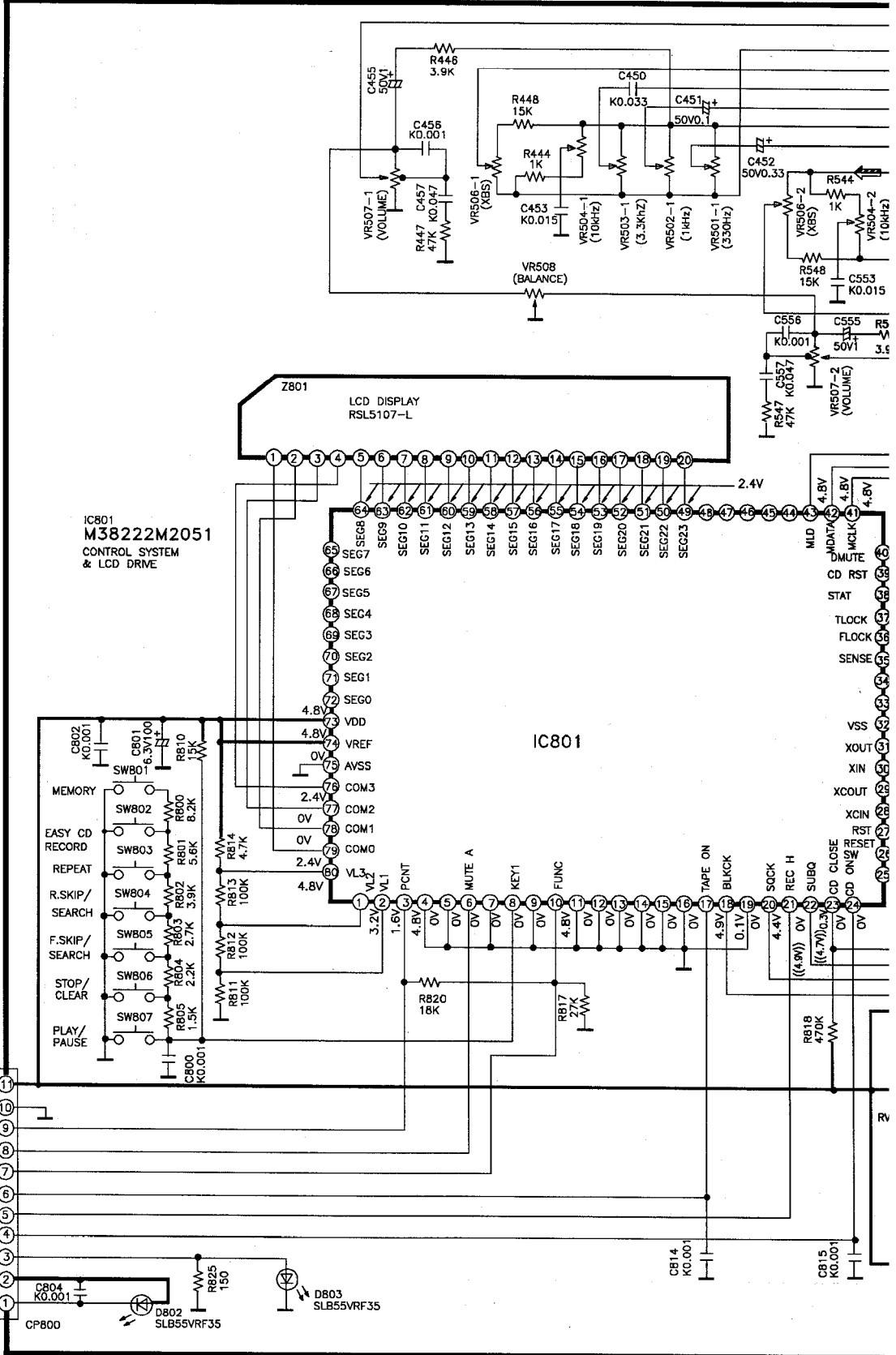
D

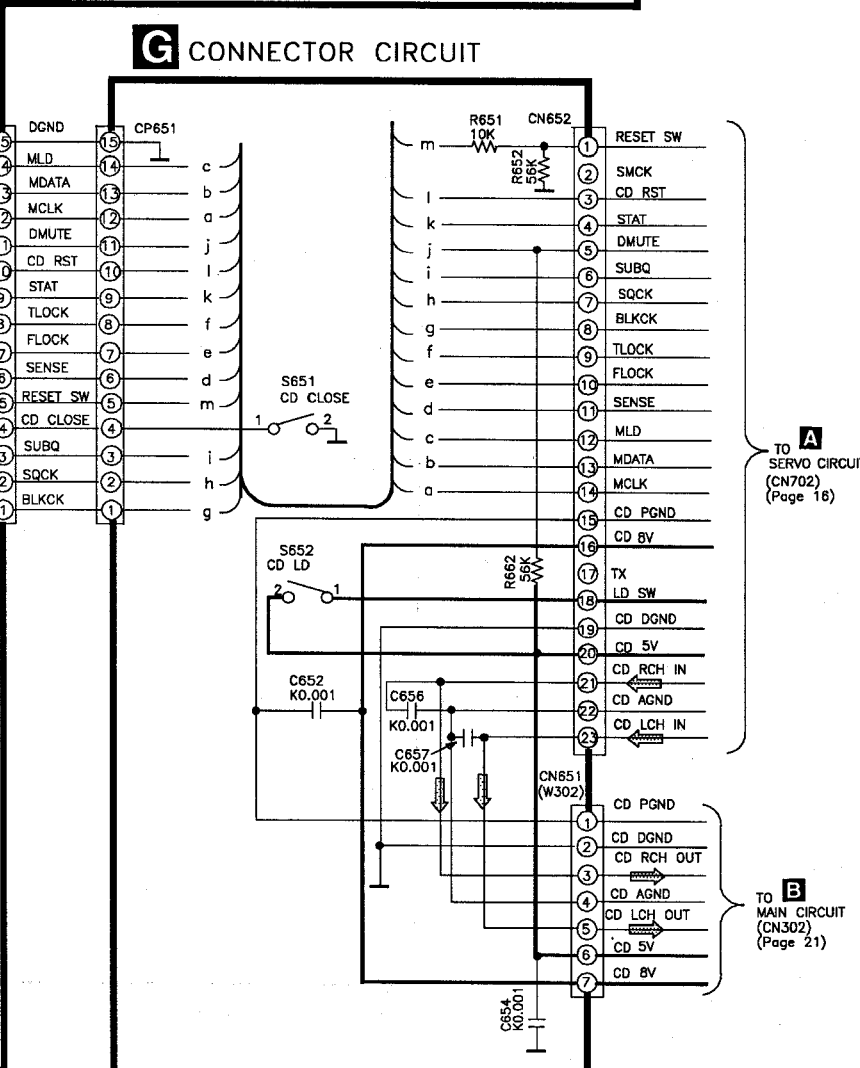
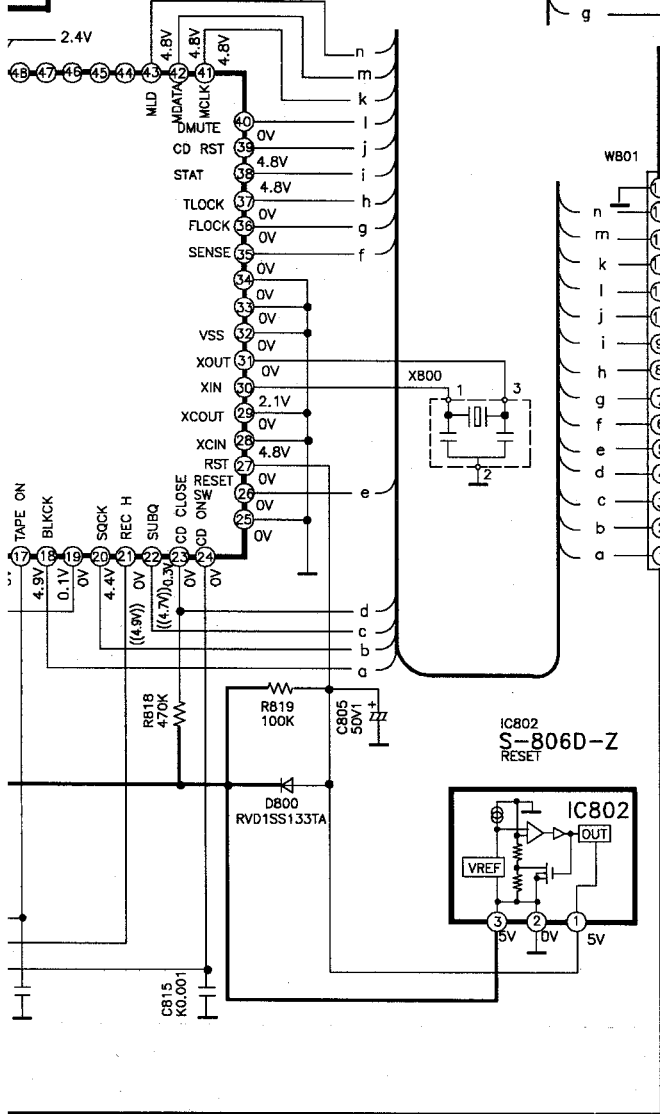
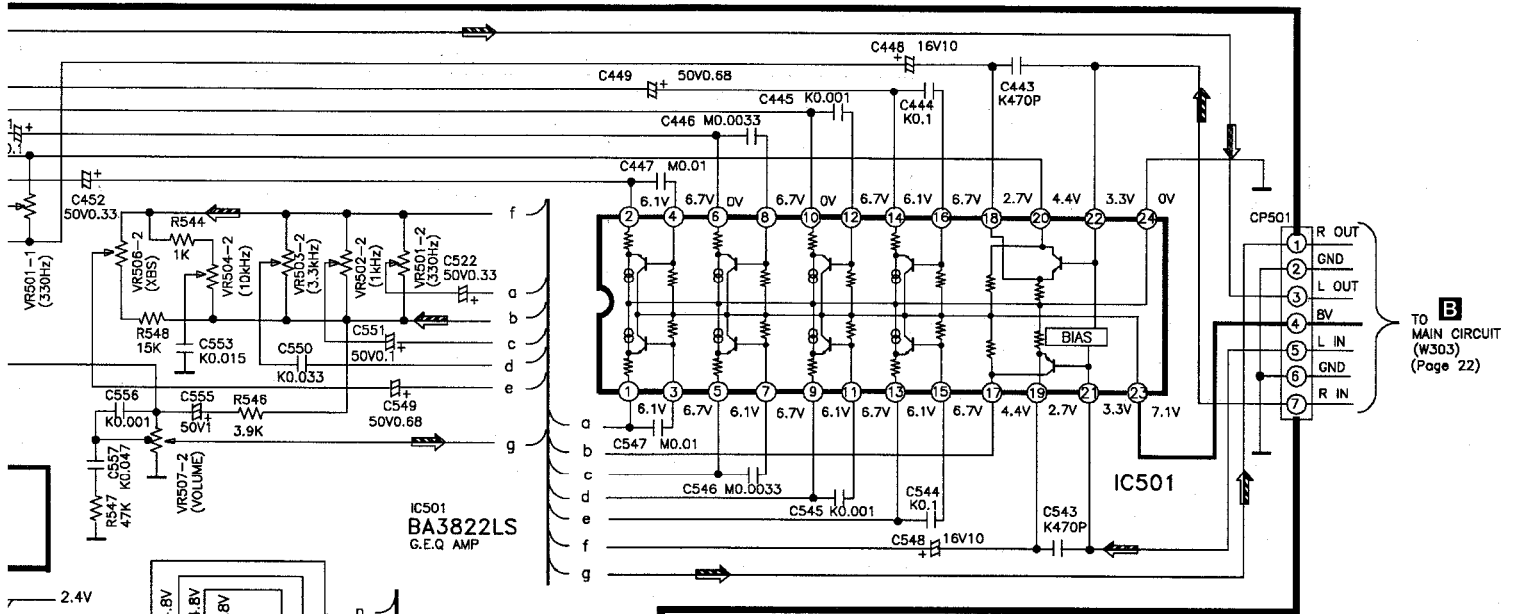
E

F

F CONTROL CIRCUIT

B
TO MAIN CIRCUIT
(W304)
(Page 22)

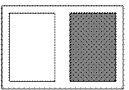




B
TO MAIN CIRCUIT (W303) (Page 22)

A
TO SERVO CIRCUIT (CN702) (Page 16)

B
TO MAIN CIRCUIT (CN302) (Page 21)



SCHEMATIC DIAGRAM

1 2 3 4 5

A

B

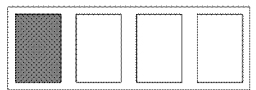
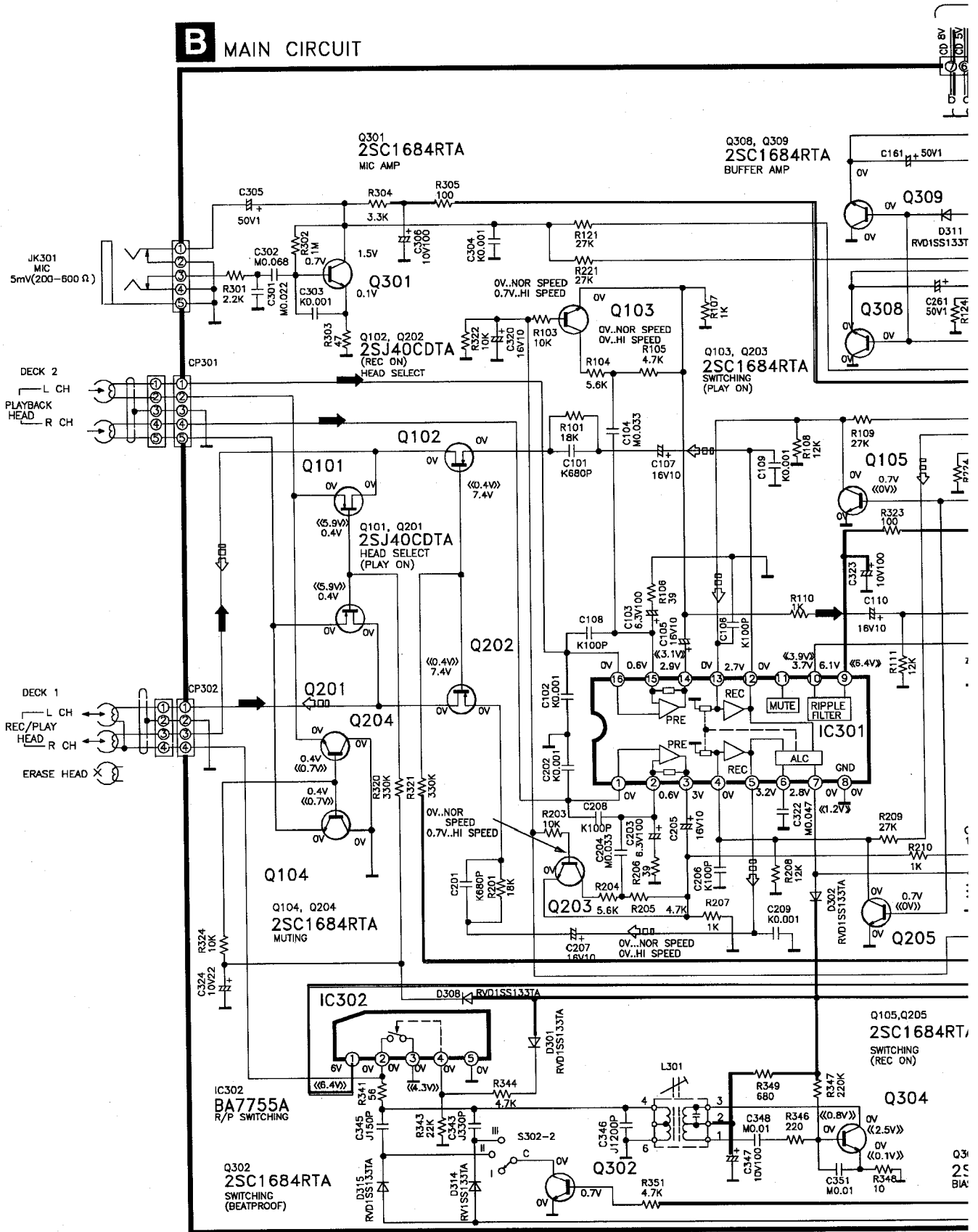
C

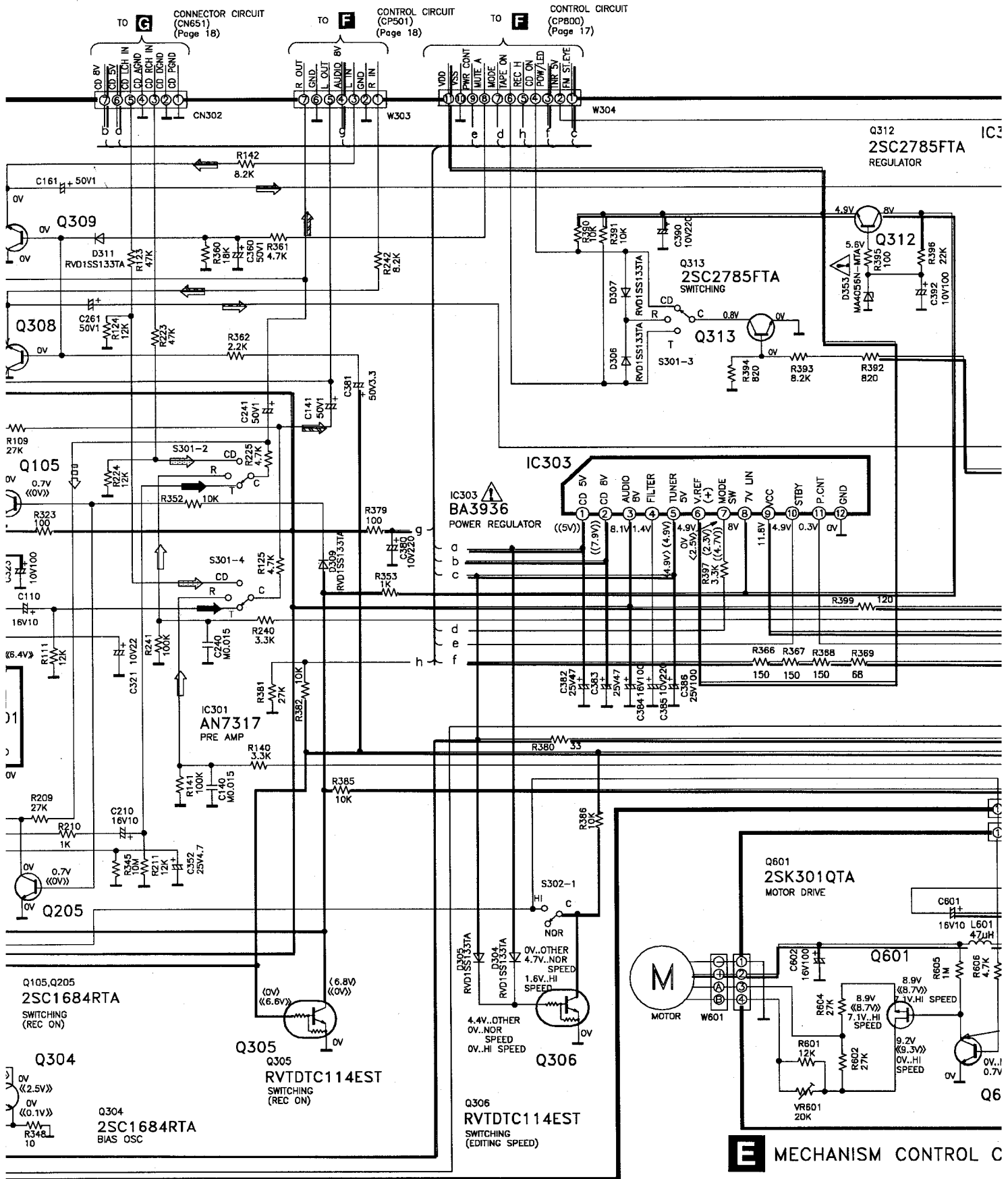
D

E

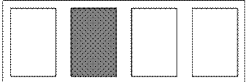
F

B MAIN CIRCUIT

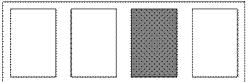
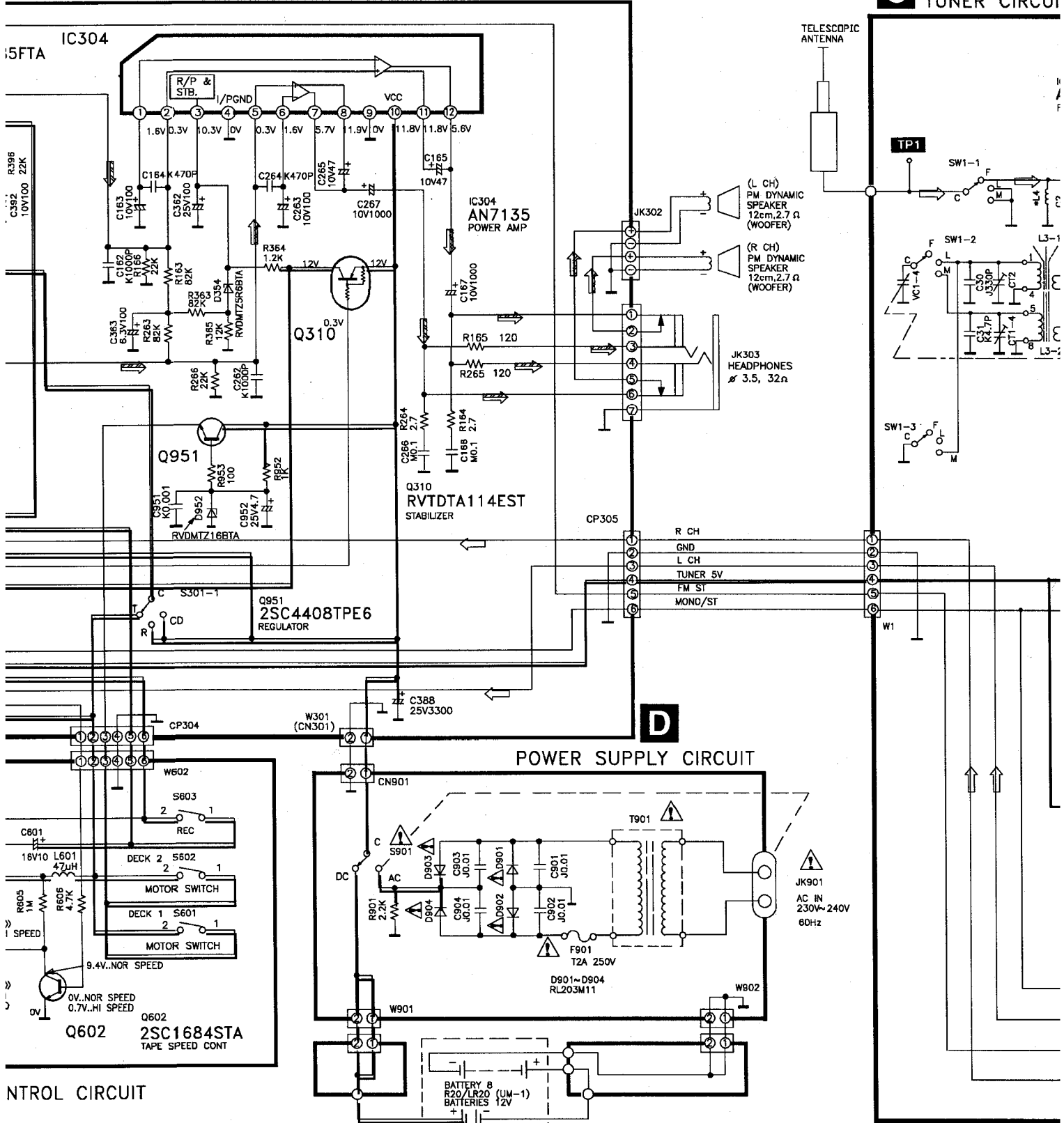




E MECHANISM CONTROL C



C TUNER CIRCUIT



R CIRCUIT

