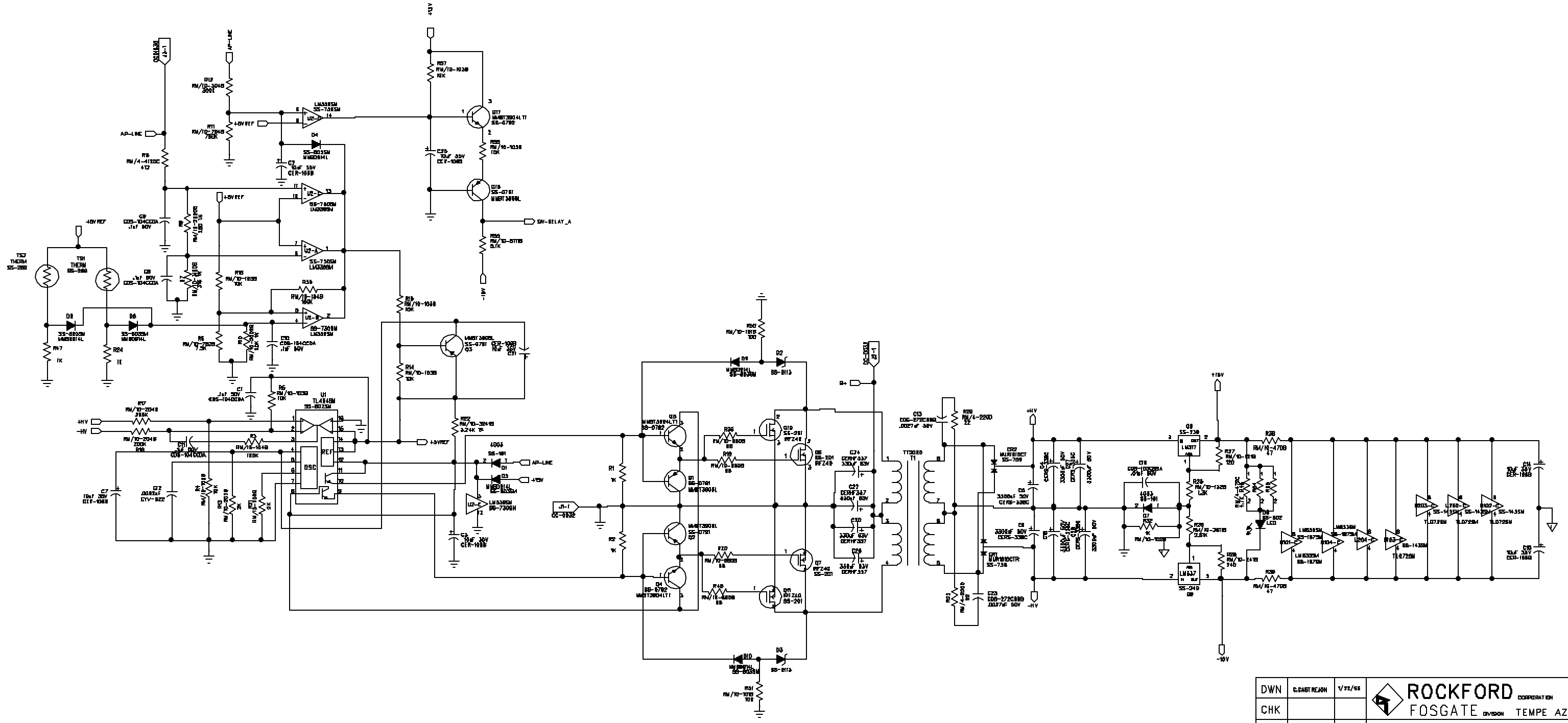


- NOTES: UNLESS SPECIFIED OTHERWISE
 1. ALL RESISTORS IN OHMS
 2. ALL CAPACITORS IN MICROFARADS
 3. COMMON PARTS DESIGNATORS 1 TO 99
 4. LEFT CHANNEL DESIGNATORS 101 TO 199
 5. RIGHT CHANNEL 201 TO 299

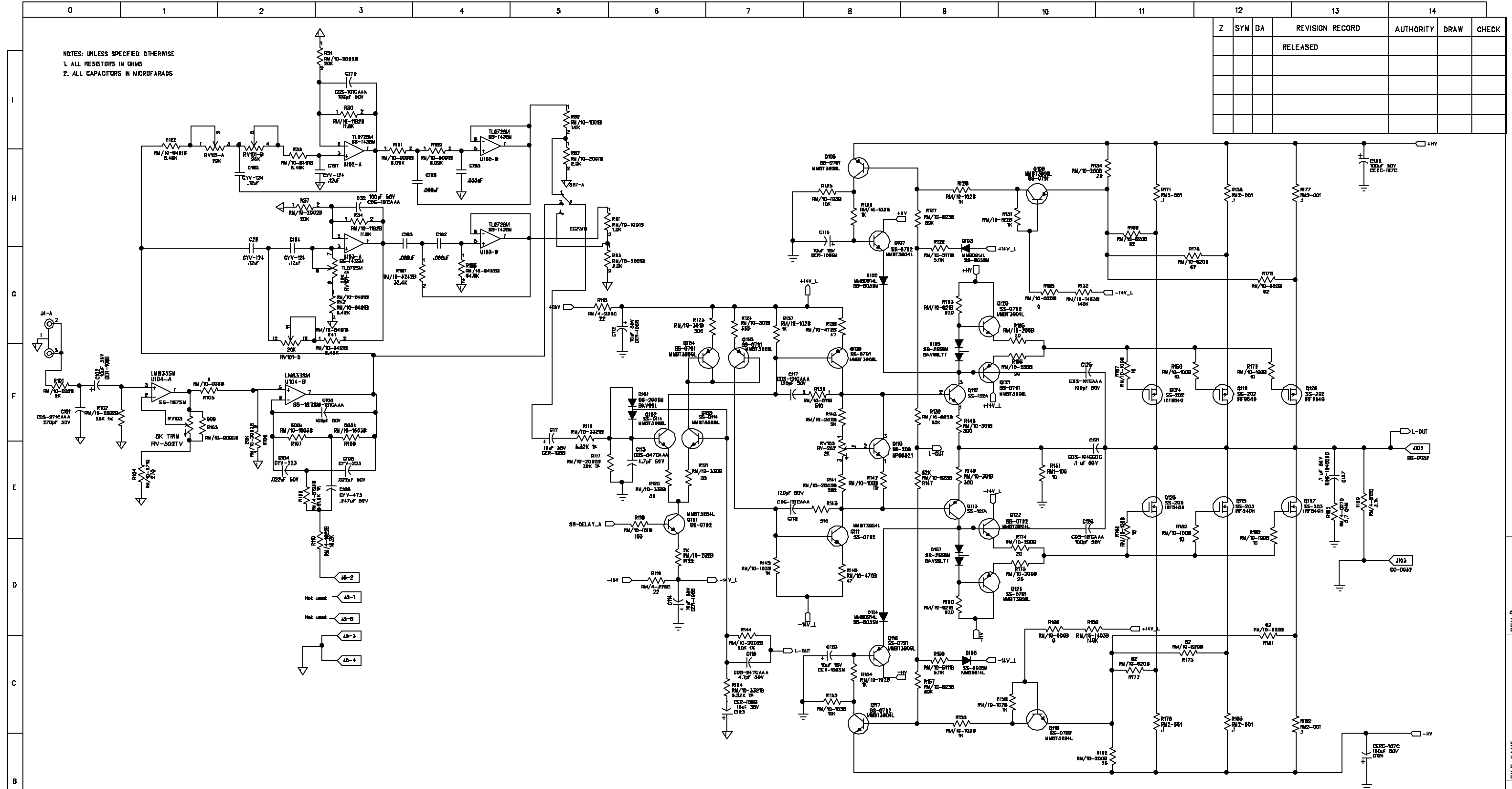
Z	SYM	DA	REVISION RECORDED	AUTHORITY	DRN	CHK
			RELEASED			



DWN	C.DASTREJON	1/92/01	ROCKFORD FOSGATE CORPORATION DIVISION TEMPE AZ
CHK			
ENGR	C.DASTREJON	1/22/01	TITLE
APVD	C.DASTREJON	1/25/01	H500a2 Power Supply
APVD			SIZE SCALE SHEET 1 OF 3
MATL/FS	FILE NAME	PART NO.	REV
	PC-2538-C		e

I
H
G
F
E
D
C
B
A

REV
FILE NAME
PART NO.



NOTES: UNLESS SPECIFIED OTHERWISE
 1. ALL RESISTORS IN OHMS
 2. ALL CAPACITORS IN MICROFARADS

Z	SYN	DA	REVISION RECORD	AUTHORITY	DRAW	CHECK
			RELEASED			

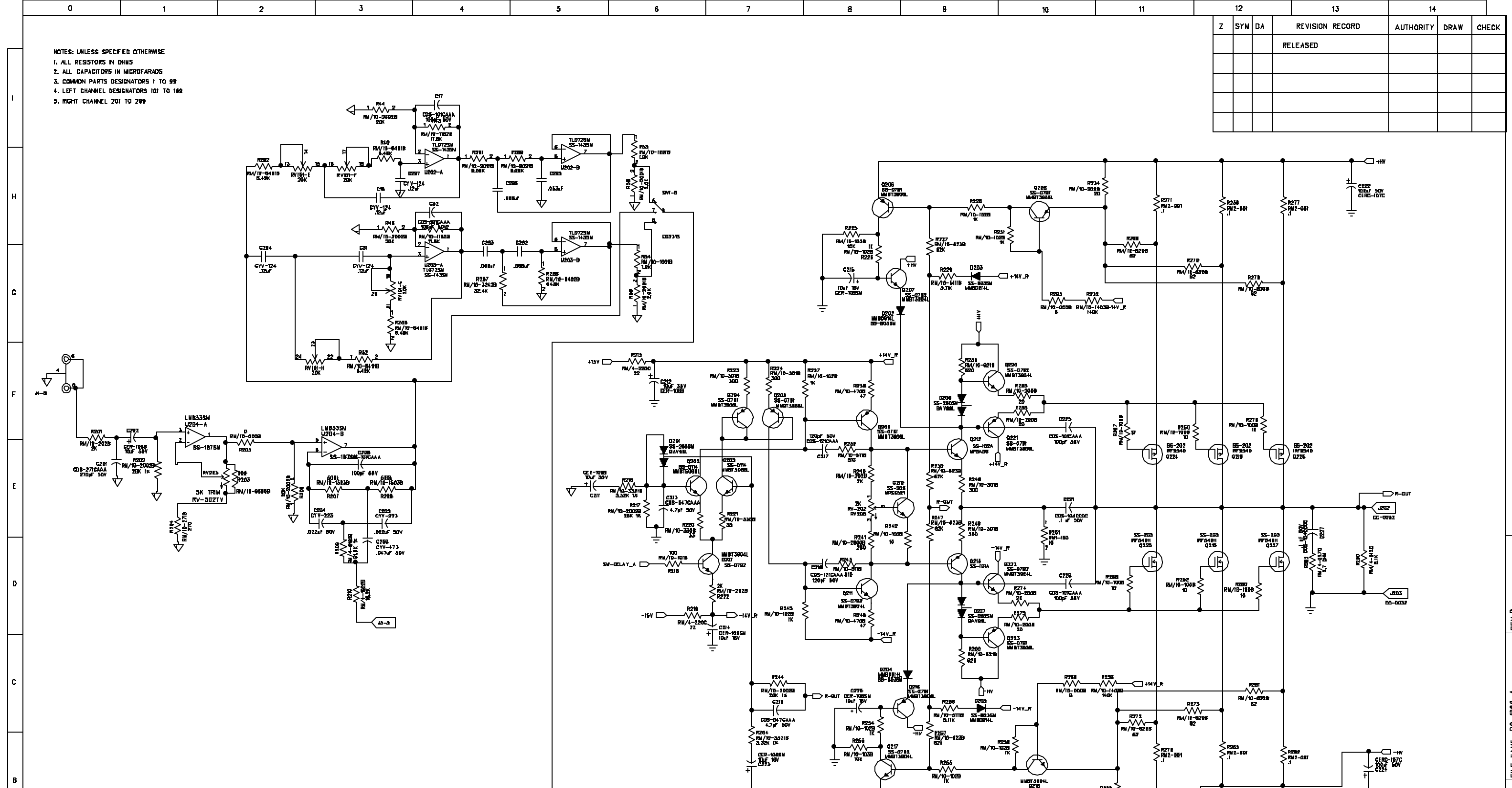
DWN	C.CASTREJON	1/26/03	ROCKFORD FOSGATE CORPORATION DIVISION TEMPE AZ
CHK			
ENGR	C.CASTREJON	1/25/03	TITLE
APVD	C.CASTREJON	1/25/03	H500a2 LEFT CHANNEL
APVD			SIZE D
MATL/FS			SHEET 2 OF 3
	FILE NAME	PART NO.	REV
	PC-2335-C		C

I
H
C
F
E
D
C
B
A

REV B
FILE NAME
PART NO.

- NOTES: UNLESS SPECIFIED OTHERWISE
 1. ALL RESISTORS IN OHMS
 2. ALL CAPACITORS IN MICROFARADS
 3. COMMON PARTS DESIGNATORS 1 TO 99
 4. LEFT CHANNEL DESIGNATORS 101 TO 199
 5. RIGHT CHANNEL DESIGNATORS 201 TO 299

Z	SYN	DA	REVISION RECORD	AUTHORITY	DRAW	CHECK
			RELEASED			



DWN	C.CASTREJON	1/26/98	ROCKFORD FOSGATE CORPORATION DIVISION TEMPE AZ		
CHK					
ENGR	C.CASTREJON	1/25/98	TITLE H500a2 RIGHT CHANNEL		
APVD	C.CASTREJON	1/25/98			
APVD			SIZE D	SHEET 3 OF 3	
MATL/FS			FILE NAME	PART NO.	REV
			PC-2335-C		C

I
H
C
F
E
D
C
B
A

REV B
FILE NAME PC-4340-A
PART NO.