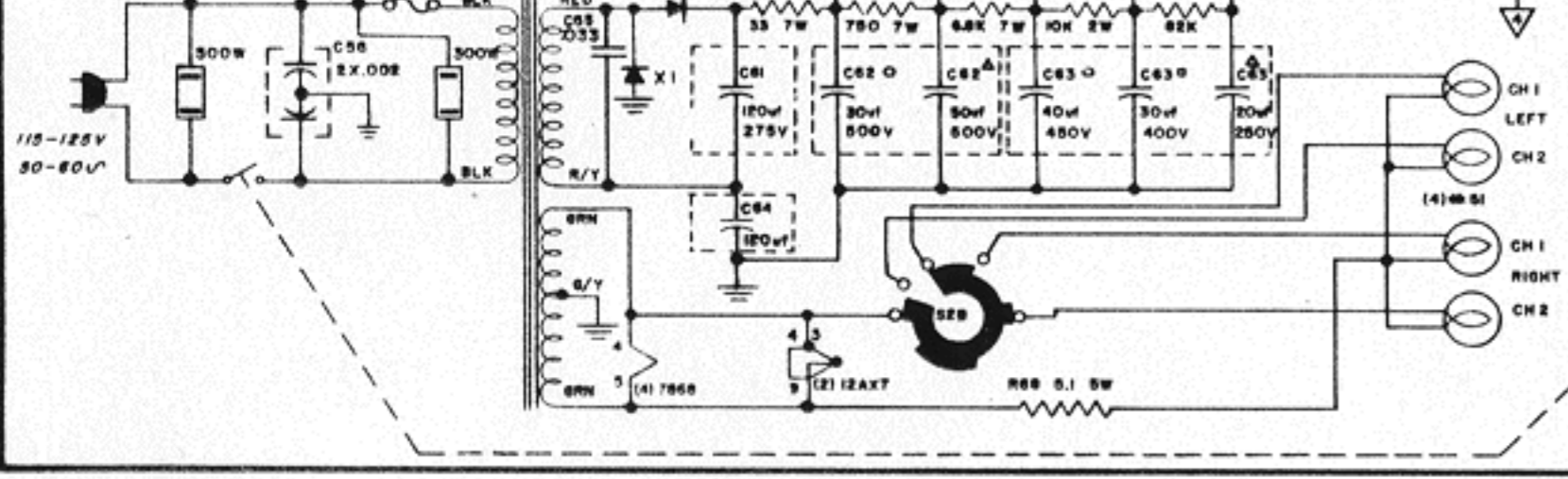


CHANNEL 1 (LEFT)
CHANNEL 2 (RIGHT)

- SELECTOR SWITCH POSITIONS (S1)**
- 1) TAPE HEAD
 - 2) MAGNETIC PHONO
 - 3) TUNER
 - 4) AUXILIARY
- FUNCTION SWITCH POSITIONS (S2)**
- 1) STEREO NORMAL
 - 2) STEREO REVERSE
 - 3) MONO CH1
 - 4) MONO CH2
 - 5) MONO CH1 & CH2



SHERWOOD MODEL S-5000 II 80 WATT STEREO AMPLIFIER

NOTES:

*Match within 1%. All resistors are 1/2 watt, ±10% tolerance unless otherwise specified. All fractional-valued capacitors are in µf and are 400v, molded paper; other capacitors, except electrolytics, are in µf and are mica or ceramic.

DC voltages are measured with VTVM and are with 117v. power source. Voltages shown in parenthesis are rms, mid-frequency sensitivities for 20 watts output with tone controls at flat and loudness and level controls at maximum. Selector and Function switches are shown in their most counter-clockwise (tape and STEREO) positions.

Notation	Multiplier
K	1000
M	1,000,000
µ	1/1,000,000

SERIAL No. 545200 AND UP