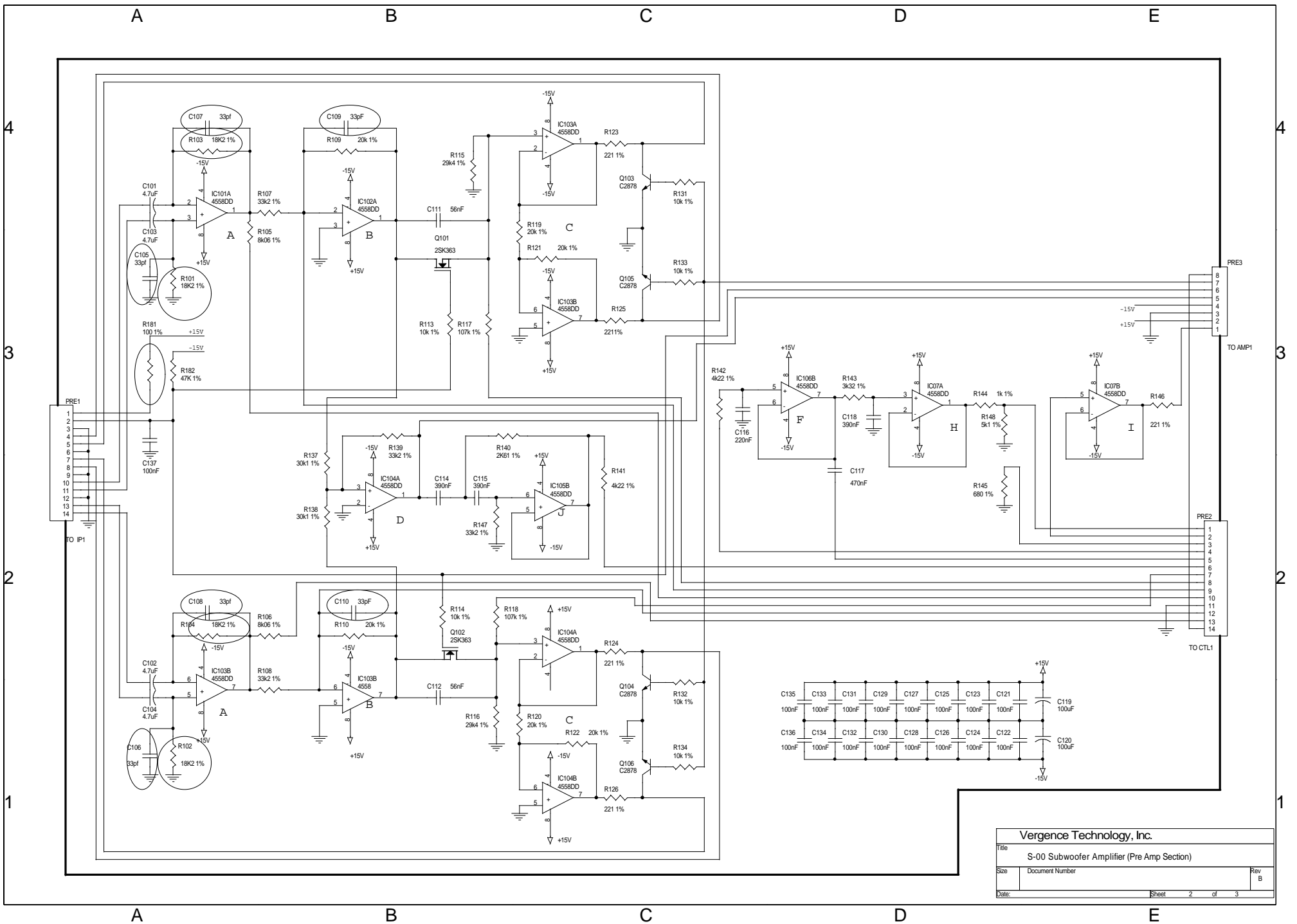
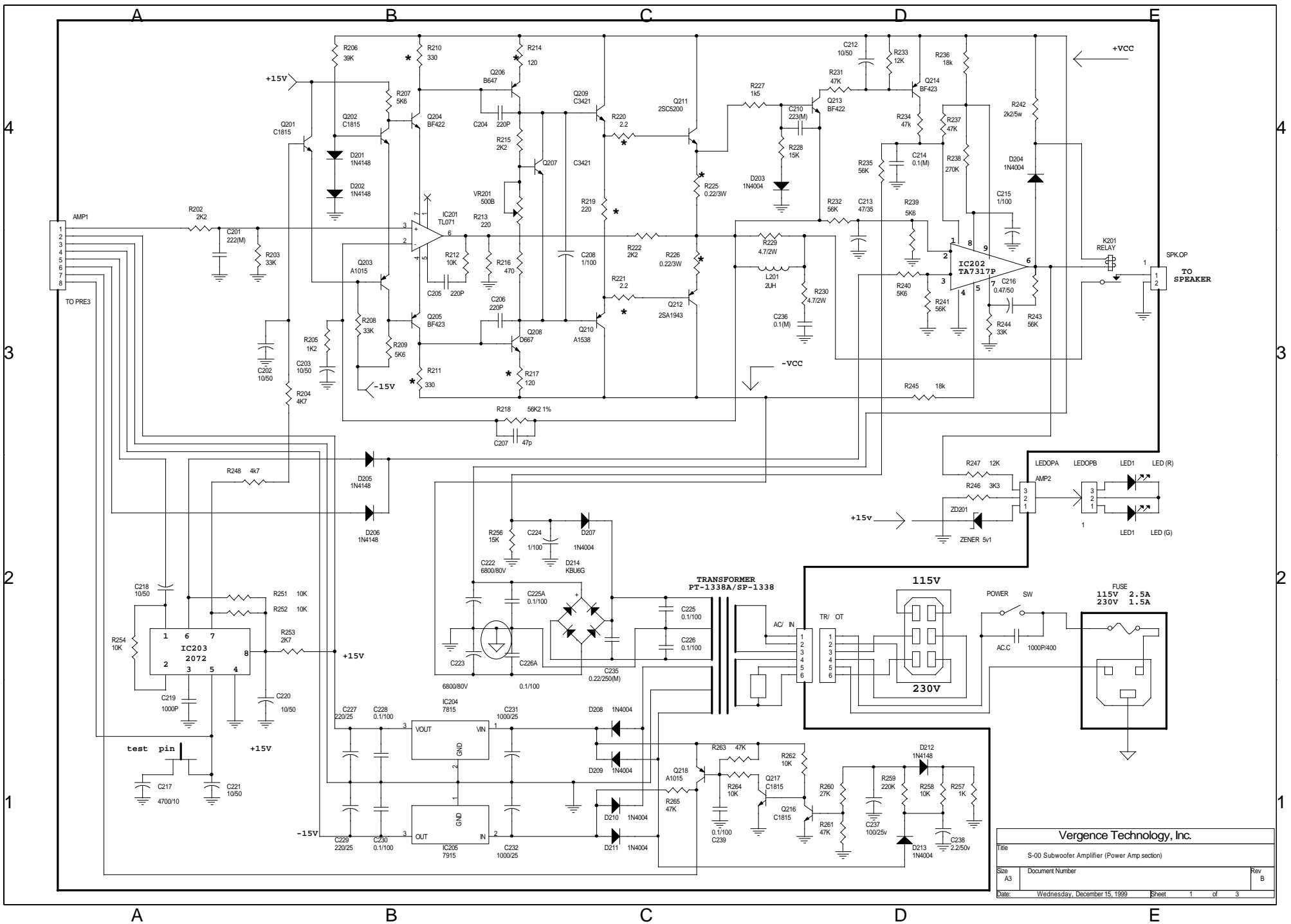


Vergence Technology, Inc.		
Title		
S-00 Subwoofer Amplifier (Input Section)		
Size	Document Number	Rev
A4		B
Date:	Wednesday, December 15, 1999	Sheet 3 of 3



Vergence Technology, Inc.			
Title	S-00 Subwoofer Amplifier (Pre Amp Section)		
Size	Document Number		Rev B
Date:		Sheet 2 of 3	



Vergence Technology, Inc.		
File: S-00 Subwoofer Amplifier (Power Amp section)		
Sheet: A3	Document Number:	Rev: B
Date: Wednesday, December 15, 1999	Sheet: 1	of 3