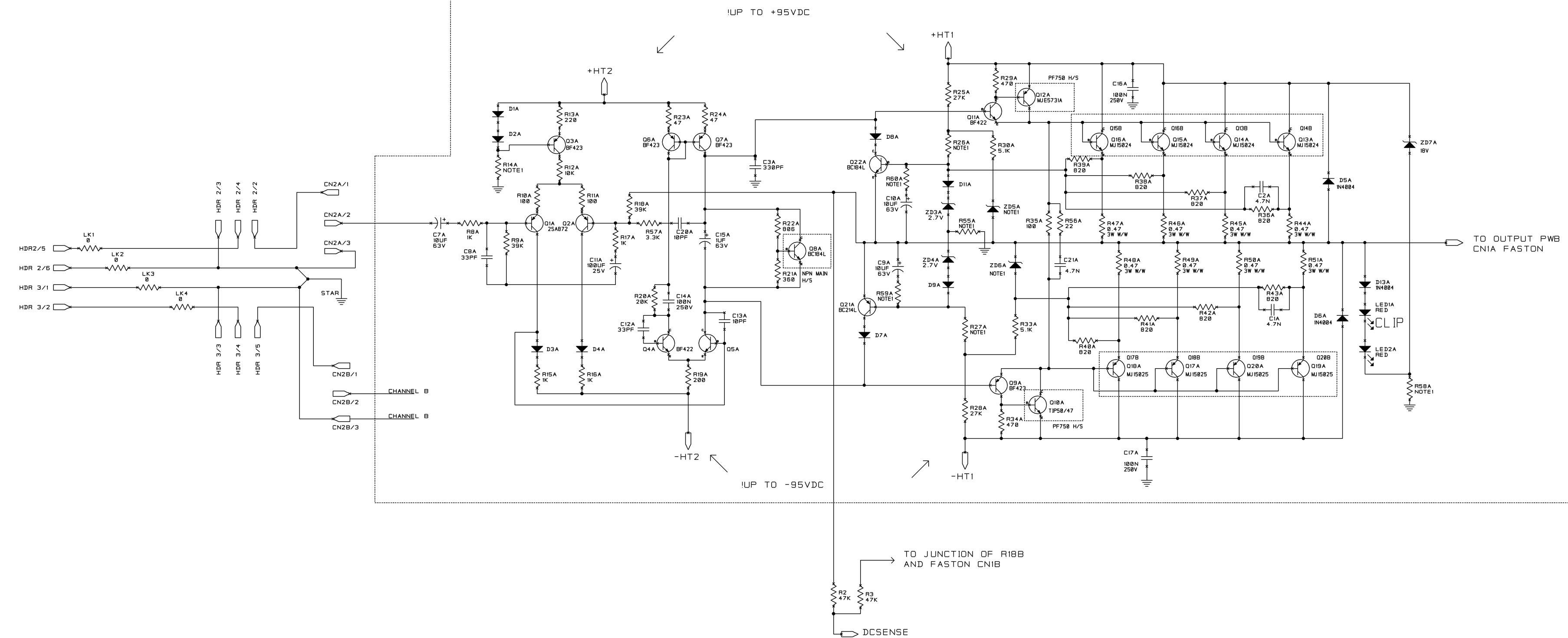


REVISION HISTORY						
E.C.N.	ZONE	REV	DESCRIPTION	DATE	DWN	APPROVED
		2	DELETE CONNECTION FROM R33A TO R40A, ADD R27A TO R40A	5/14/02	TRW	CM
		3	UPDATE XFMR PRIMARY COLORS FROM BLU/WHT TO BRN/BLU	5/22/02	TRW	CM

CHANNEL A ONLY SHOWN
 CHANNEL B IS SAME EXCEPT COMPONENT
 REFERENCE DESIGNATORS HAVE B SUFFIX
 EXCEPT OUTPUT DEVICES AS NOTED.



XLS500, XLS400, XLS200
 ALL DIODES ARE 1N4148 UNLESS OTHERWISE SPECIFIED
 ALL ZENER DIODES ARE 480MM UNLESS OTHERWISE SPECIFIED
 ALL RESISTORS ARE 1/4W METAL FILM UNLESS OTHERWISE SPECIFIED
 ALL BF422 AND BF423 ARE PHILIPS OR TOSHIBA, DO NOT USE CARSEM (CBF1)

NOTE 1	R14A/B	R26A/B, R27A/B	R55A/B	R58A/B, R24, R25	ZD5A/B, ZD6A/B	R59A/B, R60A/B	ZD2	BRI
XLS502	100K	20K	3.3K 1W E/F	6.8K 1W E/F	47V	75	10V	GBPC5006 50A 600V
XLS402	33K	20K	2.7K 1W E/F	5.6K 1W E/F	30V	120	9.1V	GBPC5006 50A 600V
XLS202	22K	43K	2.7K 1W E/F	4.7K 1W E/F	47V	150	9.1V	SB356 35A 600V

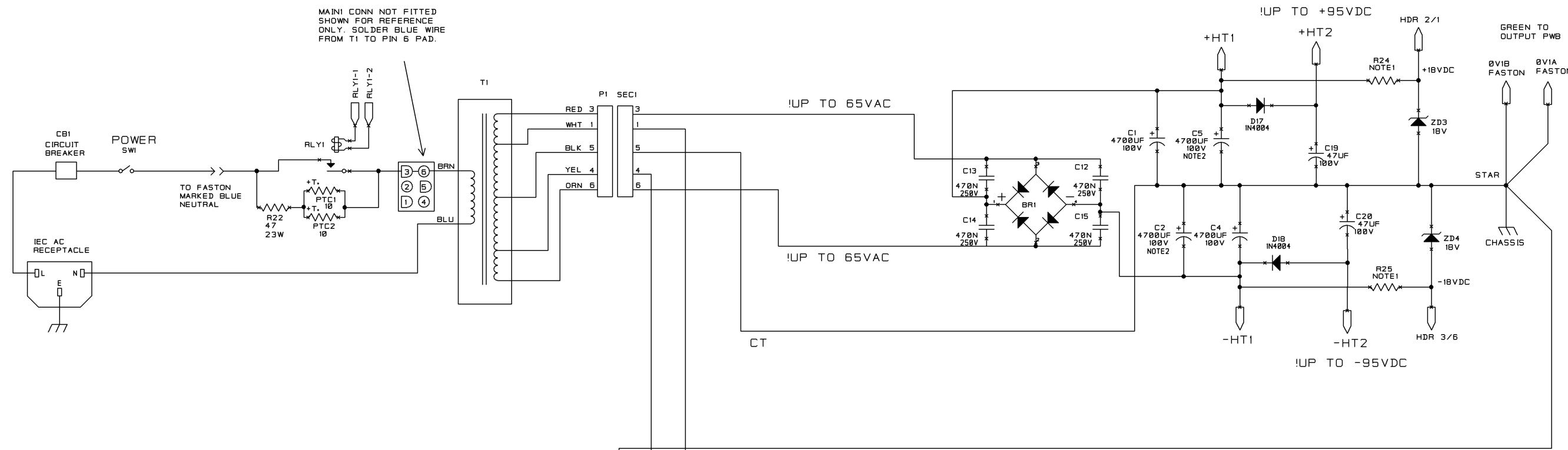
NOTE 2	NOT FITTED:
XLS402	R37A/B, R42A/B R45A/B, R50A/B Q14A, Q20A, Q13B, Q19B
XLS202	R37A/B, R42A/B R45A/B, R50A/B R39A/B, R40A/B R47A/B, R48A/B Q14A, Q20A, Q15A, Q18A Q13B, Q19B, Q15B, Q17B C2, C5

REFERENCE 135275-1 SCHEMATIC, XLS2U INPUT
 135276-1 SCHEMATIC, XLS2U OUTPUT

UNCONTROLLED
 UNLESS OTHERWISE MARKED IN RED INK BY CM AS A
 CONTROLLED COPY, COPIES OF THESE DOCUMENTS
 INCLUDING ASSOCIATED ELECTRONIC REPRODUCTIONS
 ARE FOR REFERENCE ONLY.
 THESE DRAWINGS AND SPECIFICATIONS ARE THE
 PROPERTY OF CROWN INTERNATIONAL, INC. AND
 SHALL NOT BE REPRODUCED, COPIED, OR USED
 AS THE BASIS FOR THE MANUFACTURE OR SALE
 OF APPARATUS OR DEVICES WITHOUT PERMISSION.

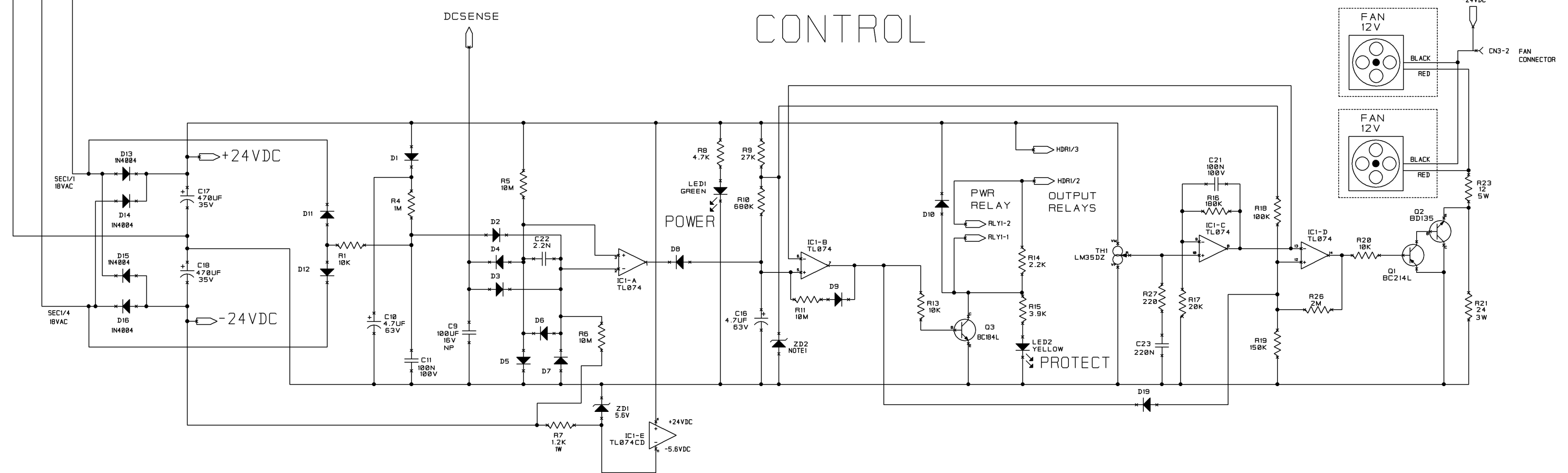
DWN	TRW	5/2/02		1718 W. MISHAWAKA RD. ELKHART IN. 46517 PHONE 219/234-8800 WWW.CROWNINTL.COM
CHK	TRW			TITLE
CM	TRW			SCHEMATIC, XLS2U MAIN
ND	TRW		SIZE	DWG NO.
FILENAME	TRW		D	135277-1
TOLERANCE UNLESS OTHERWISE SPECIFIED	TRW		REV	3
DO NOT SCALE DRAWING	TRW		SCALE	NONE
	TRW		PRJ. NO.	XLS2U
	TRW		SHEET	1 OF 2

POWER SUPPLY



MAIN CONN NOT FITTED SHOWN FOR REFERENCE ONLY. SOLDER BLUE WIRE FROM T1 TO PIN 5 PAD.

CONTROL



UNCONTROLLED		THESE DRAWINGS AND SPECIFICATIONS ARE THE PROPERTY OF CROWN INTERNATIONAL, INC. AND SHALL NOT BE REPRODUCED, COPIED, OR USED AS THE BASIS FOR THE MANUFACTURE OR SALE OF APPARATUS OR DEVICES WITHOUT PERMISSION.		SIZE	DWG NO.	REV
UNLESS OTHERWISE MARKED IN RED INK BY CM AS A CONTROLLED COPY, COPIES OF THESE DOCUMENTS INCLUDING ASSOCIATED ELECTRONIC REPRODUCTIONS ARE FOR REFERENCE ONLY.				D	135277-1	3
SCALE		PRJ NO.		SHEET		
NONE		XLS2U		2 OF 2		