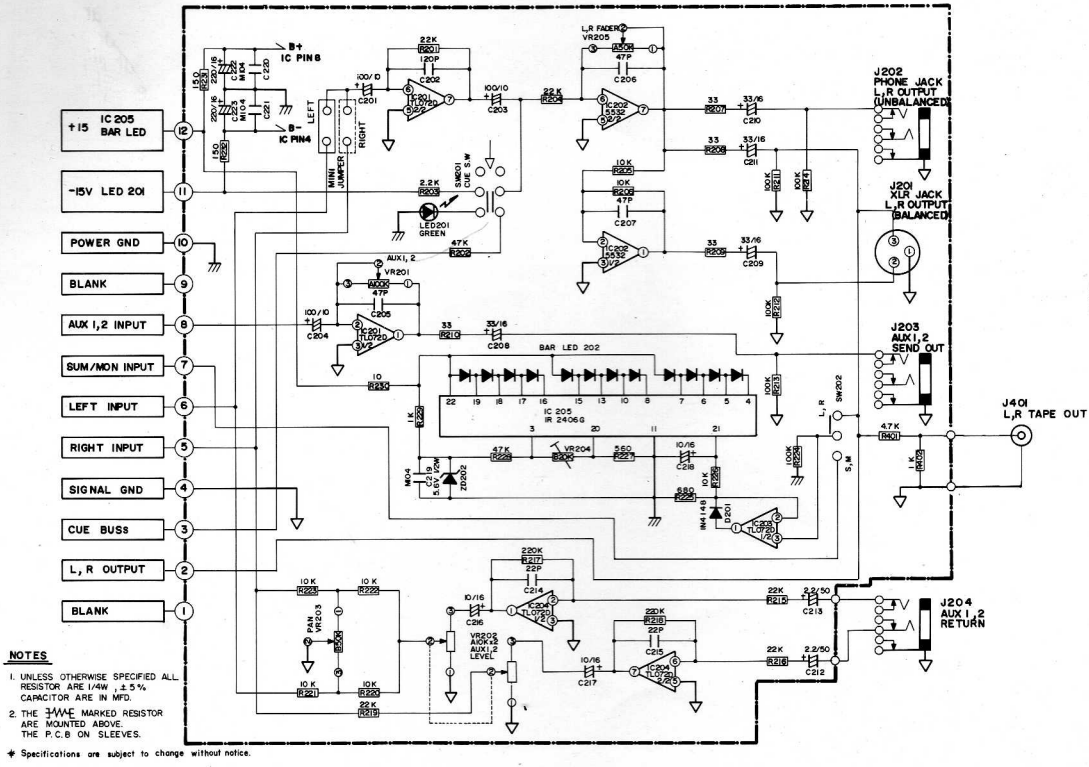


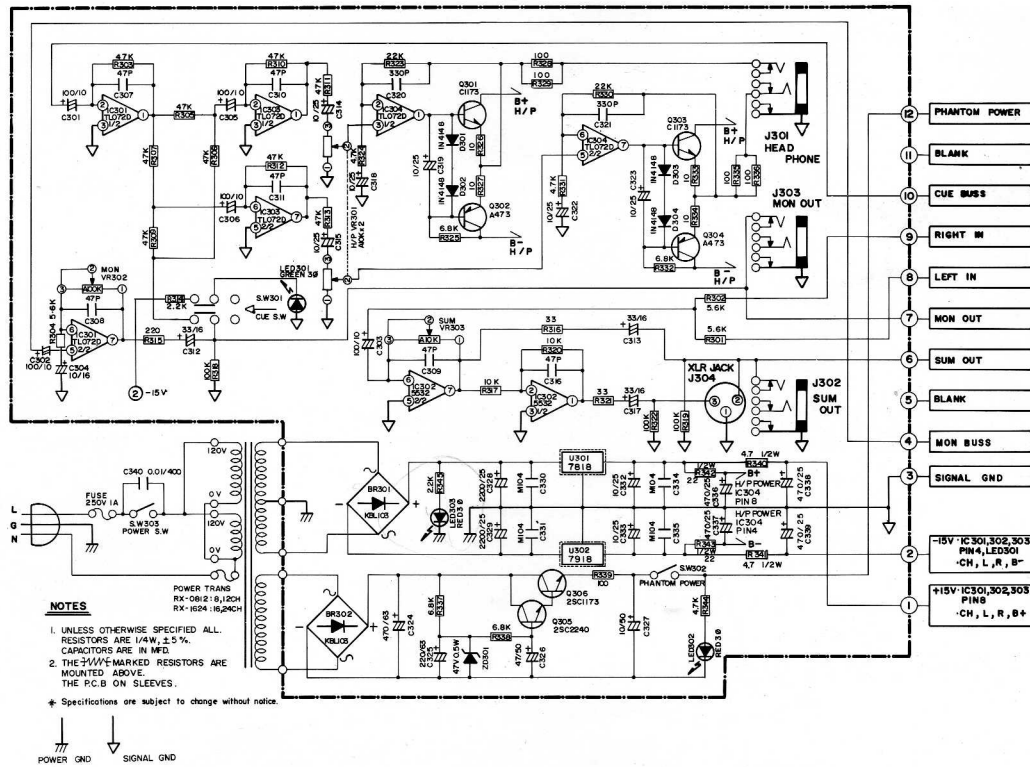
SCHEMATIC DIAGRAM

RCS MIXER LEFT & RIGHT

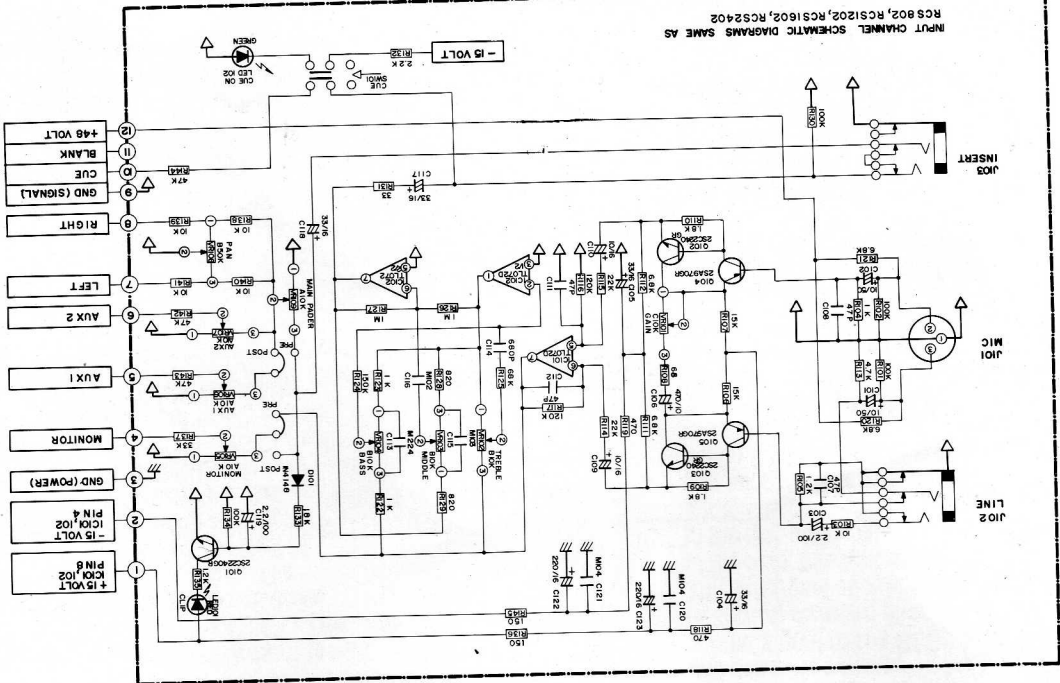


SCHEMATIC DIAGRAM

RCS MIXER POWER



SCHEMATIC DIAGRAM
RCS MIXER CHANNEL



INPUT CHANNEL SCHEMATIC DIAGRAMS SAME AS
RCS802, RCS1202, RCS1802, RCS2402

NOTES

1. UNLESS OTHERWISE SPECIFIED ALL
RESISTORS ARE 1/4W, ± 5%.

CAPACITORS ARE IN NF/D.

2. THE 5MM MARKED RESISTORS ARE MOUNTED ABOVE
THE PCB ON SLEEVES

* Specifications are subject to change without notice.