

Service Manual

 **PIONEER**[®]
The Art of Entertainment
TOYOTA

ORDER NO.
CRT2229

LEXUS GS300 **AUDIO SYSTEM** **HEAD UNIT**

VEHICLE	DESTINATION	PRODUCED AFTER	ID No.	TOYOTA PART No.	PIONEER MODEL No.
LEXUS GS300	EUROPE	August 1998	P3716	86120-3A591	KEX-M8276ZT-02/EW KEX-M8276ZT-92/EW
LEXUS GS300	U.K.	August 1998	P3717	86120-3A601	KEX-M8376ZT-02/EW KEX-M8376ZT-92/EW

● This additional service manual is designed to be used together with Model KEX-M8276ZT/EW and KEX-M8376ZT/EW Service Manual CRT2052. Refer to it for finding parts numbers and adjustment,etc. which are not shown in this manual.

● Supplementary model is identical to the original except for the addition of following items.

Description	Part No.	
	KEX-M8276ZT-92/EW	KEX-M8376ZT-92/EW
Polyethylene Bag	CEG1042	CEG1042
Cover	CEG1045	CEG1045
Carton	CHA1718	CHA1718
Contain Box	CHD1718	CHD1718

EXPLODED VIEWS AND PARTS LIST

EXTERIOR(Page 3)

● EXTERIOR PARTS LIST

Mark No.	Description	Part No.	
		KEX-M8276ZT/EW	KEX-M8276ZT-02/EW
10	Tuner Amp Assy	CWM5080	Not used
10	Control Unit	Not used	CWM6125
31	Keyboard Assy	CWM5083	Not used
31	Keyboard Unit	Not used	CWM6126
43	Grille Unit	CXA9720	CXB3200
46	Door	CAT1865	CAT1996

Mark No.	Description	Part No.	
		KEX-M8376ZT/EW	KEX-M8376ZT-02/EW
10	Tuner Amp Assy	CWM5081	Not used
10	Control Unit	Not used	CWM6127
31	Keyboard Assy	CWM5084	Not used
31	Keyboard Unit	Not used	CWM6128
43	Grille Unit	CXA9721	CXB3201
46	Door	CAT1866	CAT1997

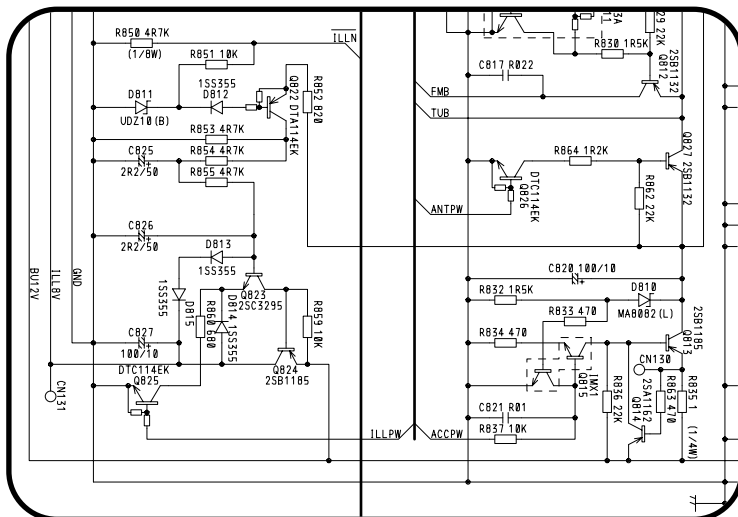
ELECTRICAL PARTS LIST(Page 26)

Tuner Amp Assy
Control Unit

Symbol and Description	Part No.	
	KEX-M8276ZT/EW KEX-M8376ZT/EW	KEX-M8276ZT-02/EW KEX-M8376ZT-02/EW
IC701	PD4791D	PE5008B
Q822	Not used	DTA114EK
D811	Not used	UDZ10(B)
D812	Not used	1SS355
R850	Not used	RS1/8S472J
R851	Not used	RS1/10S103J
R852	Not used	RS1/10S821J
R853,R854,R855	Not used	RS1/10S472J
R856	RS1/10S273J	Not used
R857	RS1/10S104J	Not used
C825	Not used	CEAL2R2M50

SCHEMATIC DIAGRAMS

Control Unit



KEX-M8276ZT-02,M8276ZT-92,M8376ZT-02,M8376ZT-92

PIONEER ELECTRONIC CORPORATION 4-1, Meguro 1-Chome, Meguro-ku, Tokyo 153-8654, Japan
PIONEER ELECTRONICS SERVICE INC. P.O.Box 1760, Long Beach, CA 90801-1760 U.S.A.
PIONEER ELECTRONIC [EUROPE] N.V. Haven 1087 Keetberglaan 1, 9120 Melsele, Belgium
PIONEER ELECTRONICS ASIACENTRE PTE.LTD. 501 Orchard Road, #10-00, Wheelock Place, Singapore 238880

© **PIONEER ELECTRONIC CORPORATION 1998**

K-ZZU JULY 1998 Printed in Japan