

# aiwa



## CT-FR720M CT-FR729M

---

STEREO CAR  
CASSETTE RECEIVER

---

• TYPE: YZ

**SIMPLE MANUAL**

• Replace this Service Manual with "Revision Publishing" when it is issued.

S/M Code No. 09-993-412-4T1

MANUAL  
SERVICE

# ELECTRICAL MAIN PARTS LIST - 1/4

NOTE: The characters in the suffix column indicate the part usage.

ZSTC .....XX.....A  
 9ZSC .....XX.....B  
 9Z1S .....XX.....C

REF.NO	PARTS NO.	KANRI NO.	DESCRIPTION	SUFFIX
C	634	87-010-198-080	CAP, CHIP 0.022	ABC.....
C	703	87-010-196-080	CHIP CAPACITOR,0.1-25	ABC.....
C	704	87-010-196-080	CHIP CAPACITOR,0.1-25	ABC.....
C	701	87-010-314-080	C-CAP,S 22P-50V	ABC.....
C	702	87-010-315-080	C-CAP,S 27P-50 CH	ABC.....
C	705	87-010-490-040	CAP, ELECT 0.1-50	ABC.....
C	751	87-010-178-080	CHIP CAP 1000P	ABC.....
C	753	87-010-178-080	CHIP CAP 1000P	ABC.....
C	754	87-010-197-080	CAP, CHIP 0.01 DM	ABC.....
C	752	87-010-322-080	C-CAP,S 100P-50 CH	ABC.....
D	701	87-020-331-080	CHIP-DIODE,DAN202K	ABC.....
D	702	87-027-262-010	LEDE,TLR-124(RED)	ABC.....
D	758	87-020-331-080	CHIP-DIODE,DAN202K	ABC.....
D	757	87-020-331-080	CHIP-DIODE,DAN202K	ABC.....
D	755	87-020-331-080	CHIP-DIODE,DAN202K	ABC.....
D	760	87-020-331-080	CHIP-DIODE,DAN202K	ABC.....
D	762	87-020-331-080	CHIP-DIODE,DAN202K	ABC.....
IC	701	87-A21-194-010	C-IC,UPD178016AGC-527-3B9	ABC.....
L	631	87-003-149-080	COIL,47UH	ABC.....
Q	703	87-A30-287-040	C-TR,DTC114TKA	ABC.....
SW	703	87-036-109-010	PUSH SWITCH	ABC.....
SW	701	87-A91-155-010	SW,TACT SKHHLQ	ABC.....
X	701	87-A70-175-010	VIB,XTAL 4.5MHZ AT-49	ABC.....
C	201	87-010-178-080	CHIP CAP 1000P	ABC.....
C	202	87-010-178-080	CHIP CAP 1000P	ABC.....
C	211	87-010-494-040	CAP,E 1-50 GAS	ABC.....
C	212	87-010-494-040	CAP,E 1-50 GAS	ABC.....
C	228	87-010-196-080	CHIP CAPACITOR,0.1-25	ABC.....
C	226	87-010-555-040	CAP,E 100-10 GAS	ABC.....
C	237	87-010-198-080	CAP, CHIP 0.022	ABC.....
C	238	87-010-198-080	CAP, CHIP 0.022	ABC.....
C	233	87-010-498-040	CAP,E 10-16 GAS	ABC.....
C	234	87-010-498-040	CAP,E 10-16 GAS	ABC.....
C	235	87-010-555-040	CAP,E 100-10 GAS	ABC.....
C	236	87-010-555-040	CAP,E 100-10 GAS	ABC.....
C	251	87-010-196-080	CHIP CAPACITOR,0.1-25	ABC.....
C	253	87-010-497-040	CAP,E 4.7-35 GAS	ABC.....
C	254	87-010-553-040	CAP,E 47-16 GAS	ABC.....
C	255	87-010-553-040	CAP,E 47-16 GAS	ABC.....
C	252	87-A10-924-040	CAP,E 47-16 BP SME	ABC.....
CNA	251	8Z-KT1-634-010	CONN ASSY,10P DECK-1	ABC.....
CNA	252	8Z-KT1-635-010	CONN ASSY,5P DECK-2	ABC.....
D	251	87-017-932-080	ZENER,MTJ6.2B	ABC.....
D	252	87-020-331-080	CHIP-DIODE,DAN202K	ABC.....
D	253	87-020-331-080	CHIP-DIODE,DAN202K	ABC.....
IC	202	87-A21-191-010	IC,KIA6225S	ABC.....
IC	251	88-KT1-604-010	IC,TA7291P	ABC.....
Q	253	87-A30-283-040	C-TR,DTA114YKA	ABC.....
Q	254	87-A30-287-040	C-TR,DTC114TKA	ABC.....
Q	252	87-A30-287-040	C-TR,DTC114TKA	ABC.....
Q	256	87-A30-287-040	C-TR,DTC114TKA	ABC.....
Q	255	87-A30-295-010	TR,KRA226M	ABC.....
Q	251	87-A30-295-010	TR,KRA226M	ABC.....
C	401	87-010-494-040	CAP,E 1-50 GAS	ABC.....
C	402	87-010-494-040	CAP,E 1-50 GAS	ABC.....
D	413	87-017-932-080	ZENER,MTJ6.2B	ABC.....
D	416	87-017-932-080	ZENER,MTJ6.2B	ABC.....
D	417	87-017-932-080	ZENER,MTJ6.2B	ABC.....
D	414	87-017-932-080	ZENER,MTJ6.2B	ABC.....
D	412	87-017-932-080	ZENER,MTJ6.2B	ABC.....
D	415	87-017-932-080	ZENER,MTJ6.2B	ABC.....
J	401	8Z-KT1-618-010	JACK,DIN 13 P TCS5116	ABC.....
Q	411	87-A30-283-040	C-TR,DTA114YKA	ABC.....
Q	412	87-A30-287-040	C-TR,DTC114TKA	ABC.....
C	101	87-010-178-080	CHIP CAP 1000P	ABC.....
C	102	87-010-186-080	CAP,CHIP 4700P	ABC.....
C	104	87-010-197-080	CAP, CHIP 0.01 DM	ABC.....
C	106	87-010-198-080	CAP, CHIP 0.022	ABC.....
C	108	87-010-322-080	C-CAP,S 100P-50 CH	ABC.....
C	103	87-010-490-040	CAP, ELECT 0.1-50	ABC.....
C	105	87-010-495-040	CAP,E 2.2-50 GAS	ABC.....
C	107	87-010-552-040	CAP,E 22-16 GAS	ABC.....
C	109	87-010-553-040	CAP,E 47-16 GAS	ABC.....
C	114	87-010-178-080	CHIP CAP 1000P	ABC.....
C	115	87-010-196-080	CHIP CAPACITOR,0.1-25	ABC.....
C	119	87-010-196-080	CHIP CAPACITOR,0.1-25	ABC.....
C	116	87-010-197-080	CAP, CHIP 0.01 DM	ABC.....
C	111	87-010-197-080	CAP, CHIP 0.01 DM	ABC.....
C	117	87-010-198-080	CAP, CHIP 0.022	ABC.....
C	110	87-010-553-040	CAP,E 47-16 GAS	ABC.....
C	123	87-010-197-080	CAP, CHIP 0.01 DM	ABC.....
C	121	87-010-213-080	C-CAP,S 0.015-50 B	ABC.....
C	122	87-010-213-080	C-CAP,S 0.015-50 B	ABC.....
C	131	87-010-196-080	CHIP CAPACITOR,0.1-25	ABC.....

# ELECTRICAL MAIN PARTS LIST - 2/4

C	132	87-010-198-080	CAP, CHIP 0.022	ABC.....
C	133	87-010-553-040	CAP,E 47-16 GAS	ABC.....
C	144	87-010-182-080	C-CAP,S 2200P-50 B	ABC.....
C	143	87-010-182-080	C-CAP,S 2200P-50 B	ABC.....
C	147	87-010-494-040	CAP,E 1-50 GAS	ABC.....
C	148	87-010-494-040	CAP,E 1-50 GAS	ABC.....
C	141	87-010-498-040	CAP,E 10-16 GAS	ABC.....
C	142	87-010-498-040	CAP,E 10-16 GAS	ABC.....
D	101	87-020-331-080	CHIP-DIODE,DAN202K	ABC.....
D	102	87-020-331-080	CHIP-DIODE,DAN202K	ABC.....
D	131	87-070-334-080	ZENER,MTZJ10B	ABC.....
J	101	8Z-KT1-614-010	ANT,AW-002	ABC.....
L	101	87-003-143-080	COIL 4.7 UH	ABC.....
L	102	8Z-KT1-619-010	COIL,68MH K7-D	ABC.....
Q	109	87-A30-287-040	C-TR,DTC114TKA	ABC.....
Q	107	87-A30-288-040	C-TR,DTC114YKA	ABC.....
Q	105	87-A30-289-040	C-TR,2SA1037AK(R)	ABC.....
Q	103	89-324-122-080	TR,2SC2412K	ABC.....
Q	104	89-324-122-080	TR,2SC2412K	ABC.....
Q	106	89-324-122-080	TR,2SC2412K	ABC.....
Q	101	89-324-122-080	TR,2SC2412K	ABC.....
Q	102	89-324-122-080	TR,2SC2412K	ABC.....
Q	131	87-A30-293-010	TR,KTC2804(Y)	ABC.....
SFR	101	87-024-437-080	SFR100K,RH063EC	ABC.....
TU	101	8Z-KT1-631-010	TU UNIT, FAE347-A02	ABC.....
C	155	87-010-175-080	CAP 560P	ABC.....
C	156	87-010-196-080	CHIP CAPACITOR,0.1-25	ABC.....
C	152	87-010-315-080	C-CAP,S 27P-50 CH	ABC.....
C	153	87-010-495-040	CAP,E 2.2-50 GAS	ABC.....
C	151	87-012-149-080	C-CAP,S 30P-50 CH	ABC.....
C	154	87-012-157-080	C-CAP,S 330P-50 CH	ABC.....
IC	151	88-KT1-607-080	C-IC,SAA6579T	ABC.....
L	151	87-003-147-080	COIL, 22UH	ABC.....
X	151	87-A70-091-010	VIB,XTAL 4.332MHZ CSA-309	ABC.....
C	306	87-010-184-080	CHIP CAPACITOR 3300P(K)	ABC.....
C	305	87-010-184-080	CHIP CAPACITOR 3300P(K)	ABC.....
C	308	87-010-198-080	CAP, CHIP 0.022	ABC.....
C	307	87-010-198-080	CAP, CHIP 0.022	ABC.....
C	302	87-010-494-040	CAP,E 1-50 GAS	ABC.....
C	301	87-010-494-040	CAP,E 1-50 GAS	ABC.....
C	304	87-010-498-040	CAP,E 10-16 GAS	ABC.....
C	303	87-010-498-040	CAP,E 10-16 GAS	ABC.....
C	309	87-010-498-040	CAP,E 10-16 GAS	ABC.....
C	315	87-010-498-040	CAP,E 10-16 GAS	ABC.....
C	310	87-010-498-040	CAP,E 10-16 GAS	ABC.....
C	316	87-010-498-040	CAP,E 10-16 GAS	ABC.....
C	314	87-A11-177-080	C-CAP,S 0.15-16 K B	ABC.....
C	311	87-A11-177-080	C-CAP,S 0.15-16 K B	ABC.....
C	313	87-A11-177-080	C-CAP,S 0.15-16 K B	ABC.....
C	312	87-A11-177-080	C-CAP,S 0.15-16 K B	ABC.....
C	321	87-010-196-080	CHIP CAPACITOR,0.1-25	ABC.....
C	323	87-010-196-080	CHIP CAPACITOR,0.1-25	ABC.....
C	324	87-010-552-040	CAP,E 22-16 GAS	ABC.....
C	322	87-010-555-040	CAP,E 100-10 GAS	ABC.....
C	355	87-010-491-040	CAP,E 0.22-50 GAS	ABC.....
C	356	87-010-491-040	CAP,E 0.22-50 GAS	ABC.....
C	351	87-010-498-040	CAP,E 10-16 GAS	ABC.....
C	354	87-010-498-040	CAP,E 10-16 GAS	ABC.....
C	353	87-010-498-040	CAP,E 10-16 GAS	ABC.....
C	352	87-010-498-040	CAP,E 10-16 GAS	ABC.....
C	367	87-010-175-080	CAP 560P	ABC.....
C	368	87-010-175-080	CAP 560P	ABC.....
C	365	87-010-175-080	CAP 560P	ABC.....
C	366	87-010-175-080	CAP 560P	ABC.....
C	363	87-010-494-040	CAP,E 1-50 GAS	ABC.....
C	361	87-010-494-040	CAP,E 1-50 GAS	ABC.....
C	362	87-010-494-040	CAP,E 1-50 GAS	ABC.....
C	364	87-010-494-040	CAP,E 1-50 GAS	ABC.....
C	551	87-010-553-040	CAP,E 47-16 GAS	ABC.....
C	590	87-010-178-080	CHIP CAP 1000P	ABC.....
D	551	87-020-331-080	CHIP-DIODE,DAN202K	ABC.....
IC	301	8Z-KT1-622-010	C-IC,LC75374E	ABC.....
Q	351	87-A30-287-040	C-TR,DTC114TKA	ABC.....
Q	352	87-A30-287-040	C-TR,DTC114TKA	ABC.....
Q	553	87-A30-281-040	C-TR,DTC363TK	ABC.....
Q	554	87-A30-281-040	C-TR,DTC363TK	ABC.....
Q	551	87-A30-281-040	C-TR,DTC363TK	ABC.....
Q	552	87-A30-281-040	C-TR,DTC363TK	ABC.....
Q	559	87-A30-282-040	C-TR,DTA114TKA	ABC.....
Q	560	87-A30-287-040	C-TR,DTC114TKA	ABC.....
C	508	87-010-322-080	C-CAP,S 100P-50 CH	ABC.....
C	507	87-010-322-080	C-CAP,S 100P-50 CH	ABC.....
C	501	87-010-322-080	C-CAP,S 100P-50 CH	ABC.....
C	503	87-010-322-080	C-CAP,S 100P-50 CH	ABC.....
C	504	87-010-322-080	C-CAP,S 100P-50 CH	ABC.....
C	505	87-010-322-080	C-CAP,S 100P-50 CH	ABC.....
C	506	87-010-322-080	C-CAP,S 100P-50 CH	ABC.....
C	502	87-010-322-080	C-CAP,S 100P-50 CH	ABC.....
C	512	87-010-196-080	CHIP CAPACITOR,0.1-25	ABC.....
C	513	87-010-498-040	CAP,E 10-16 GAS	ABC.....
C	511	8Z-KT1-633-090	CAP,E 3300U-16 PW	ABC.....
IC	501	87-A20-876-010	IC,HA13158	ABC.....

# ELECTRICAL MAIN PARTS LIST - 3/4

C	601	87-010-935-040	CAP,E 220-16 M VR	ABC.....
C	611	87-010-198-080	CAP, CHIP 0.022	ABC.....
C	612	87-016-459-040	CAP,E 470-10 SMG	ABC.....
C	621	87-010-198-080	CAP, CHIP 0.022	ABC.....
C	622	87-010-555-040	CAP,E 100-10 GAS	ABC.....
C	631	87-010-198-080	CAP, CHIP 0.022	ABC.....
C	633	87-010-198-080	CAP, CHIP 0.022	ABC.....
C	635	87-010-553-040	CAP,E 47-16 GAS	ABC.....
C	632	87-016-039-090	CAP,DL 0.022F-5.5 Z 70 FM	ABC.....
C	641	87-010-198-080	CAP, CHIP 0.022	ABC.....
C	653	87-010-555-040	CAP,E 100-10 GAS	ABC.....
C	652	87-A11-177-080	C-CAP,S 0.15-16 K B	ABC.....
C	651	87-A11-177-080	C-CAP,S 0.15-16 K B	ABC.....
C	671	87-010-553-040	CAP,E 47-16 GAS	ABC.....
C	882	87-010-196-080	CHIP CAPACITOR,0.1-25	ABC.....
C	881	87-010-196-080	CHIP CAPACITOR,0.1-25	ABC.....
C	883	87-010-196-080	CHIP CAPACITOR,0.1-25	ABC.....
CNA	881	8Z-KT1-620-010	CONN ASSY,8P ISO-BLACK	ABC.....
CNA	882	8Z-KT1-621-010	CONN ASSY,8P ISO-WHITE	ABC.....
D	611	87-070-334-080	ZENER,MTZJ10B	ABC.....
D	621	87-017-931-080	ZENER,MTZJ5.6B	ABC.....
D	631	87-001-783-080	DIODE,1N4002	ABC.....
D	632	87-001-783-080	DIODE,1N4002	ABC.....
D	634	87-017-931-080	ZENER,MTZJ5.6B	ABC.....
D	633	87-A40-002-080	ZENER,MTZJ5.1C	ABC.....
D	635	87-A40-620-080	ZENER,MTZJ6.2A	ABC.....
D	641	87-070-136-080	ZENER,MTZJ5.1B	ABC.....
D	671	87-070-136-080	ZENER,MTZJ5.1B	ABC.....
D	881	87-001-783-080	DIODE,1N4002	ABC.....
D	882	87-001-783-080	DIODE,1N4002	ABC.....
IC	641	88-KT1-606-080	IC,PST994D	ABC.....
IC	651	88-KTD-604-010	IC,BA09T	ABC.....
L	881	8Z-KT1-615-010	FLTR,AMORPHOUS -CHOKE	ABC.....
PL	701	8Z-KT1-641-010	LAMP,T-3	ABC.....
Q	603	87-A30-287-040	C-TR,DTC114TKA	ABC.....
Q	604	87-A30-287-040	C-TR,DTC114TKA	ABC.....
Q	601	87-A30-290-010	TR,KTA1658(Y)	ABC.....
Q	602	87-A30-290-010	TR,KTA1658(Y)	ABC.....
Q	611	87-A30-291-010	TR,KTC4369(Y)	ABC.....
Q	621	87-A30-292-010	TR,KTC3205(Y)	ABC.....
Q	633	87-A30-287-040	C-TR,DTC114TKA	ABC.....
Q	632	87-A30-287-040	C-TR,DTC114TKA	ABC.....
Q	631	87-A30-292-010	TR,KTC3205(Y)	ABC.....
Q	702	87-A30-287-040	C-TR,DTC114TKA	ABC.....
Q	701	87-A30-294-040	C-TR,DTB123YK	ABC.....
R	605	88-148-102-080	C-RES, 1K-1/2W J	ABC.....
C	861	87-010-494-040	CAP,E 1-50 GAS	ABC.....
C	862	87-010-494-040	CAP,E 1-50 GAS	ABC.....
CNA	853	8Z-KT1-644-010	CONN ASSY,6P DFP-1	ABC.....
CNA	852	8Z-KT1-645-010	CONN ASSY,11P DFP-2	ABC.....
CON	853	87-009-411-010	CONN,6P ZH V	ABC.....
CON	851	8Z-KT1-613-010	CONN,16P CAM-C74	ABC.....
D	851	87-017-932-080	ZENER,MTJ6.2B	ABC.....
D	857	87-017-932-080	ZENER,MTJ6.2B	ABC.....
D	852	87-017-932-080	ZENER,MTJ6.2B	ABC.....
D	855	87-017-932-080	ZENER,MTJ6.2B	ABC.....
D	856	87-017-932-080	ZENER,MTJ6.2B	ABC.....
D	853	87-017-932-080	ZENER,MTJ6.2B	ABC.....
D	860	87-017-932-080	ZENER,MTJ6.2B	ABC.....
SW	702	87-036-220-080	C-SW,T	ABC.....
C	381	87-010-196-080	CHIP CAPACITOR,0.1-25	ABC.....
C	453	87-010-498-040	CAP,E 10-16 GAS	ABC.....
C	452	87-010-498-040	CAP,E 10-16 GAS	ABC.....
C	451	87-010-498-040	CAP,E 10-16 GAS	ABC.....
C	454	87-010-498-040	CAP,E 10-16 GAS	ABC.....
C	456	87-012-140-080	CAP 470P	ABC.....
C	455	87-012-140-080	CAP 470P	ABC.....
C	457	87-012-140-080	CAP 470P	ABC.....
C	458	87-012-140-080	CAP 470P	ABC.....
J	451	88-KTA-604-010	JACK,PIN 4P V-TYPE	ABC.....
Q	381	89-324-122-080	TR,2SC2412K	ABC.....
C	901	87-010-176-080	C-CAP,S 680P-50 SL	ABC.....
C	902	87-010-194-080	CAP, CHIP 0.047	ABC.....
C	903	87-010-194-080	CAP, CHIP 0.047	ABC.....
C	904	87-010-196-080	CHIP CAPACITOR,0.1-25	ABC.....
C	921	87-010-196-080	CHIP CAPACITOR,0.1-25	.BC.....
C	922	87-010-196-080	CHIP CAPACITOR,0.1-25	.BC.....
CON	901	8Z-KT1-612-010	CONN,16P CAM-C73	ABC.....
D	908	87-020-585-080	CHIP-ZENER,02CZ6.2Y	ABC.....
D	907	87-020-585-080	CHIP-ZENER,02CZ6.2Y	ABC.....
D	906	87-020-585-080	CHIP-ZENER,02CZ6.2Y	ABC.....
D	909	87-020-585-080	CHIP-ZENER,02CZ6.2Y	ABC.....
D	921	87-020-585-080	CHIP-ZENER,02CZ6.2Y	.BC.....
IC	902	87-A90-951-010	RCR UNIT,SBX1971-52	.BC.....
IC	901	88-KT1-608-010	C-IC,LC75854W	ABC.....
J	901	87-A60-249-010	JACK,MOJ-B32	ABC.....
LCD	901	8Z-KT1-608-010	LCD,ZKT-3	ABC.....
LED	909	87-017-828-070	C-LED,SEL 1401C GRN	ABC.....
LED	906	87-017-828-070	C-LED,SEL 1401C GRN	ABC.....
LED	907	87-017-828-070	C-LED,SEL 1401C GRN	ABC.....
LED	903	87-017-828-070	C-LED,SEL 1401C GRN	ABC.....
LED	908	87-017-828-070	C-LED,SEL 1401C GRN	ABC.....

# ELECTRICAL MAIN PARTS LIST - 4/4

LED	905	87-017-828-070	C-LED,SEL 1401C GRN	ABC.....
LED	904	87-017-828-070	C-LED,SEL 1401C GRN	ABC.....
LED	902	87-017-828-070	C-LED,SEL 1401C GRN	ABC.....
LED	901	87-017-828-070	C-LED,SEL 1401C GRN	ABC.....
LED	913	87-017-828-070	C-LED,SEL 1401C GRN	ABC.....
LED	918	87-017-828-070	C-LED,SEL 1401C GRN	ABC.....
LED	911	87-017-828-070	C-LED,SEL 1401C GRN	ABC.....
LED	919	87-017-828-070	C-LED,SEL 1401C GRN	ABC.....
LED	910	87-017-828-070	C-LED,SEL 1401C GRN	ABC.....
LED	912	87-017-828-070	C-LED,SEL 1401C GRN	ABC.....
LED	915	87-017-828-070	C-LED,SEL 1401C GRN	ABC.....
LED	917	87-017-828-070	C-LED,SEL 1401C GRN	ABC.....
LED	916	87-017-828-070	C-LED,SEL 1401C GRN	ABC.....
LED	914	87-017-828-070	C-LED,SEL 1401C GRN	ABC.....
LED	920	87-017-828-070	C-LED,SEL 1401C GRN	ABC.....
LED	921	87-017-828-070	C-LED,SEL 1401C GRN	ABC.....
PL	901	8Z-KT1-641-010	LAMP,T-3	ABC.....
PL	902	8Z-KT1-641-010	LAMP,T-3	ABC.....
SW	903	87-A90-001-080	C-SW,TACT SKQMAL	ABC.....
SW	906	87-A90-001-080	C-SW,TACT SKQMAL	ABC.....
SW	907	87-A90-001-080	C-SW,TACT SKQMAL	ABC.....
SW	901	87-A90-001-080	C-SW,TACT SKQMAL	ABC.....
SW	905	87-A90-001-080	C-SW,TACT SKQMAL	ABC.....
SW	908	87-A91-159-010	SW,TACT SKHLAD	ABC.....
SW	904	87-A91-159-010	SW,TACT SKHLAD	ABC.....
SW	902	87-A91-159-010	SW,TACT SKHLAD	ABC.....
SW	909	87-A91-159-010	SW,TACT SKHLAD	ABC.....
SW	919	87-A90-001-080	C-SW,TACT SKQMAL	ABC.....
SW	917	87-A90-001-080	C-SW,TACT SKQMAL	ABC.....
SW	911	87-A90-001-080	C-SW,TACT SKQMAL	ABC.....
SW	918	87-A90-001-080	C-SW,TACT SKQMAL	ABC.....
SW	913	87-A90-001-080	C-SW,TACT SKQMAL	ABC.....
SW	912	87-A90-001-080	C-SW,TACT SKQMAL	ABC.....
SW	916	87-A90-001-080	C-SW,TACT SKQMAL	ABC.....
SW	915	87-A90-001-080	C-SW,TACT SKQMAL	ABC.....
SW	914	87-A90-001-080	C-SW,TACT SKQMAL	ABC.....
SW	910	87-A91-159-010	SW,TACT SKHLAD	ABC.....
SW	920	87-A90-001-080	C-SW,TACT SKQMAL	ABC.....
SW	921	87-A90-001-080	C-SW,TACT SKQMAL	ABC.....
		88-KC4-052-010	CABI,UNIT HRC	.BC.....
		88-KC4-054-010	WINDOW,DIODE HRC	.BC.....
		88-KC4-055-010	BTN,ARRAY HRC	.BC.....
		88-KC4-056-010	HLDR,BAT. HRC	.BC.....
		88-KC4-058-010	CAP, FUNC. HRC	.BC.....
		8Z-KY1-011-010	CABI, TOP SW1 AL	.BC.....
		88-KC4-252-010	TERMINAL, (+)	.BC.....
		88-KC4-256-010	S-SCREW,VT2+2-4 BLK	.BC.....
		88-KC4-260-010	RING,DIODE -C	.BC.....
		88-KC4-261-010	TERMINAL, (-) SPR -C	.BC.....
C	1	87-010-322-080	C-CAP,S 100P-50 CH	.BC.....
C	2	87-010-322-080	C-CAP,S 100P-50 CH	.BC.....
C	3	87-016-459-010	CAP,E 470-10 M SMG	.BC.....
IC	1	88-KC4-621-040	C-IC,LC7461-8100	.BC.....
LED	1	87-A40-629-010	LED,SIR-34ST3F IR	.BC.....
Q	1	89-328-734-080	C-TRANSISTOR,2SC2873Y	.BC.....
SW	4	87-A91-338-080	C-SW,TACT SKQYAB	.BC.....
SW	1	87-A91-338-080	C-SW,TACT SKQYAB	.BC.....
SW	3	87-A91-338-080	C-SW,TACT SKQYAB	.BC.....
SW	2	87-A91-338-080	C-SW,TACT SKQYAB	.BC.....
SW	5	87-A91-338-080	C-SW,TACT SKQYAB	.BC.....
W	1	8Z-KY1-604-010	F-CABLE,2P (LED)	.BC.....
X	1	87-030-142-010	CERAMIC CSB 455E	.BC.....

# MECHANICAL PARTS LIST - 1/1

NOTE: The characters in the suffix column indicate the part usage.

ZSTC .....XX.....A.....  
 9ZSC .....XX.....B.....  
 9Z1S .....XX.....C.....

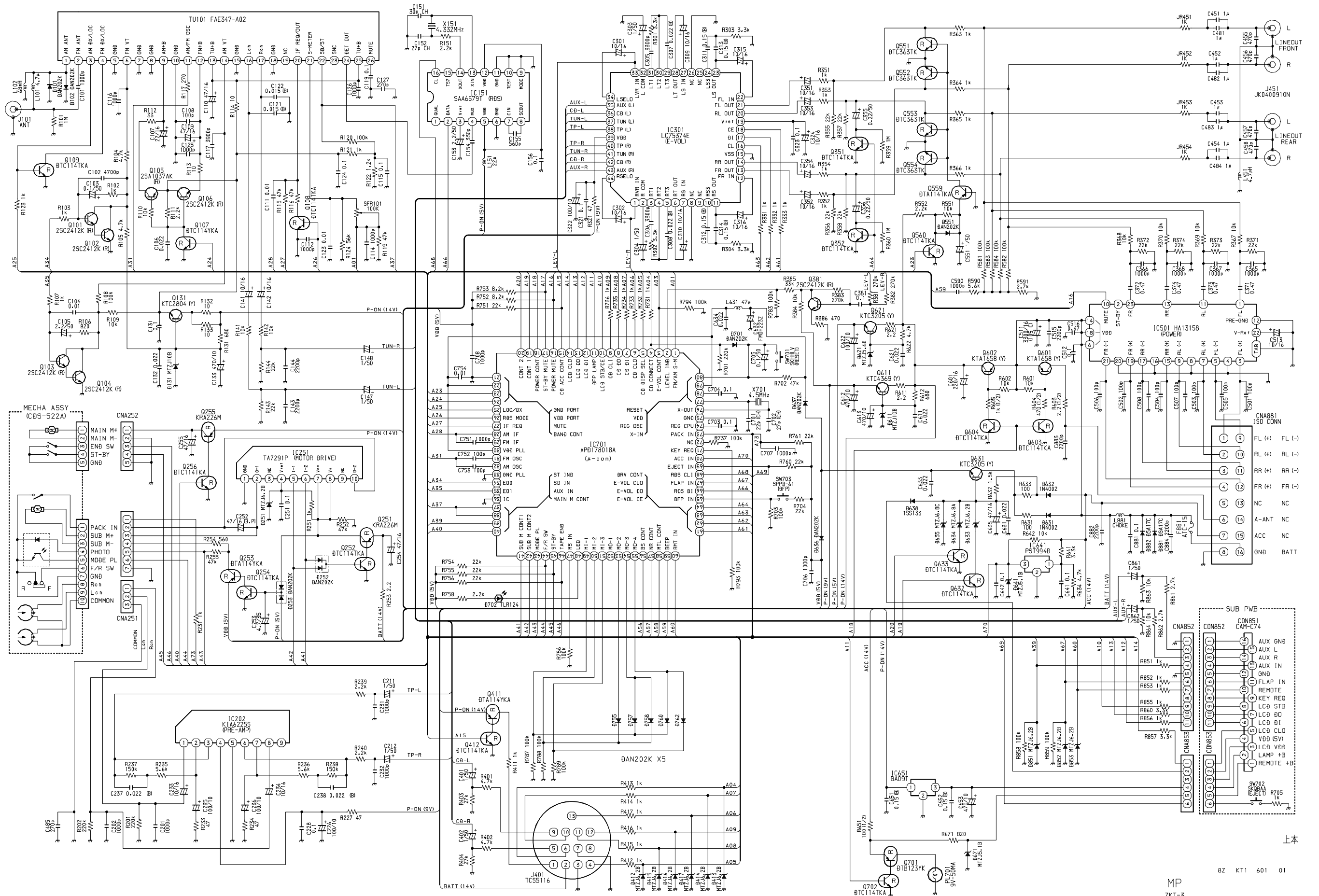
REF.NO	PARTS NO.	KANRI NO.	DESCRIPTION	SUFFIX
	8Z-KT1-001-010		CABI,FRONT F-T	ABC.....
	8Z-KT1-002-010		CABI,REAR F-T	ABC.....
	8Z-KT1-017-010		RING,OVAL -T	ABC.....
	8Z-KT1-021-010		CABI,BASE F-T	ABC.....
	8Z-KT1-022-010		CABI,TRIM F-T	ABC.....
	8Z-KT1-023-010		DOOR,CASS	ABC.....
	8Z-KT3-001-010		WINDOW,LCD FR729M	.B.....
	8Z-KT3-004-010		WINDOW,LCD FR720M NIR	A.C.....
	8Z-KT1-006-010		BTN,P.SET -T	ABC.....
	8Z-KT1-007-010		BTN,+/- -T	ABC.....
	8Z-KT1-008-010		BTN,SEL -T	ABC.....
	8Z-KT1-009-010		BTN,MUTE -T	ABC.....
	8Z-KT1-010-010		BTN,H-BASS -T	ABC.....
	8Z-KT1-011-010		BTN,U/D -T	ABC.....
	8Z-KT1-012-010		BTN,DRV -T	ABC.....
	8Z-KT1-013-010		BTN,TWIN -T	ABC.....
	8Z-KT1-014-010		BTN,TETRA -T	ABC.....
	8Z-KT1-015-010		BTN,TA -T	ABC.....
	8Z-KT1-016-010		BTN,OPEN F -T	ABC.....
	8Z-KT1-018-010		BTN,EJ F-T	ABC.....
	8Z-KT1-201-010		ARM,F-LOCK -T	ABC.....
	8Z-KT1-202-010		LEVER,F-OPEN -T	ABC.....
	8Z-KT1-203-010		GEAR,FLAP -T	ABC.....
	8Z-KT1-204-010		HLDR,F-HOOK L -T	ABC.....
	8Z-KT1-205-010		HLDR,F-HOOK R -T	ABC.....
	8Z-KT1-206-010		CASE,LCD LENS F -T	ABC.....
	8Z-KT1-207-010		LENS,LCD F -T	ABC.....
	8Z-KT1-208-010		LENS,BASE -T	ABC.....
	8Z-KT1-209-010		LENS,IR -T	.BC.....
	8Z-KT1-211-010		COVER, TOP -T	ABC.....
	8Z-KT1-212-010		COVER, BOTTOM -T	ABC.....
	8Z-KT1-215-010		HLDR,P-IC -T	ABC.....
	8Z-KT1-216-010		HLDR,DECK CDS522	ABC.....
	8Z-KT1-218-010		HLDR,CD -T	ABC.....
	8Z-KT1-219-010		HLDR,TR -T	ABC.....
	8Z-KT1-220-010		HLDR,JACK F -T	ABC.....
	8Z-KT1-222-010		ARM,SENSOR F -T	ABC.....
	8Z-KT1-225-010		HLDR,LCD F -T	ABC.....
	8Z-KT1-229-010		HLDR,DAMPER F ASS'Y-T	ABC.....
	8Z-KT1-230-010		HLDR,DFP ASS'Y-T	ABC.....
	8Z-KT1-235-010		COVER, CONN.BLIND -T	ABC.....
	8Z-KT1-237-010		CAP,LAMP GRN	ABC.....
	8Z-KT1-239-010		CAP,LAMP BLU B	ABC.....
	8Z-KT1-241-010		SPR-C,DFP HOOK F -T	ABC.....
	8Z-KT1-242-010		SPR-C,OPEN BTN F -T	ABC.....
	8Z-KT1-243-010		SPR-T,FLAP -T	ABC.....
	8Z-KT1-244-010		SPR-T,DOOR Z	ABC.....
	8Z-KT1-248-010		SPR-T,SENSOR F -T	ABC.....
	8Z-KT1-250-010		OIL-DMPR,100	ABC.....
	8Z-KT1-257-010		HLDR,ISO-WIRE -T	ABC.....
	8Z-KT1-260-010		SPR-T,F.LOCK-T	ABC.....
	87-251-073-410		SCREW,U+2.6-6	ABC.....
	87-251-075-410		U+2.6-10	ABC.....
	87-251-096-410		U+3-10	ABC.....
	87-253-034-410		U+2-5 BLK	ABC.....
	87-B10-210-010		UT2+3.0-6.0 W/O SLOT (BH TAP)	ABC.....
	88-KT1-250-010		S-SCREW,THIN HEAD+2.6-4 BLK	ABC.....
	8Z-KT1-246-010		S-SCREW,2.0-2.5 -10	ABC.....
	8Z-KT1-247-010		S-SCREW,GEAR2.0-1.8 -4.2	ABC.....
	8Z-KT1-253-010		S-SCREW,PT 2*8 BH+ BLK	ABC.....
	8Z-KT1-254-010		S-SCREW,PT 2*5 BH+ BLK	ABC.....
	88-KC4-052-010		CABI,UNIT HRC	.BC.....
	88-KC4-054-010		WINDOW,DIODE HRC	.BC.....
	88-KC4-055-010		BTN,ARRAY HRC	.BC.....
	88-KC4-056-010		HLDR,BAT. HRC	.BC.....
	88-KC4-058-010		CAP, FUNC. HRC	.BC.....
	8Z-KY1-011-010		CABI,TOP SW1 AL	.BC.....
	88-KC4-252-010		TERMINAL,(+)	.BC.....
	88-KC4-256-010		S-SCREW,VT2+2-4 BLK	.BC.....
	88-KC4-260-010		RING,DIODE -C	.BC.....
	88-KC4-261-010		TERMINAL,(-) SPR -C	.BC.....
W	1	8Z-KY1-604-010	F-CABLE,2P (LED)	.BC.....

# ACCESSORIES / PACKAGE LIST - 1/1

NOTE: The characters in the suffix column indicate the part usage.

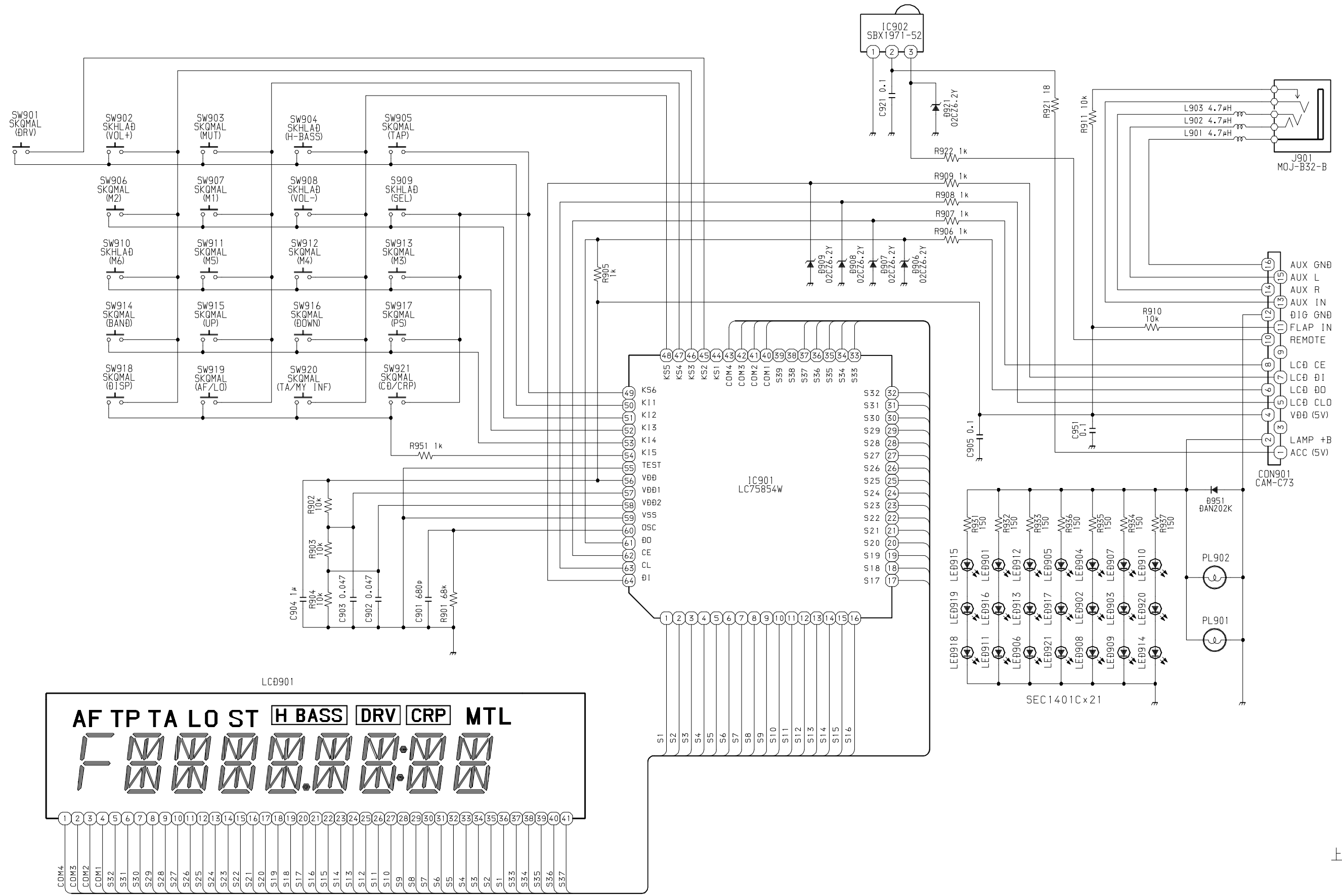
REF.NO	PARTS NO.	KANRI NO.	DESCRIPTION	SUFFIX
ZSTC		XX		A
9ZSC		XX		B
9Z1S		XX		C
8Z-KT3-901-010			IB, YZ (9L) FR720, 729, 709, 706	ABC
8Z-KT3-902-010			IB, INST, YZ (6L) FR720, 729, 709,	ABC
8Z-KT3-903-010			IB, INST, YZ (CZ-PO-H) FR720, 729,	ABC
8Z-KY1-904-010			IB, Y (3L, GIP CK) SW1-A	.BC
86-KT1-237-010			HLDR, REAR MTG	ABC
87-B10-141-010			NUT, 5 TYPE-2	ABC
87-B10-144-010			W, 5.2-10-0.5	ABC
87-B10-145-010			W-SPR, 5.3-8.5-1.5	ABC
88-KC4-053-010			HLDR, BELT HRC	.BC
88-KC4-057-010			BELT, HRC	.BC
88-KC4-254-010			PLATE, NUT M3	.BC
88-KC4-255-010			S-SCREW, HEX-SOC+3-3.5 BLK	.BC
88-KC4-257-010			KEY, HEXAGON WRENCH	.BC
88-KT1-250-010			S-SCREW, THIN HEAD+2.6-4 BLK	ABC
8Z-KT1-030-010			CASE, DFP -T	ABC
8Z-KT1-231-010			HLDR, HALF -T	ABC
8Z-KT1-232-010			KEY, REMOVE -T	ABC
* 87-B10-143-010			UT1+5-15 W/O SLOT	ABC
* 88-KT1-247-010			S-SCREW, HEXAGON	ABC
* 8Z-KT1-251-010			S-SCREW, 5*6 TH+ TAPPING ST	ABC

SCHEMATIC DIAGRAM - 1 (MAIN)





SCHEMATIC DIAGRAM - 2 (FRONT)



上本

サービス技術ニュース	
番号	連絡内容
G- -	
G- -	
G- -	

**アイワ株式会社**  
**AIWA CO.,LTD.**

9301978

Tokyo Japan

〒110-8710 東京都台東区池之端1-2-11 ☎03(3827)3111 (代表)

Printed in Singapore