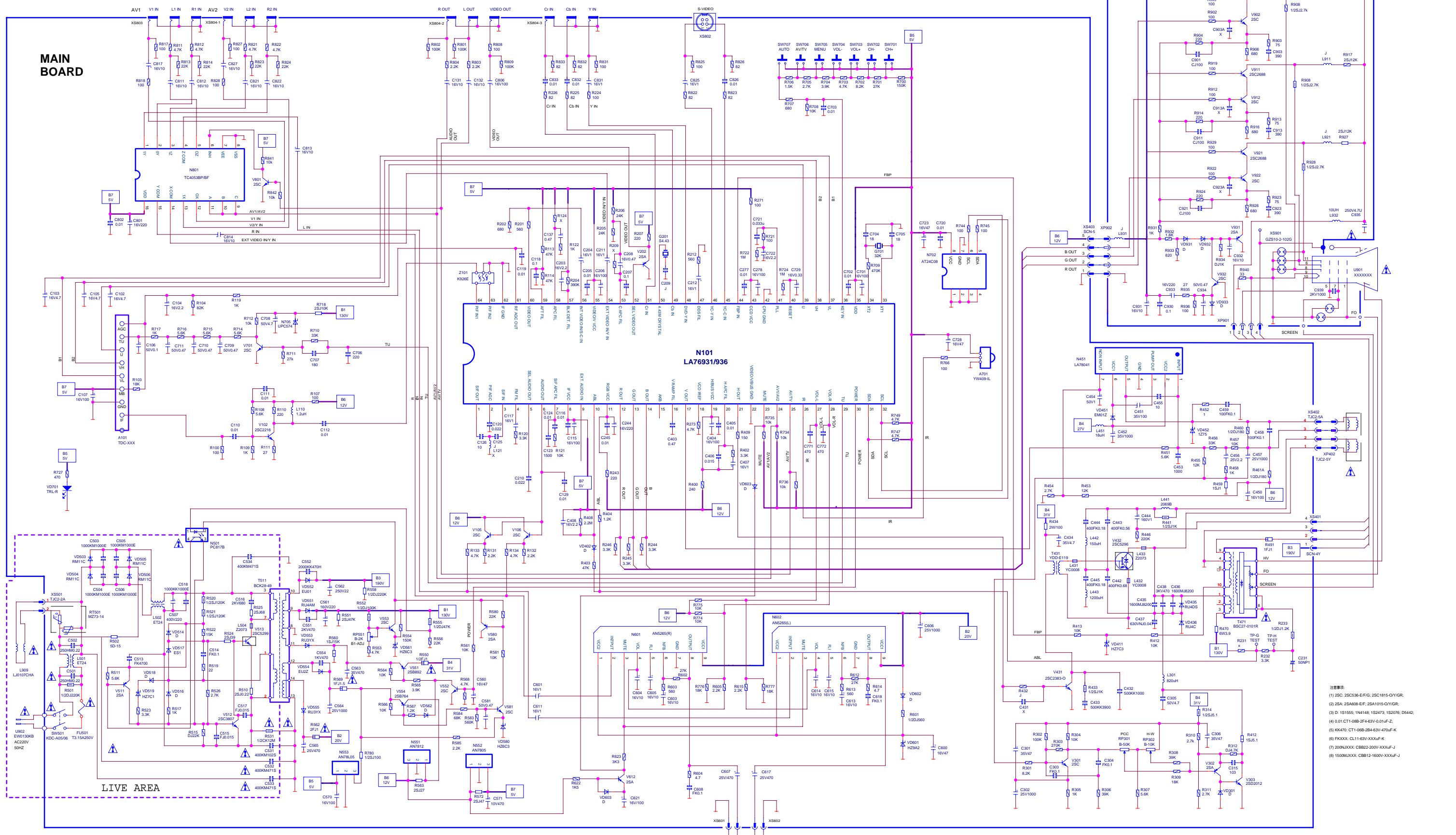


# SCHEMATIC DIAGRAM (MODEL TH-2918US)



- 注意事項:
- (1) 2SC: 2SC50-EF; 2SC1815-OYGR
  - (2) 2SA: 2SA808-EF; 2SA1015-OYGR
  - (3) D: 1S1555; 1N4148; 1S2473; 1S2076; DS442
  - (4) 0.01CT: CT1-06B-2F-43V-0.01uF-Z
  - (5) KK470: CT1-06B-2B-43V-470uF-K
  - (6) FKXXX: CL11-62V-XXXuF-K
  - (7) 200MXXX: CB822-200V-XXXuF-J
  - (8) 1500MXXX: CB812-1600V-XXXuF-J

SCHEMATIC DIAGRAM(LA76931/936)			
File	PAL/NTSC/SECAM (ver121)		
Size	Document Number		
Date	S02007	July 26, 2008	Sheet 1 of 1