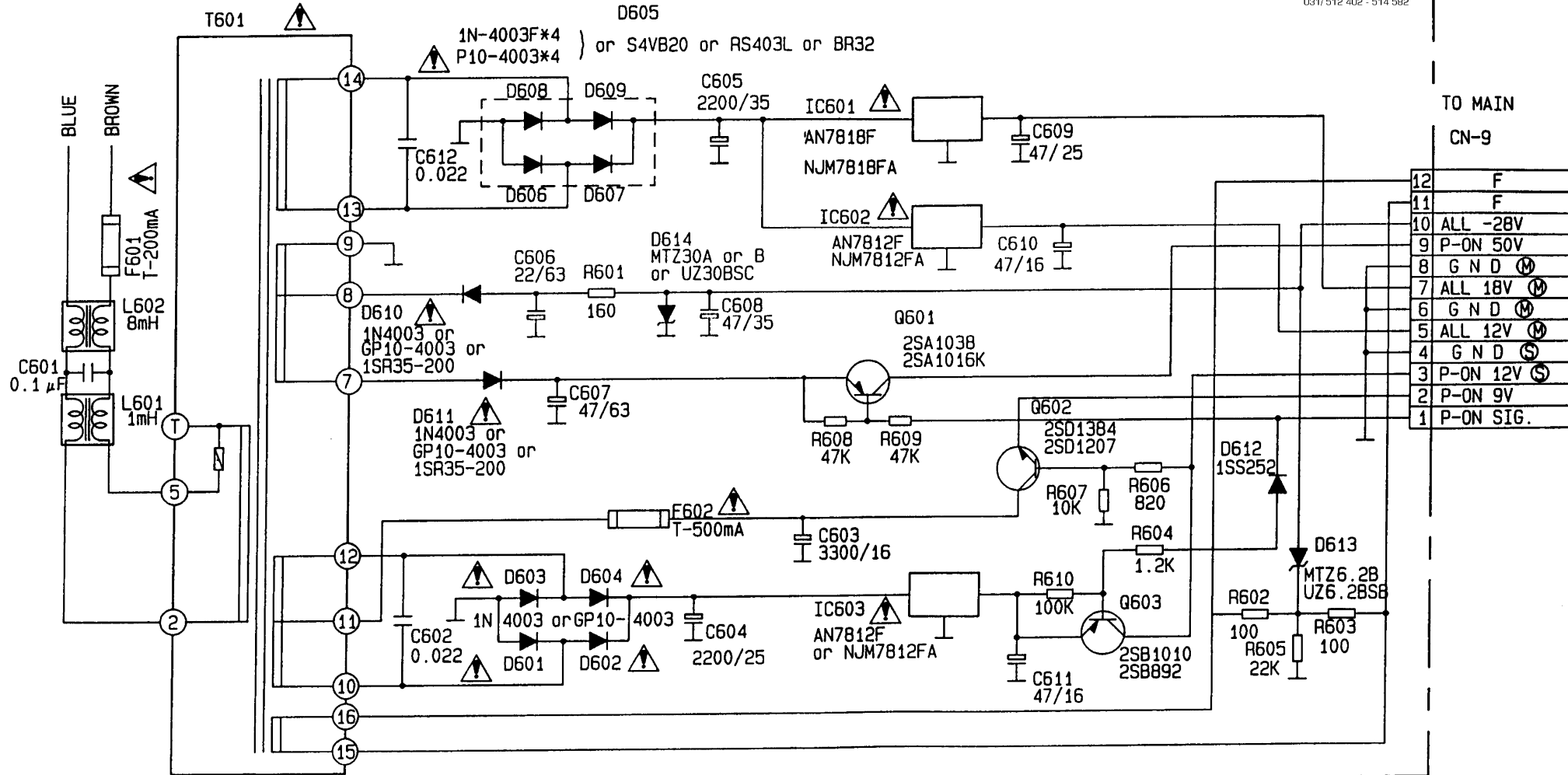
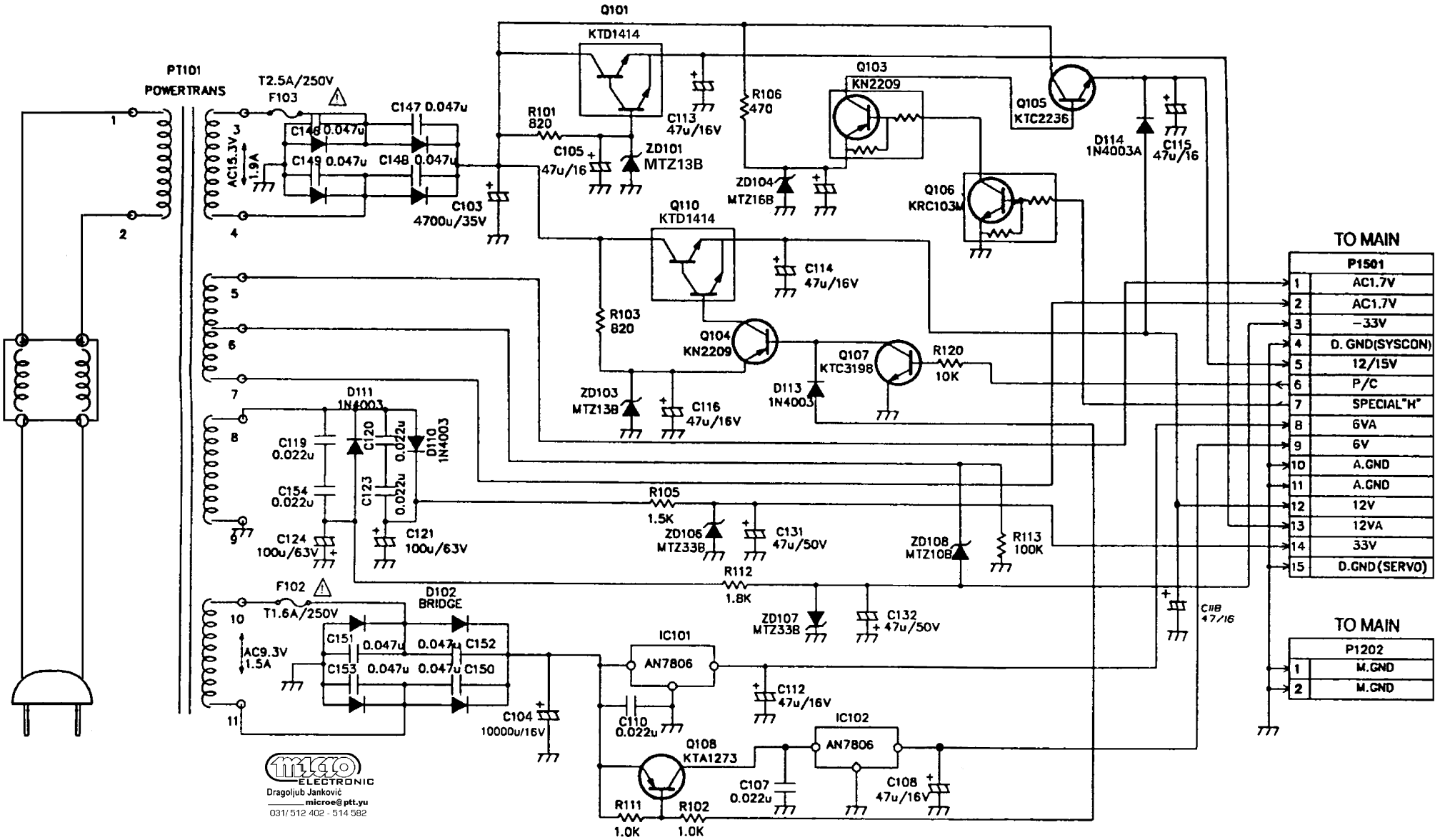


PSV P. C. BOARD





TO MAIN

P1501	
1	AC1.7V
2	AC1.7V
3	-33V
4	D. GND(SYSCON)
5	12/15V
6	P/C
7	SPECIAL "H"
8	6VA
9	6V
10	A.GND
11	A.GND
12	12V
13	12VA
14	33V
15	D.GND(SERVO)

TO MAIN

P1202	
1	M.GND
2	M.GND

IMCO
ELECTRONIC
Dragoljub Jankovic
microe@ptt.yu
031/512 402 - 514 582