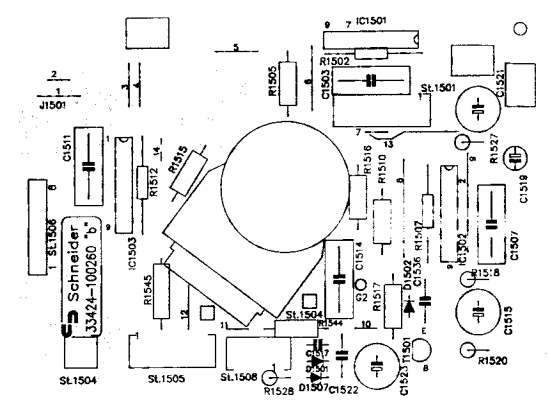
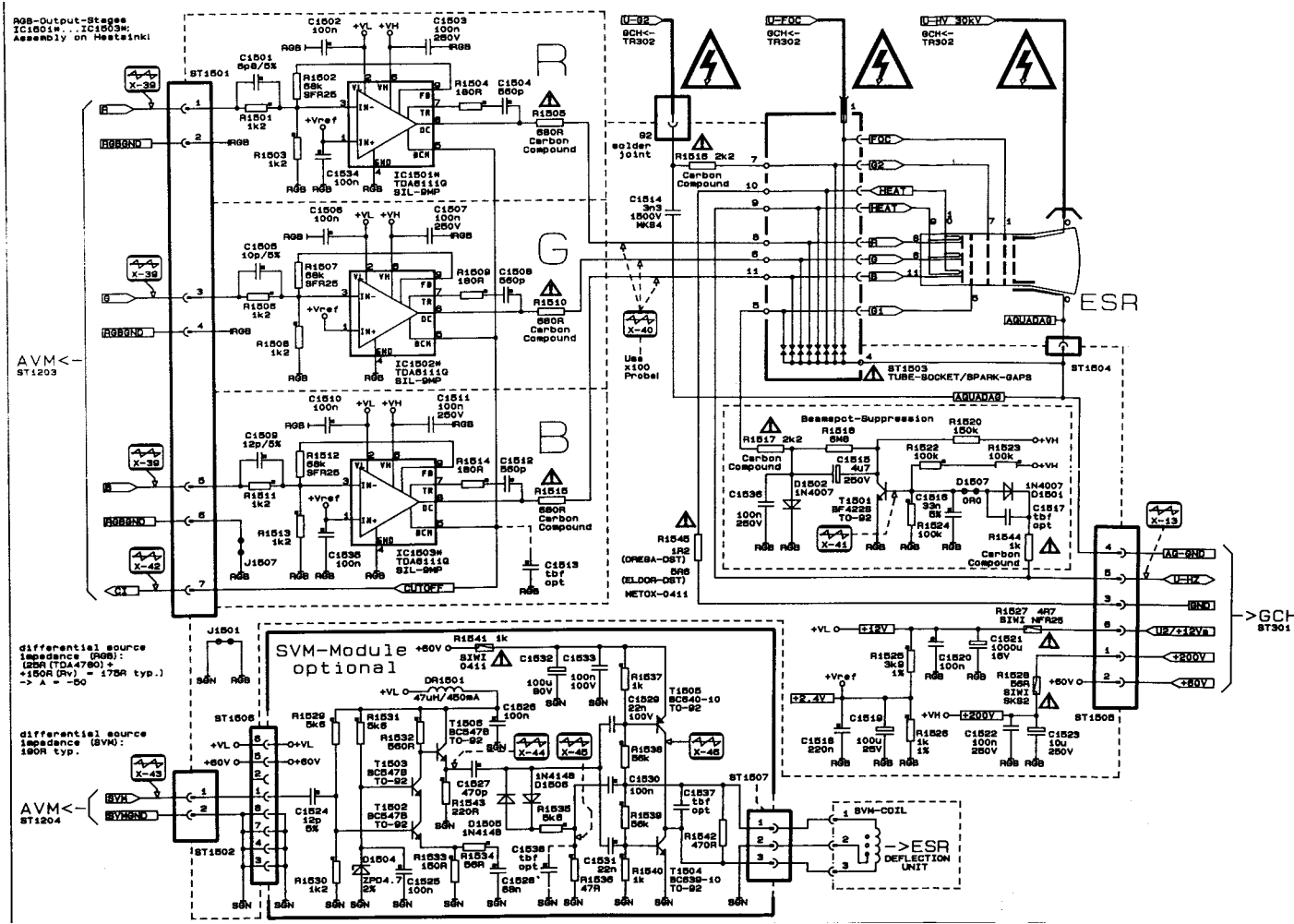


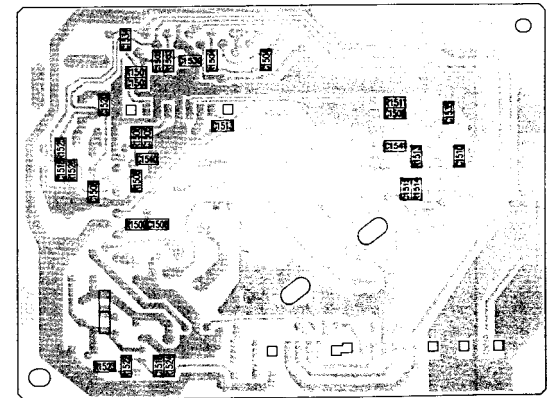
Service Manual

CHASSIS : DTV-100

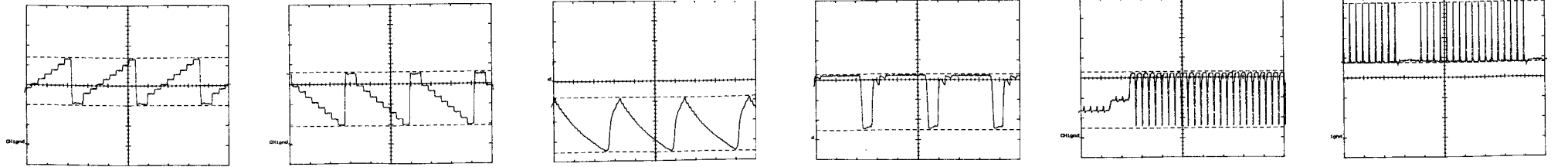
MODEL : DTW-2900ST



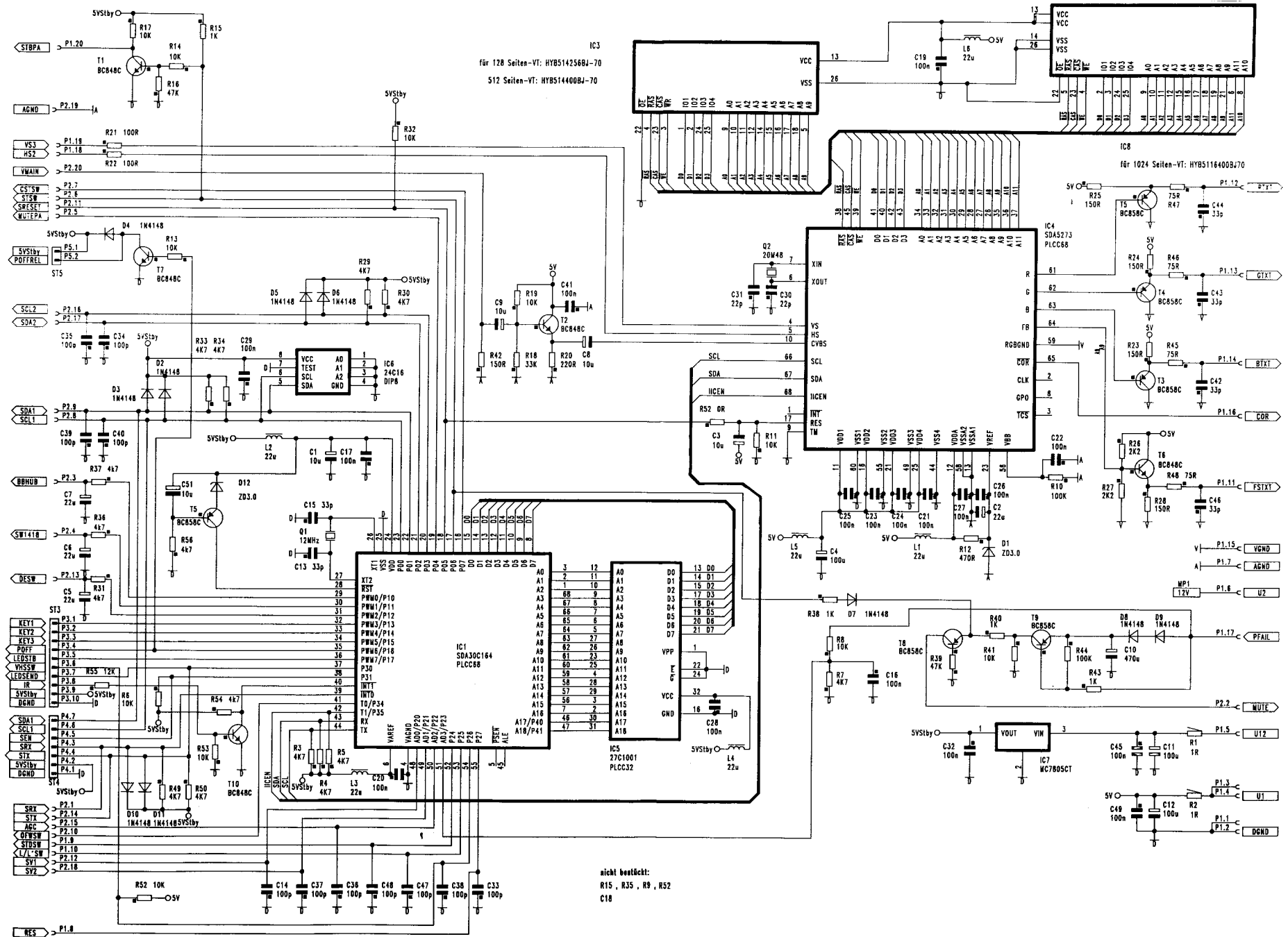
Chip-Seite/Chip view



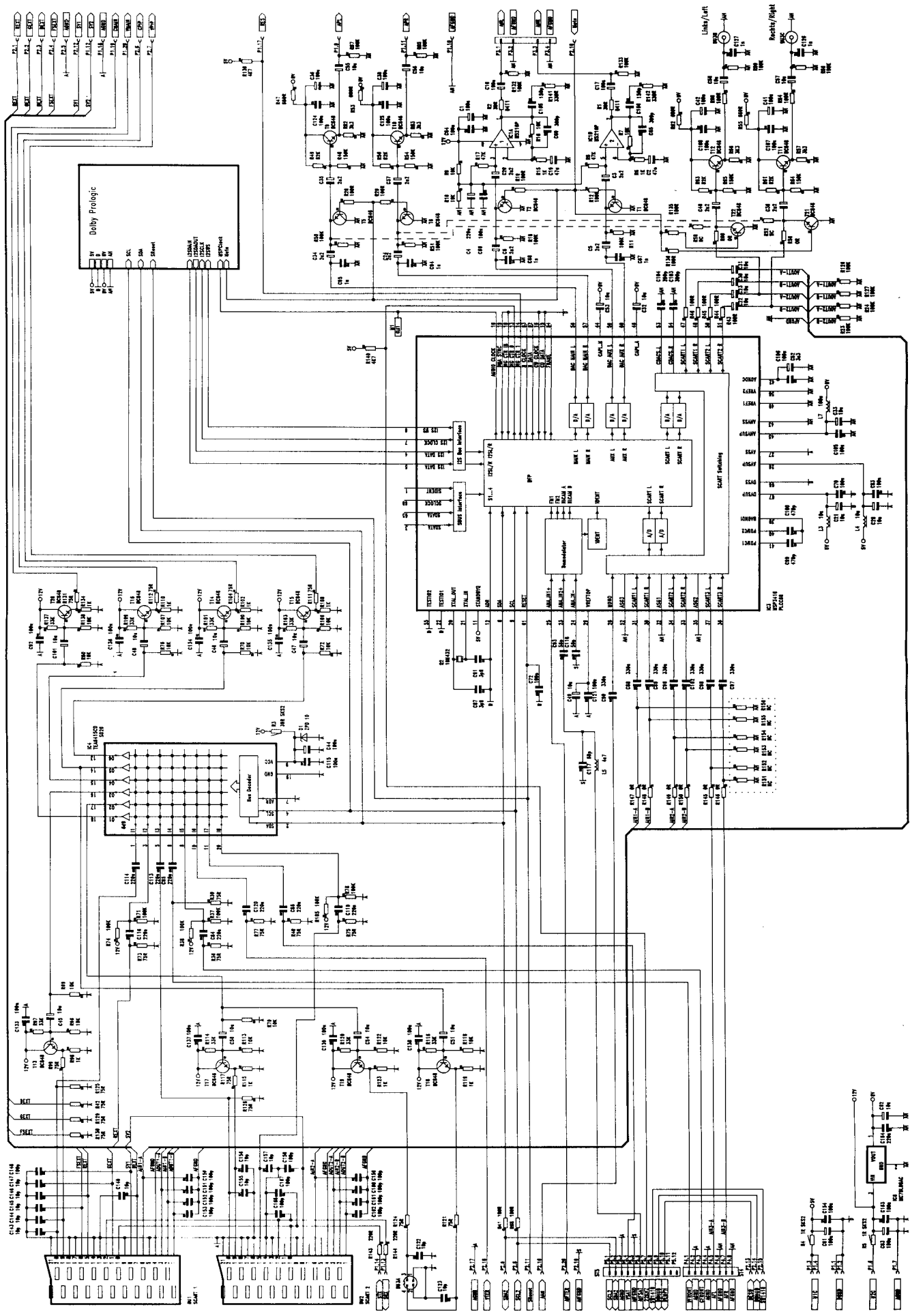
X-30 1V/div 10ns/div 2.39V X-40 50V/div 10us/div 134V X-41 200mV/div 10us/div 550mV X-42a 2V/div 10us/div 5.5V X-42b 2V/div 100us/div 5.6V X-43a 500mV/div 5ps/div 1.5V



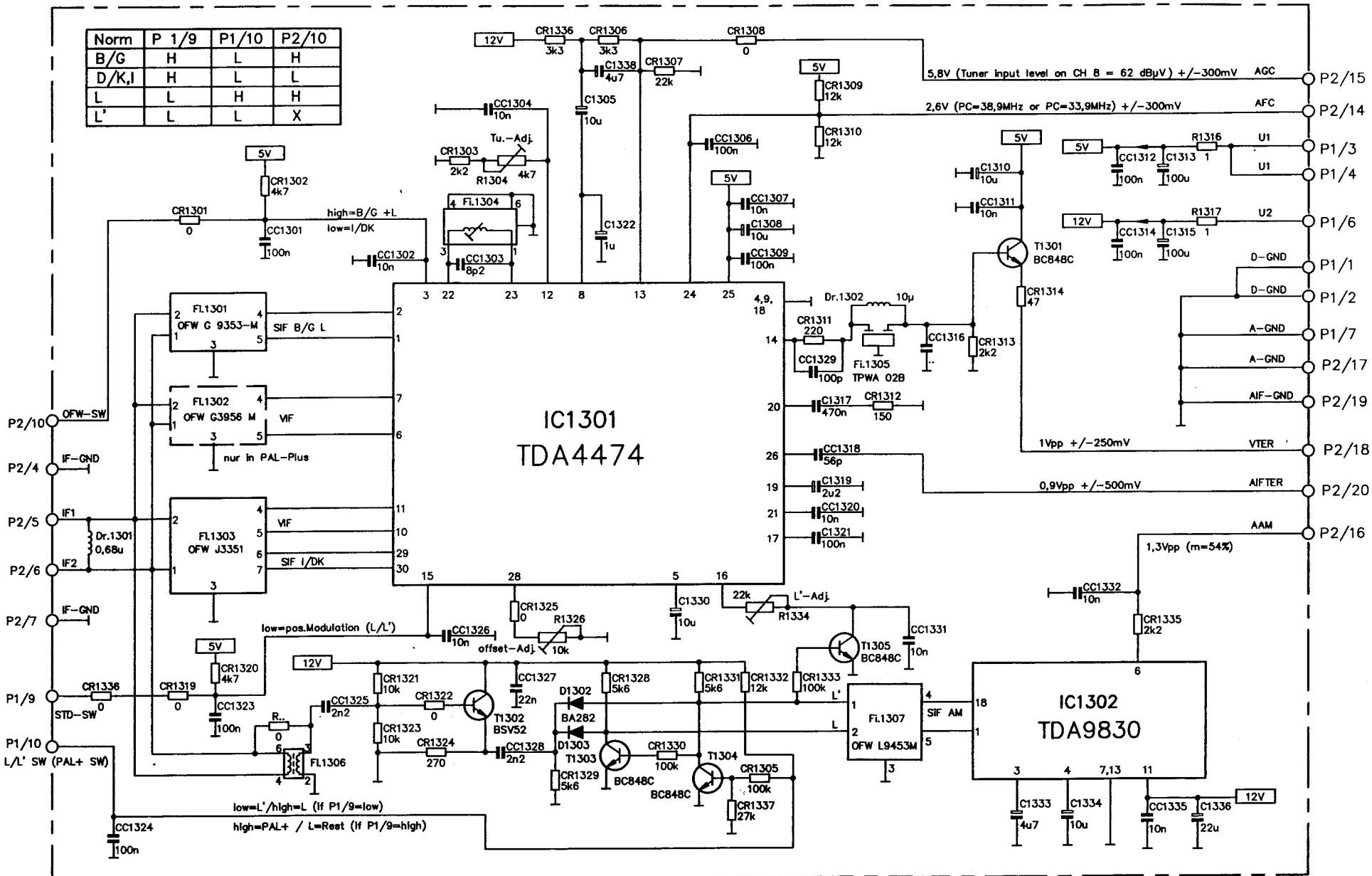
Schematic diagram controller teletext (CTM)

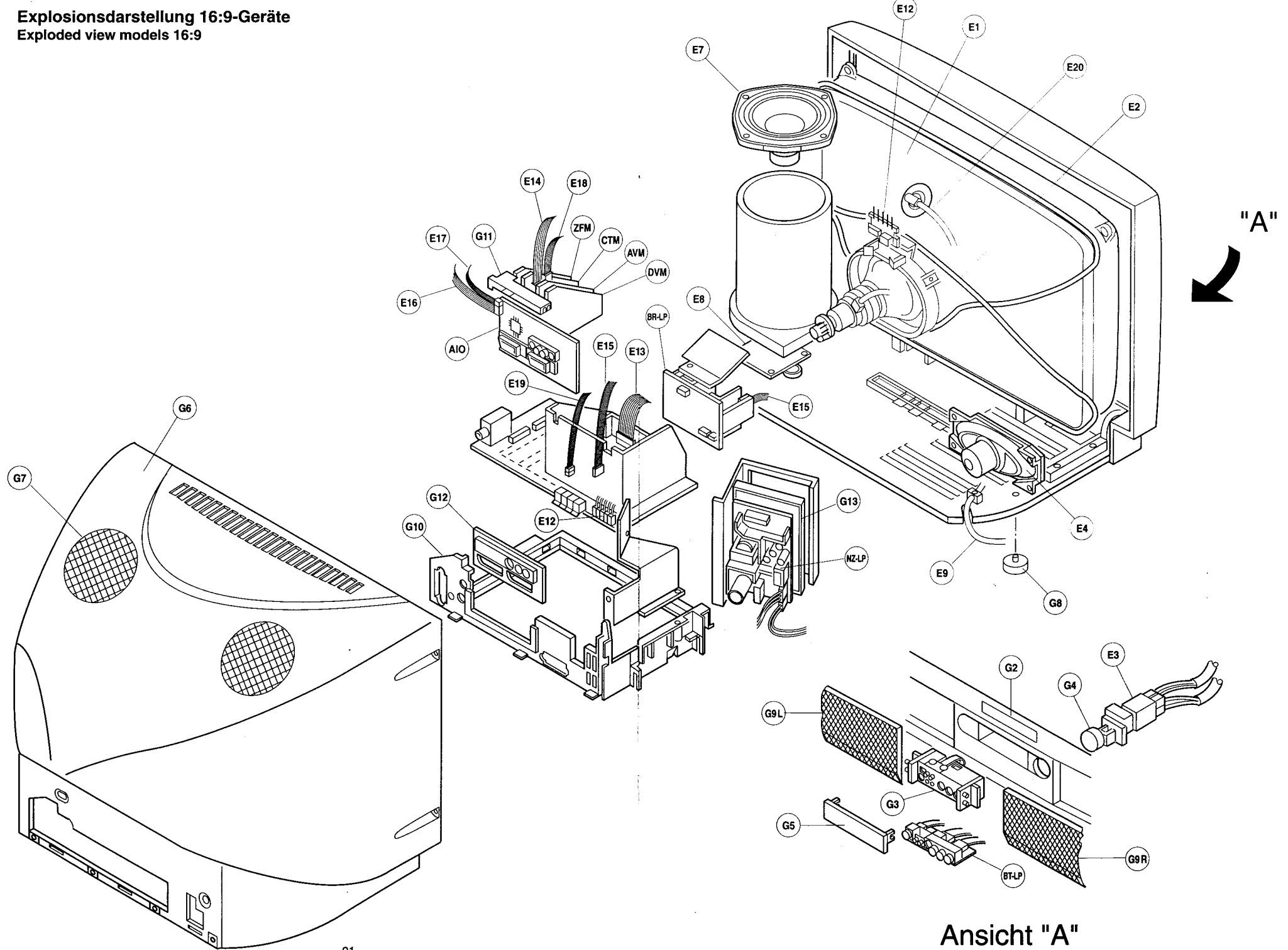


Schematic diagram audio input/output (AIO)



Schematic diagram IF euro (ZFM)





Spare parts list housing and package

| Part.-No | Description | Pos. | Price Key |
|----------|-------------|------|-----------|
|----------|-------------|------|-----------|

| | | | |
|-----------|----------------|-------|--|
| 746 67 | TRANSM.REMOCON | | |
| 01 034 38 | PCB CRT AS | BR-LP | |

Spare parts list electrical

| | | | |
|-----------|-------------------------------|---------|----|
| 01 001 72 | IC TDA 8172 | IC 401 | A6 |
| 01 001 66 | Transformer diode split (FBT) | Tr.302 | D7 |
| 01 012 37 | IC M27C2001 | IC 1005 | C1 |