

UTC78040

LINEAR INTEGRATED CIRCUIT

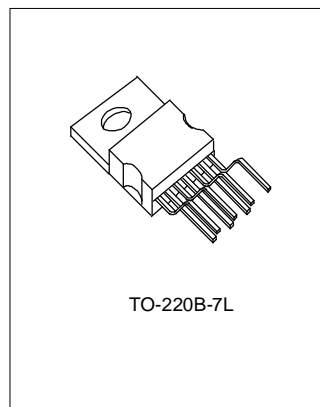
VERTICAL DEFLECTION IC

DESCRIPTION

The UTC78040 is a monolithic integrated circuit designed for use in the vertical deflection circuit of monitor and small color television receivers.

FEATURE

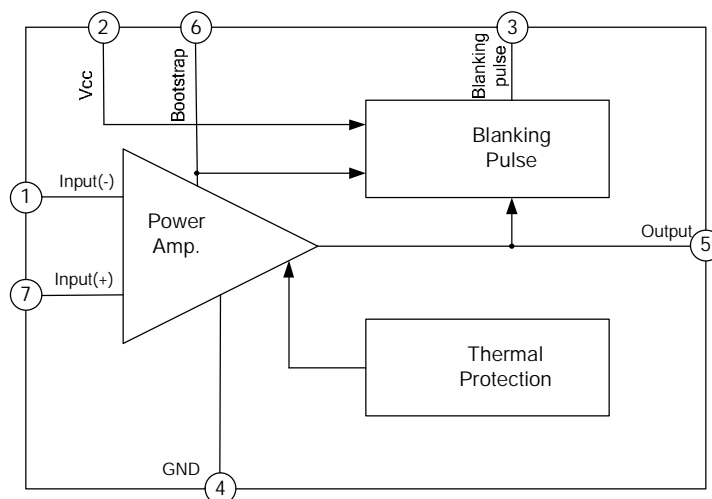
- * Built-in power amp.
- * Built-in blanking generator
- * Built-in thermal protection
- * Large output current:1.8Ap-p
- * High maximum voltage
- * DC coupling application



ORDERING INFORMATION

DEVICE	PACKAGE
UTC78040	TO-220B-7L

BLOCK DIAGRAM



PIN CONFIGURATION

Pin no.	Pin name
1	Input(-)
2	Vcc2
3	Blanking pulse
4	GND
5	Output
6	Bootstrap
7	Input(+)

ABSOLUTE MAXIMUM RATINGS(Ta=25°C)

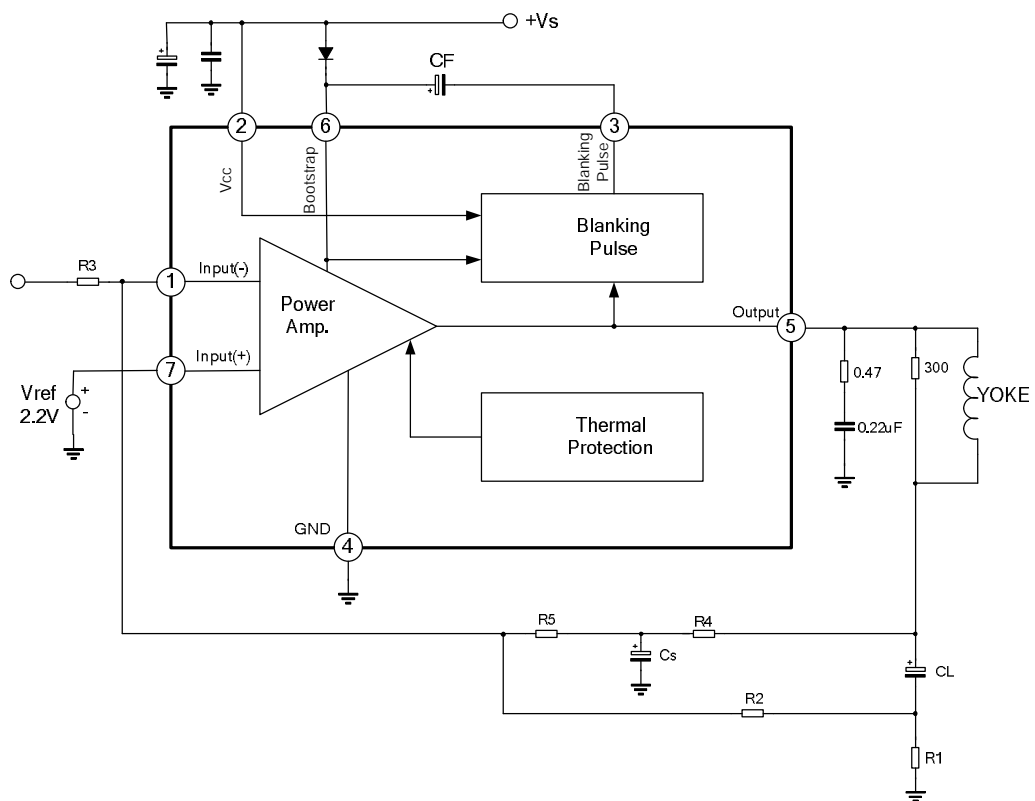
Characteristics	Symbol	Value	Unit
Supply Voltage (2pin to 4pin)	Vcc2	34	V
Output Supply Voltage (5pin to 4pin)	Vcc6	70	V
Maximum Peak Output Current	I ₅ max	-1.5~1.5	A
Thermal Resistance	R _θ	4.0	°C/W
Maximum Power Dissipation (with a specific big heatsink)	Pd max	9	W
Operating Temperature	Topr	-20~+85	°C
Storage Temperature	Tstg	-40~150	°C
Thermal shutdown Junction Temperature	Tsd	150	°C

ELECTRICAL CHARACTERISTICS (Vcc=24V,Ta=25°C)

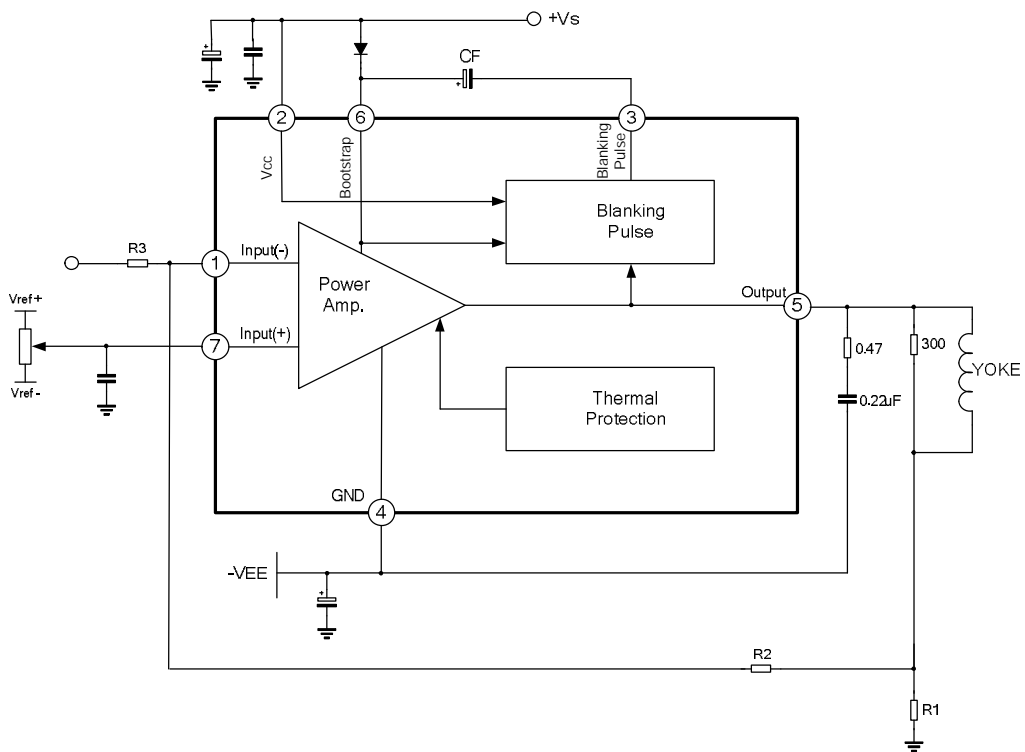
Characteristics	Symbol	Test Condition	Min	Typ.	Max	Unit
Operating Voltage Range	Vcc		16	24	33	V
Quiescent Operating Voltage	I _d		20	-	50	mA
Maximum Deflection Current	I _{5p-p}		-	-	1.8	A _{p-p}
Saturation Voltage (output to ground)	Vs5-4	I ₅ =0.9A	-	-	1.3	V
Saturation Voltage (output to supply voltage)	Vs5-6	I ₅ =0.9A	-	-	3.2	V
Pin 3 Saturation Voltage	Vs3-4	I ₃ =20mA	-	-	1.8	V
Pin 3 Saturation Voltage (blanking the second part)	Vs3-2	I ₃ =-0.9A	-	-	3.0	V
Output Midpoint Voltage	Vmid		11	12	13	V

TYPICAL APPLICATION

1. AC Coupling Application (Single Supply Application)



2.DC Coupling Application (Supply Application)



UTC78040

LINEAR INTEGRATED CIRCUIT

PACKAGE OUTLINE

