

SERVICE MANUAL

维修手册

客户/品牌

机种名

AOC

931Swl



变更说明

版本	发布日期	变更说明	对外机种名	对内机种名
A00	Jan.-28-2010	Initial Release	931Swl	T89AHENDW5A4NNE

目录

1. 技术规格	4
1.1 一般规格	4
1.2 工厂预设模式	5
2. 操作说明	6
2.1 控制面板	6
2.2 接口说明	7
2.3 OSD 菜单调整	8
3. 工厂模式调整	9
4. 故障处理流程	10
4.1 主板	10
4.2 电源板	13
4.3 按键板	15
5. 电气方框图	16
5.1 主板	16
5.2 电源板	17
6. 线路图	18
6.1 主板	18
6.2 电源板	22
7. 料件清单	24

1.技术规格

1.1 一般规格

LCD 面板	产品代码	931Sw1	
	驱动系统	TFT 彩色 LCD	
	可视尺寸	470mm 对角	
	像素间距	0.3mm(H) x 0.3mm(V)	
	视频	R, G, B 模拟接口	
	独立同步	行 /场 TTL	
	显示颜色	16.7M 色彩	
	点时钟	85.5 MHz	
分辨率	水平扫描范围	30 kHz - 81 kHz	
	水平扫描尺寸 (最大)	409.8mm	
	垂直扫描范围	55 Hz - 75 Hz	
	垂直扫描尺寸 (最大)	230.4mm	
	预设的最佳分辨率	1366 x 768 (60 Hz)	
	预设的最高分辨率	1366 x 768 (60 Hz)	
	即插即用	VESA DDC2B/CI	
	输入连接器	D-Sub 15 针	
	输入视频信号	模拟: 0.7Vp-p (标准), 75 OHM	
	电源	100-240VAC, 50/60Hz	
	功率消耗	开机	< 25 W
		离机	< 1 W
物理 特性	连接器类型	15- 针 Mini D-Sub	
	信号电缆类型	可分离	
	尺寸和重量:		
	高度 (含底座)	357.9 mm	
	宽度	455.2mm	
	深度	219.7mm	
	重量 (仅监视器)	3.53kg	
	重量 (含包装)	4.86 kg	
环境	温度		
	工作时	0° - +40°	
	非工作时	-20° - +60°	
	湿度:		
	工作时	10% - 85% (非凝露)	
	非工作时	5% - 80% (非凝露)	
	海拔高度		
	工作时	0~3000m (0~10000 ft)	
	非工作时	0~5000m (0~15000 ft)	

1.2 工厂预设模式

标准	分辨率	水平频率(kHZ)	垂直频率(Hz)
VGA	640 x 480 @60Hz	31.469	59.94
VGA	640 x 480 @67Hz	35	66.667
VGA	640 x 480 @72Hz	37.861	72.809
VGA	640 x 480 @75Hz	37.5	75
Dos-mode	640 x 400 @70Hz	31.469	70.087
Dos-mode	720 x 400 @70Hz	31.469	70.087
SVGA	800 x 600 @56Hz	35.156	56.25
SVGA	800 x 600 @60Hz	37.879	60.317
SVGA	800 x 600 @72Hz	48.077	72.188
SVGA	800 x 600 @75Hz	46.875	75
Mac-mode	832 x 624 @75Hz	49.725	74.5
XGA	1360 x 768 @60Hz	47.712	60.015
XGA	1024 x 768 @60Hz	48.363	60.004
XGA	1024 x 768 @70Hz	56.476	70.069
XGA	1024 x 768 @72Hz	57.5	72.074
XGA	1024 x 768 @75Hz	60.023	75.029
XGA	1024 x 768 @75Hz	60.241	74.927
WSXGA	1366 x 768 @60Hz	47.765	59.85

2.操作说明

2.1 控制面板

外部控制

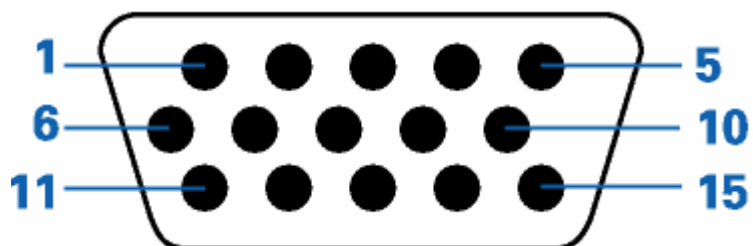
按电源开关即可开关显示器。其它功能按键位于前面板下方。通过调节这些功能键可得到您需要的画面。

- * 接好电源线。
- * 将信号线接到 PC 机显卡。
- * 打开显示器把开关打到开机位置，电源指示灯亮。



1	亮度情景模式(动态对比度) / -
2	4:3/宽屏切换 /+
3	电源开关
4	自动调整 / 退出
5	菜单键/选择

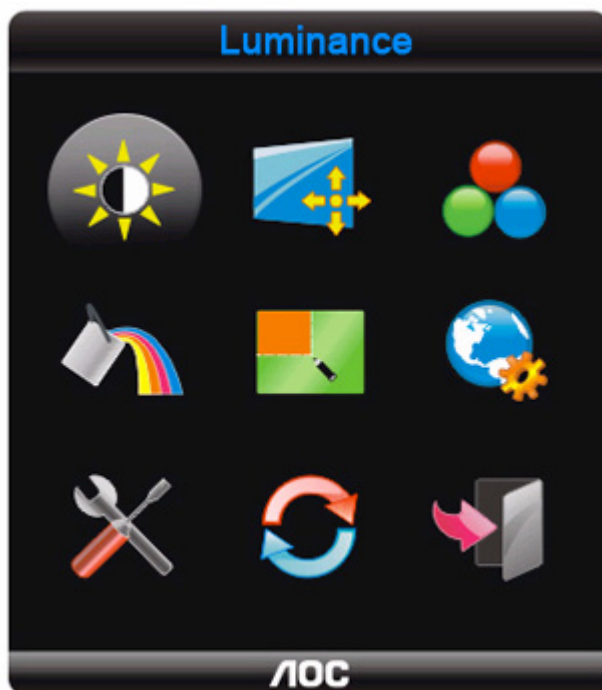
2.2 接口说明



管脚号	信号电缆的 15 针一端	管脚号	信号电缆的 15 针一端
1	视频 - 红色	9	+5V
2	视频 - 绿色	10	接地
3	视频 - 蓝色	11	接地
4	接地	12	DDC- 串行数据
5	检测电缆	13	H- 同步
6	GND-R	14	V- 同步
7	GND-G	15	DDC- 串行时钟
8	GND-B		

2.3 OSD 菜单调整

- 按 MENU 按钮激活 OSD 窗口。
- 按 + 或 - 浏览这些功能。如果想要调整的功能突出显示，按 MENU 按钮激活它。如果所选的功能包含有子菜单，再按一下 + 或 - 可以浏览到子菜单功能。如果想要调整的功能突出显示，按 MENU 按钮激活它。
- 按 + 或 - 更改所选功能的设置。要退出和保存，请选择退出功能。
- 如果您想调整其它任何功能，请重复步骤 2-3 。
- OSD 锁定功能： 要锁定 OSD ，请在显示器关闭时按住 MENU 按钮，然后按电源按钮打开显示器。 要解锁 OSD ，请在显示器关闭时按住 MENU 按钮，然后按电源按钮打开显示器 。
- 亮度情景模式及动态对比度热键： 在画面没有 OSD 时，连续按此热键可选择不同的亮度情景应用模式及打开动态对比度功能。
- 4:3 及宽屏画面切换热键： 在画面没有 OSD 时，连续按此键可进行 4:3 或宽屏显示模式切换(如果产品屏幕尺寸是 4:3 或者输入信号的分辨率是宽屏模式时，此键无作用)。
- 自动调整快捷键： 当没有 OSD 菜单时，按自动调整快捷键可启动自动调整功能。



LED 指示灯

状态	LED 颜色
开机模式	绿色或蓝色
离机模式	橙色或红色

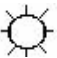
3.工厂模式调整

进入工厂模式方法:

机器应处于开机状态,先按住Menu键,再关断输入的电源,然后接通电源,工厂模式菜单将位于屏的左上角。

a.基本调整:

设置对比度  为 50。

设置亮度  为 90。

b.增益调整:

调整9300K色温

1、选中“AUTO LEVEL”先进行底光栅自动调整

2、按“MENU”选择9300K进行R G B增益调整

$x = 283 \pm 30, y = 297 \pm 30, Y = 180 \pm 30 \text{ cd/m}^2$

调整7300K色温

1、选中“AUTO LEVEL”先进行底光栅自动调整

2、按“MENU”选择7300K进行R G B增益调整

$x = 302 \pm 30, y = 318 \pm 30, Y = 180 \pm 30 \text{ cd/m}^2$

调整6500K色温

1、选中“AUTO LEVEL”先进行底光栅自动调整

2、按“MENU”选择 6500K 进行 R G B 增益调整

$x = 313 \pm 30, y = 329 \pm 30, Y = 180 \pm 30 \text{ cd/m}^2$

调整sRGB色温

1、选中“AUTO LEVEL”先进行底光栅自动调整

2、按“MENU”选择 sRGB 进行 R G B 增益调整

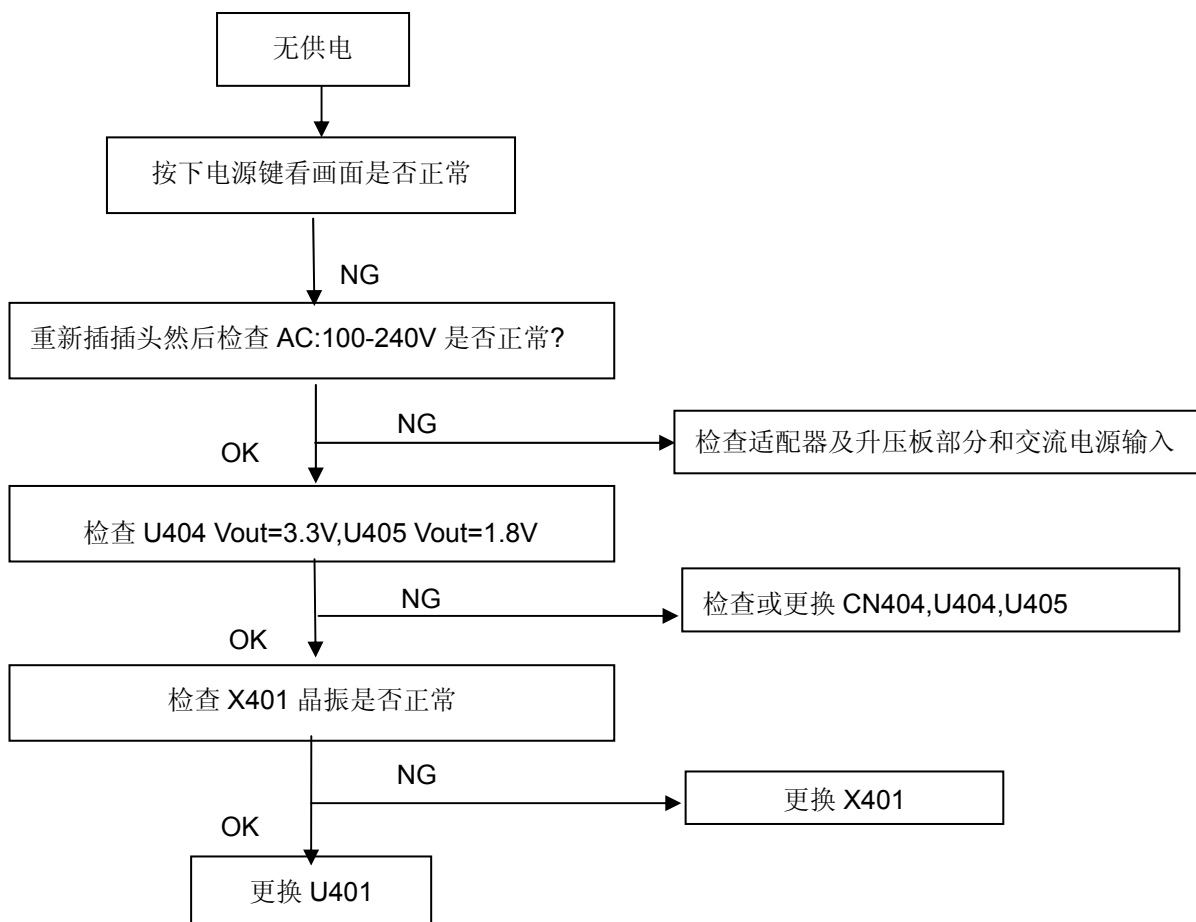
$x = 313 \pm 30, y = 329 \pm 30, Y = 180 \pm 30 \text{ cd/m}^2$

c.调整完毕直接关闭电源。

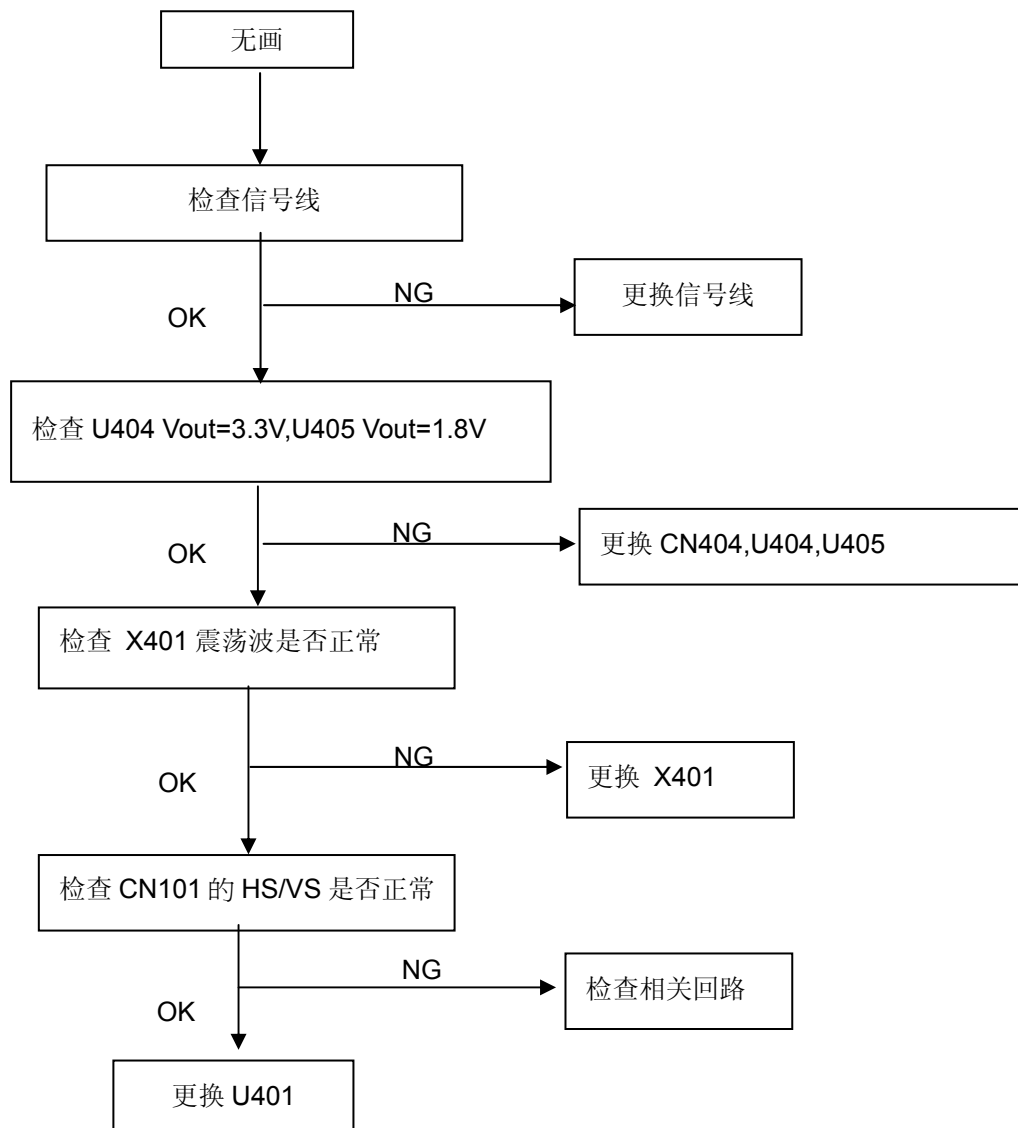
4.故障处理流程

4.1 主板

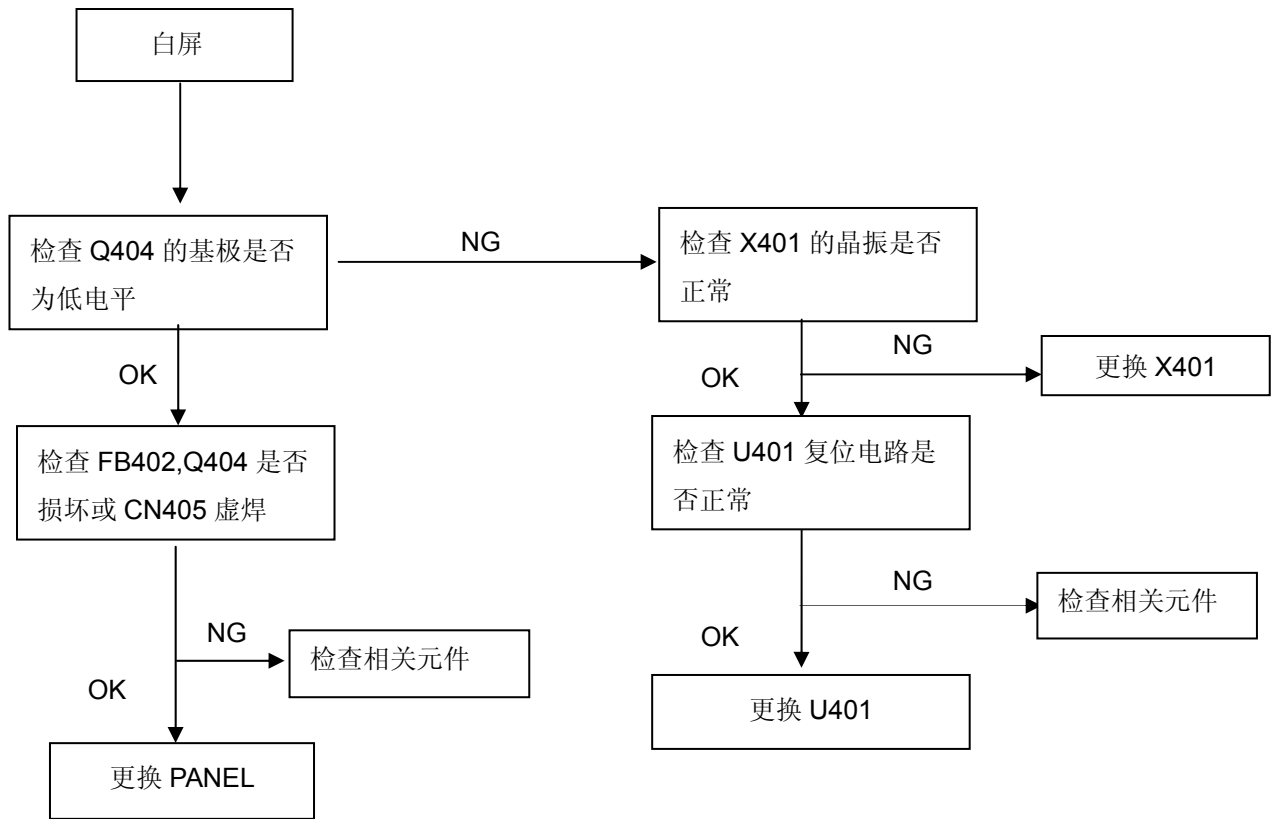
无供电



无画 (LED 橙色)

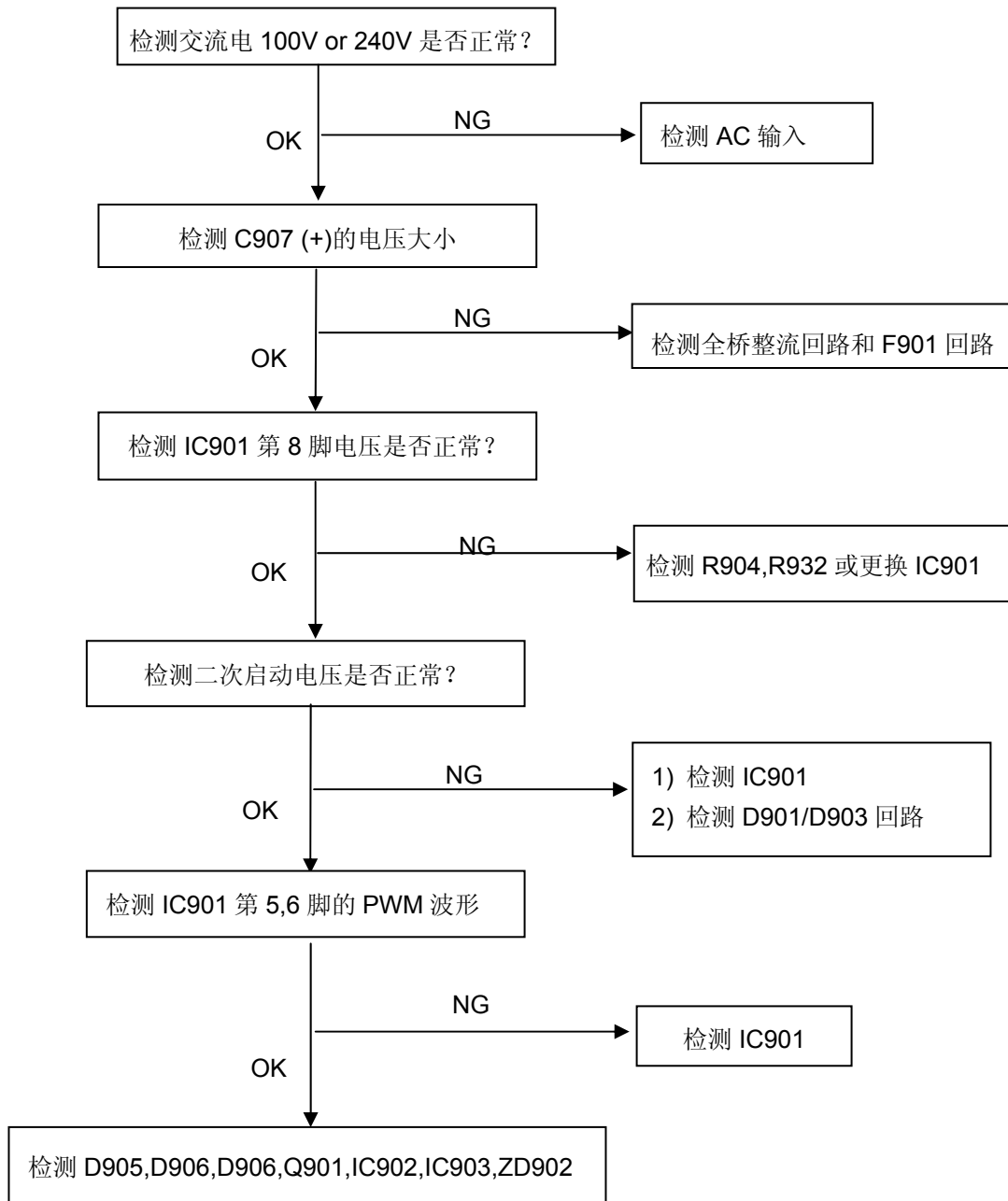


白屏

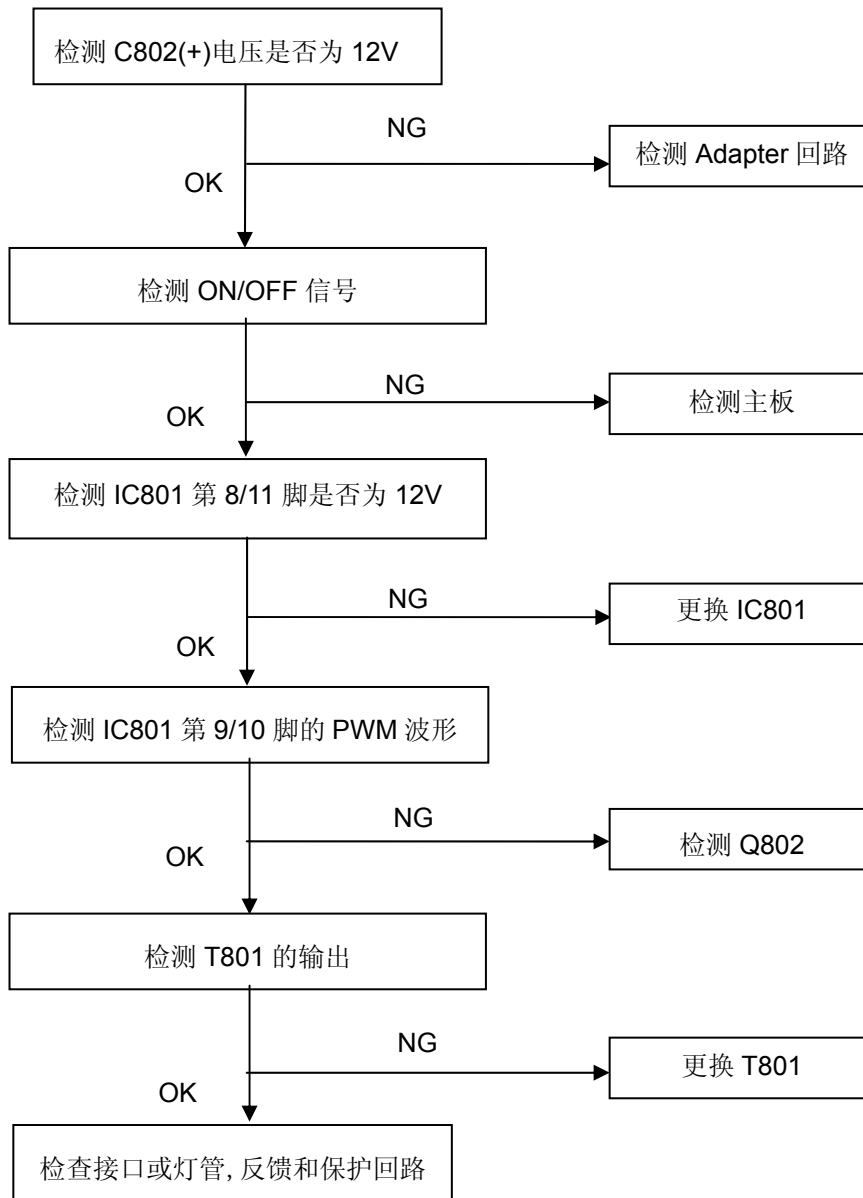


4.2 电源板

死机

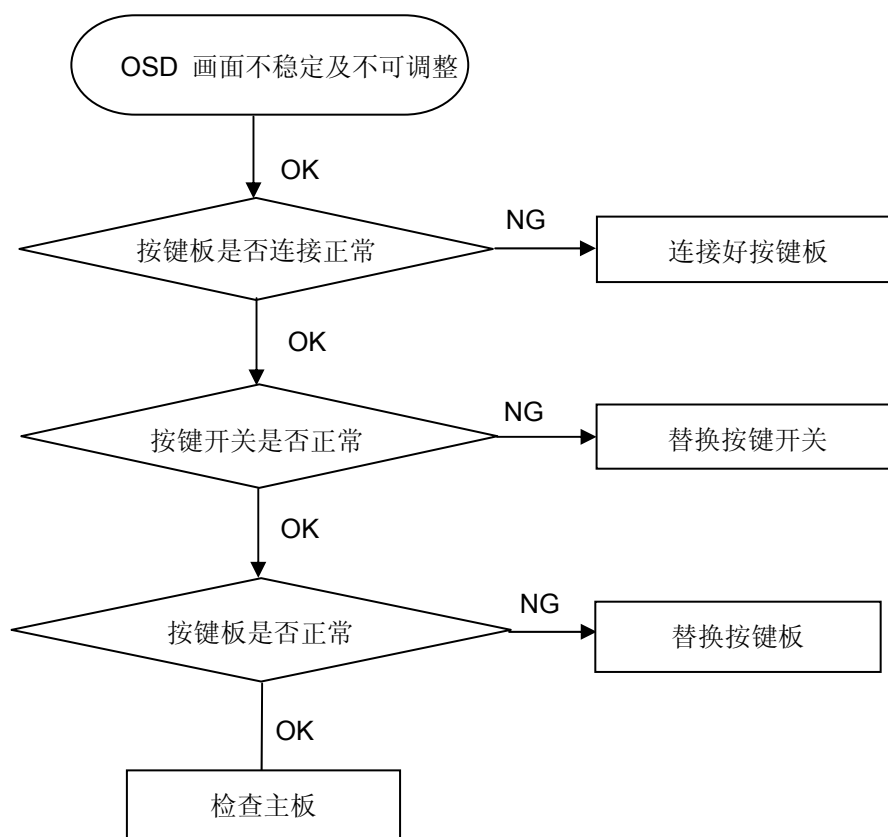


无背光



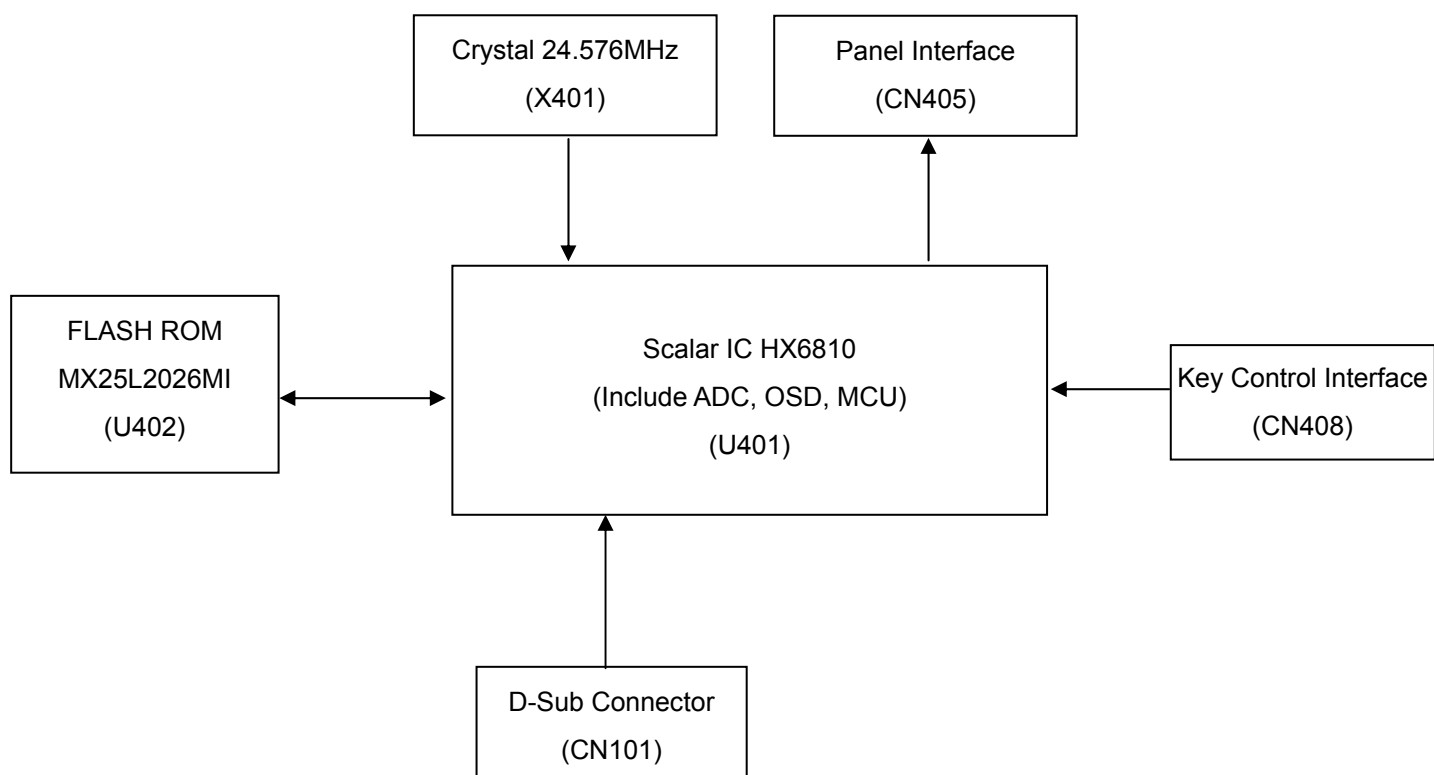
4.3 按键板

OSD 画面不稳定及不可调整

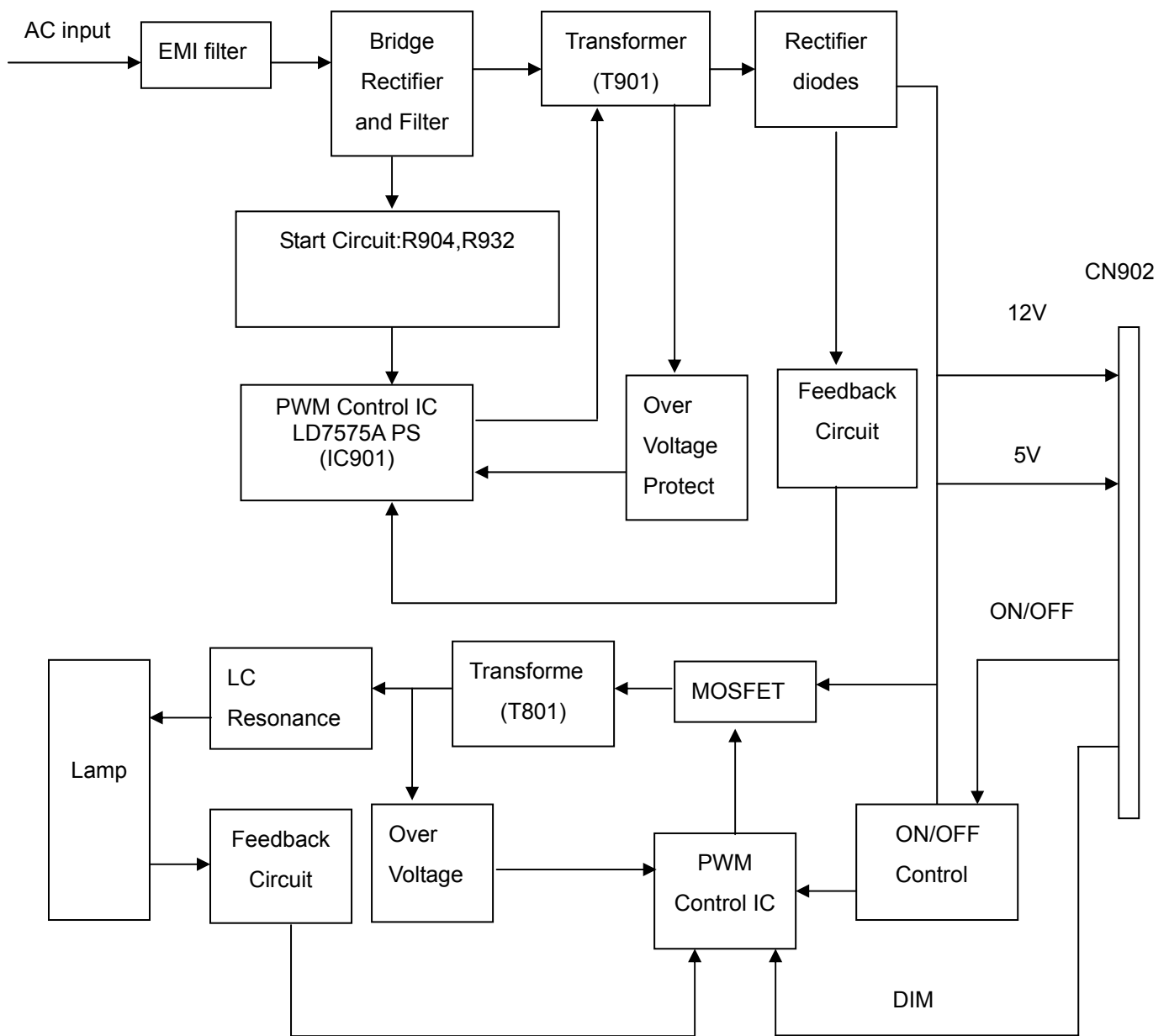


5.电气方框图

5.1 主板

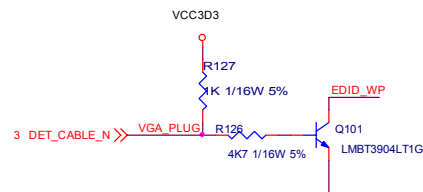
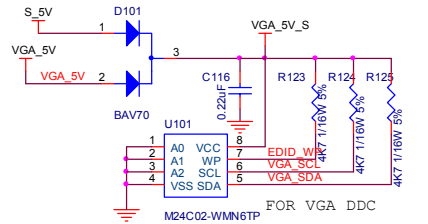
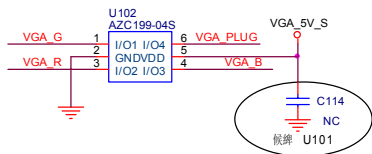
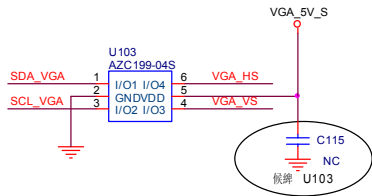
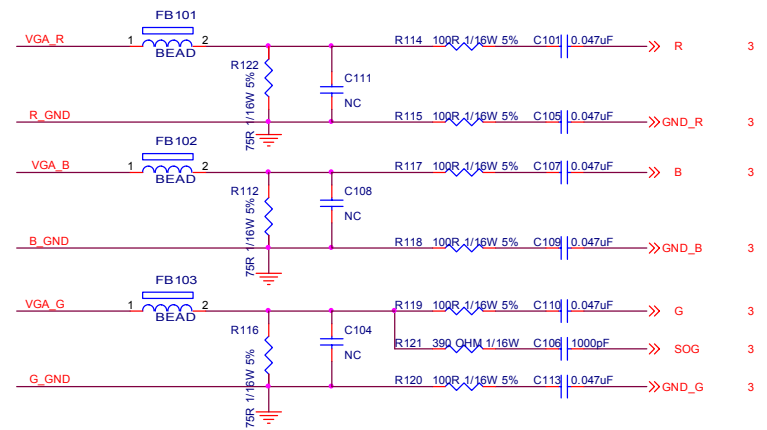
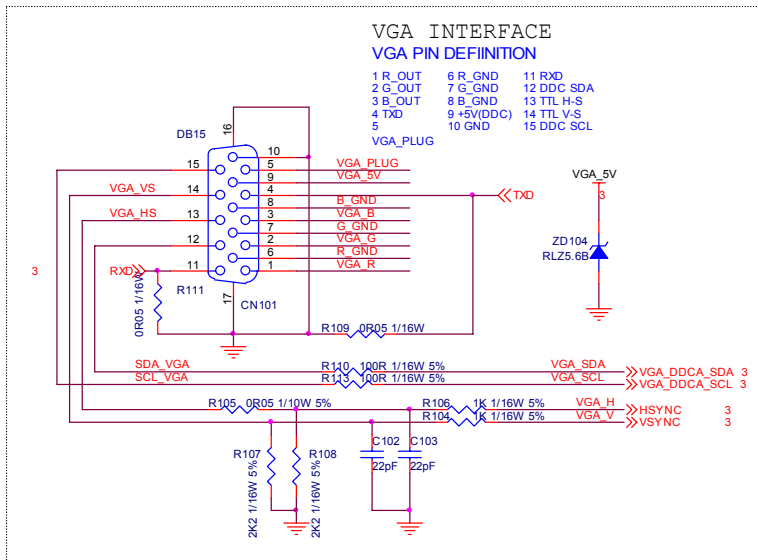


5.2 电源板

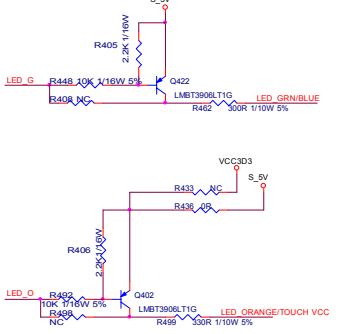
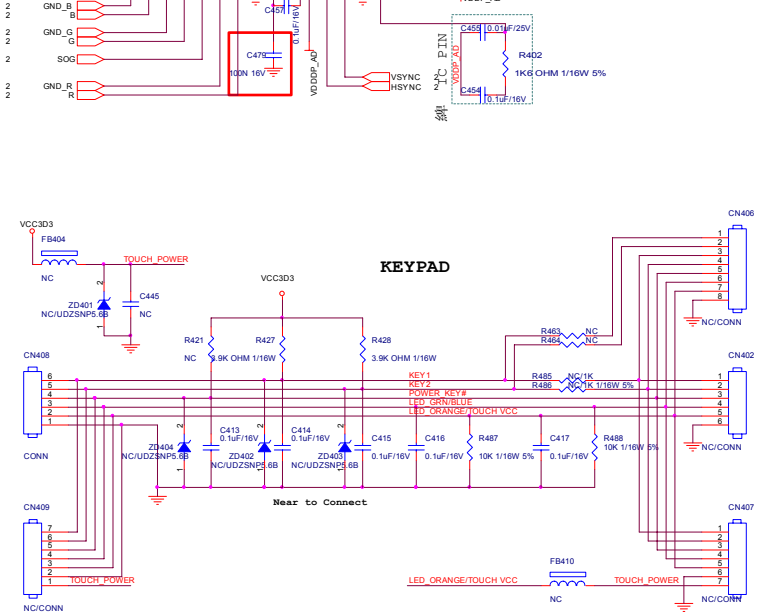
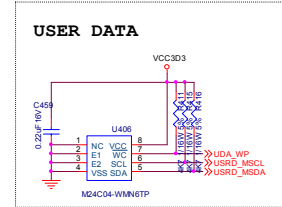
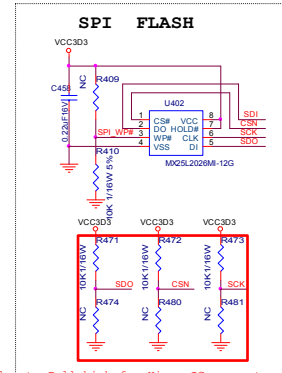
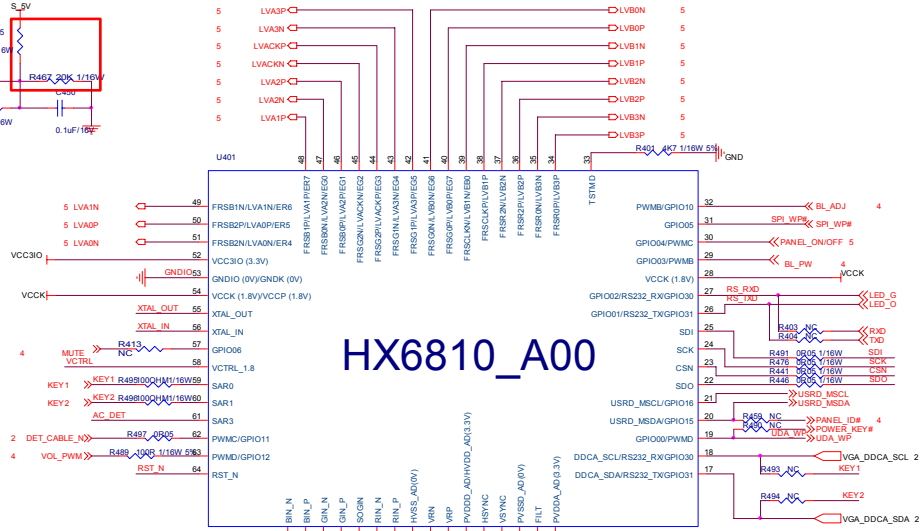
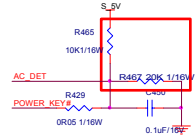
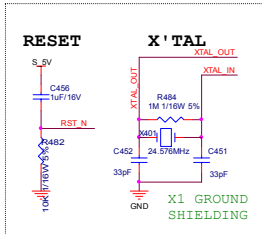
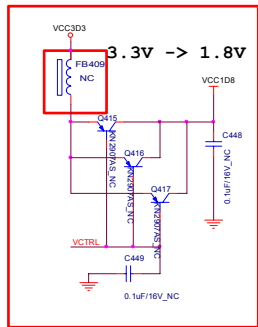
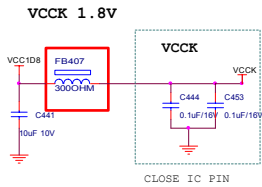
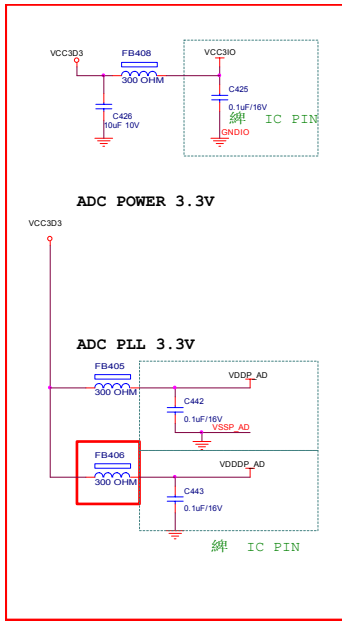


6. 线路图

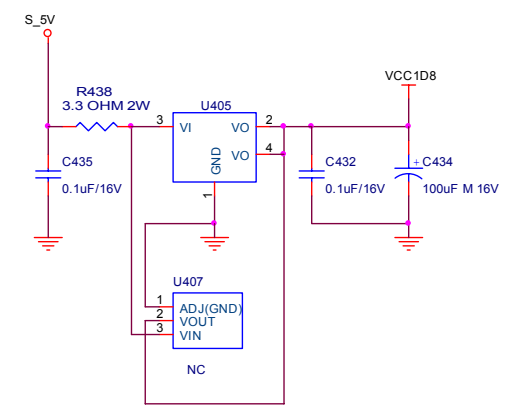
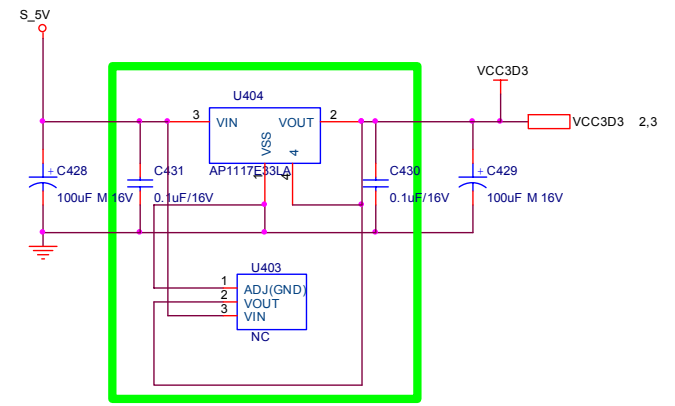
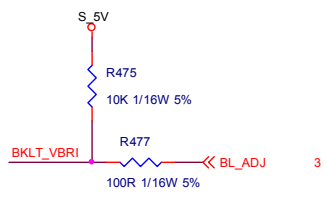
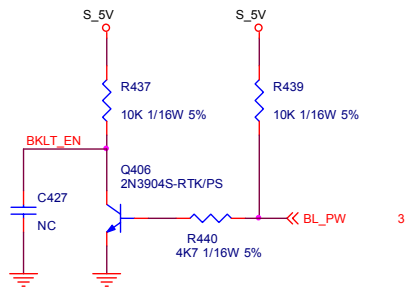
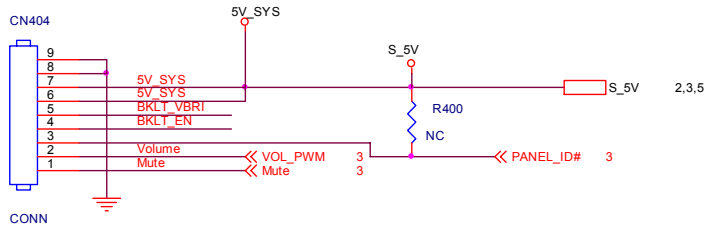
6.1 主板



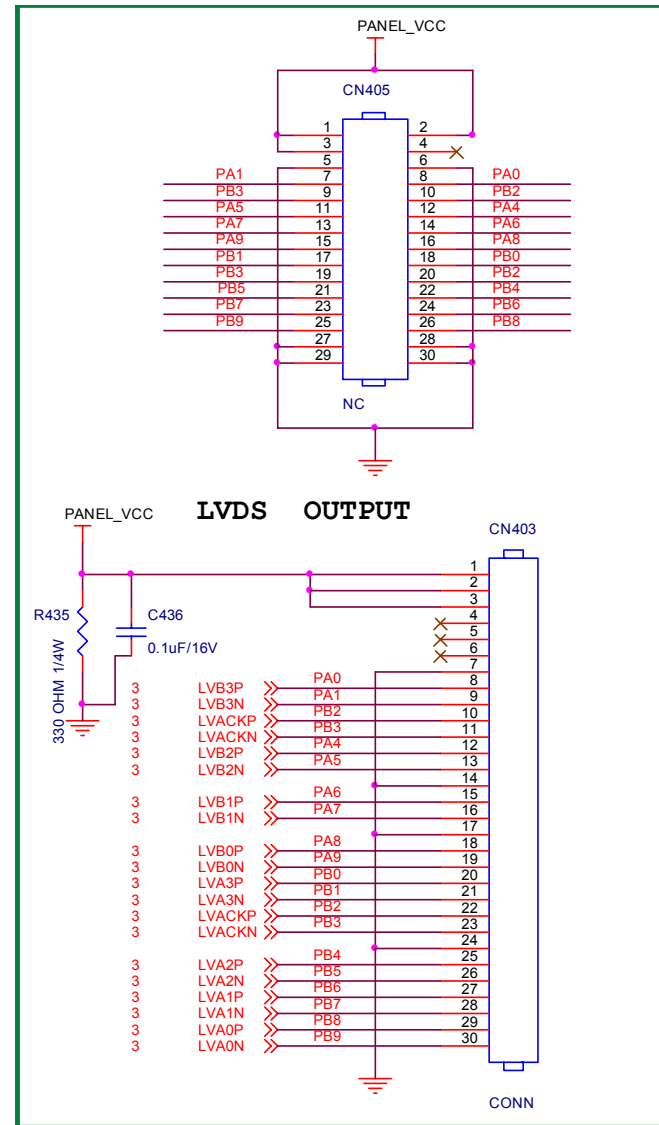
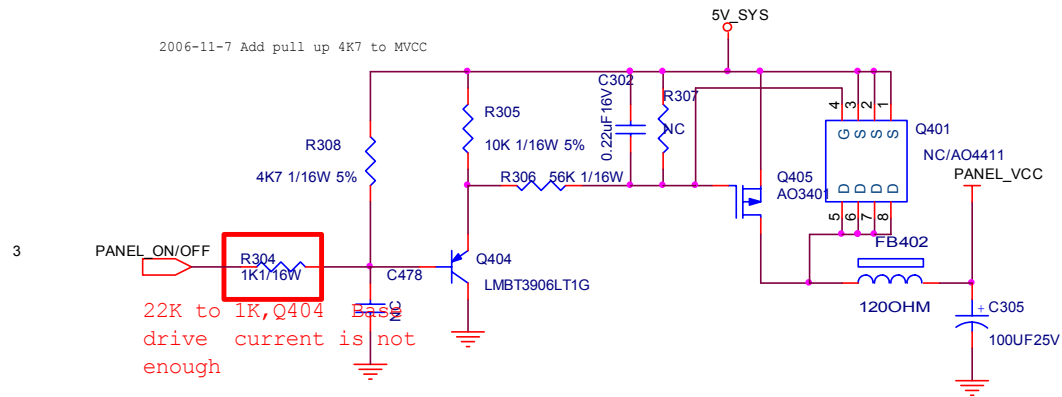
TPV (Top Victory Electronics Co., Ltd.)	OEM MODEL	TBD	Size	B
威爾瓜爾	G3635-MOB-000-0040-1-090612	TPV MODEL	AOC 919Wx+	Rev
Key Component	02.Input	PCB NAME	G3635-MOB-000-004S	称簽
Date	Tuesday, September 22, 2009	Sheet	2 of 6	<稱簽>



T P V (Top Victory Electronics Co. , Ltd.)	OEM MODEL	TBD	Size	C
Key Component	C3635-A08-000-0040-1-090612	TPV MODEL	AOC 919W++	Rev
Key Component	02 Input	PCB NAME	C3635-A08-000-0045	B
Date	Tuesday, September 22, 2009	Sheet	3 of 6	Rev
				<Rev>

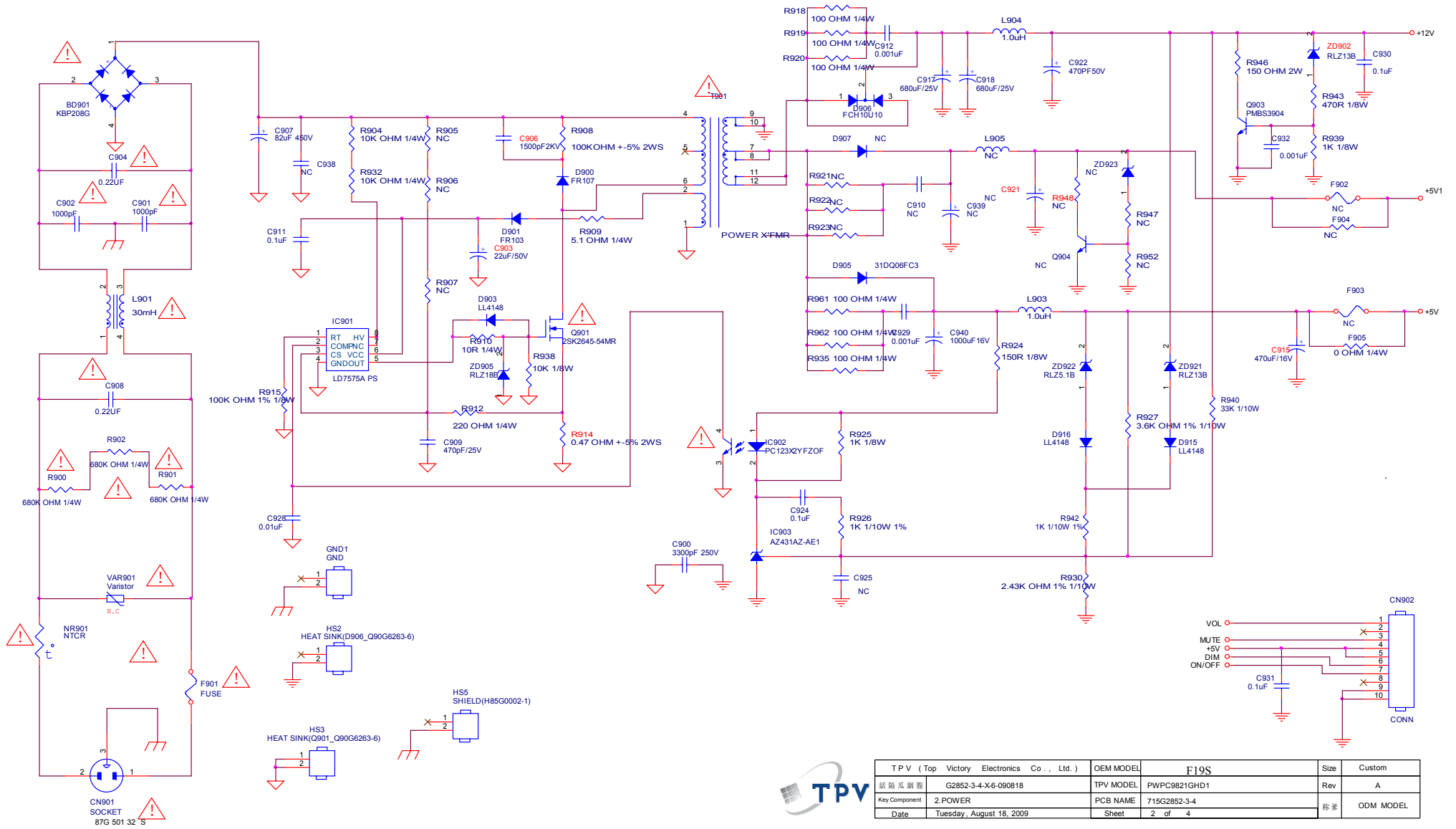


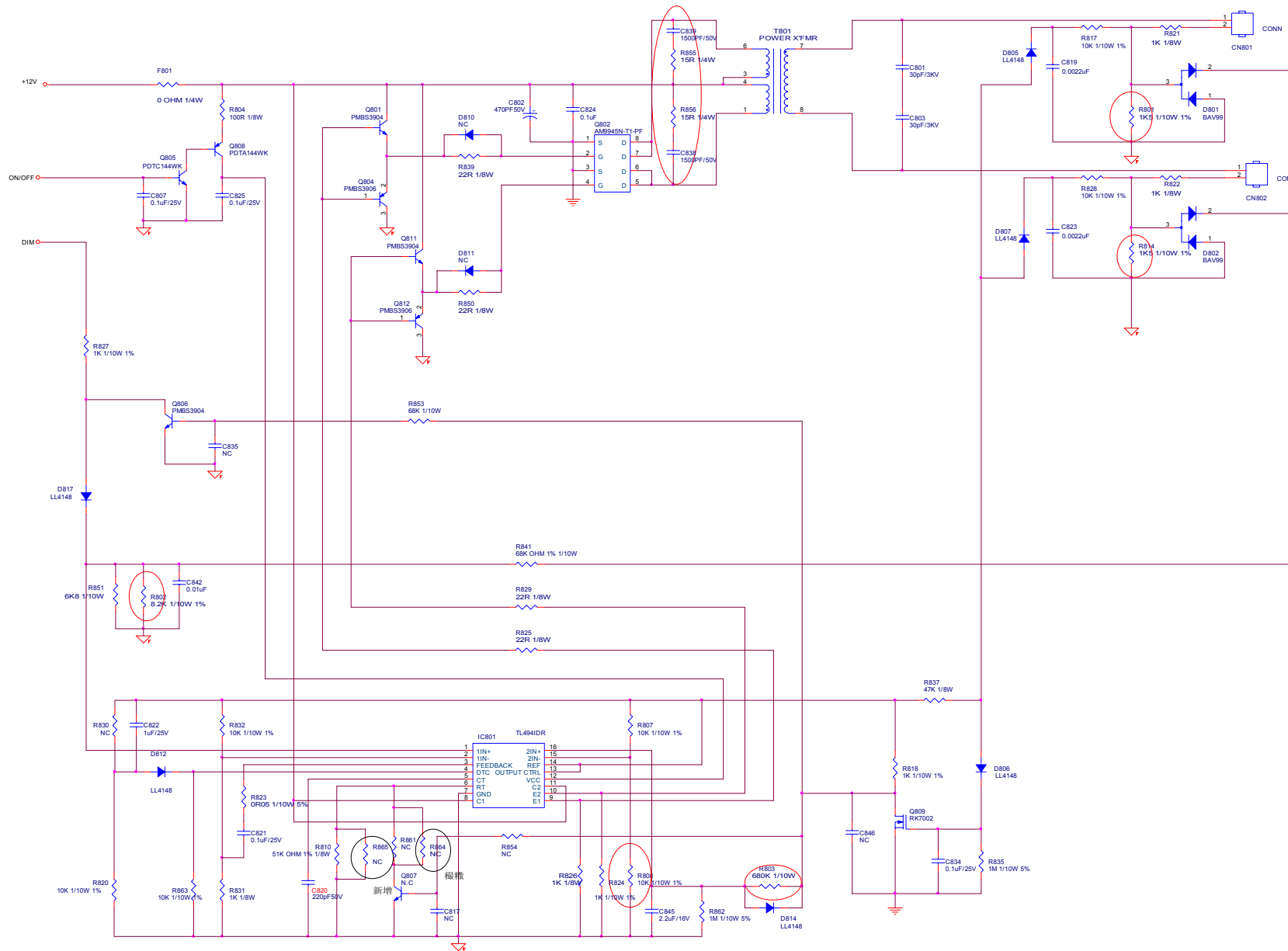
TPV (Top Victory Electronics Co., Ltd.)	OEM MODEL	TBD	Size	B
錫爾瓜網廠	G3635-MOB-000-0040-1-090612	TPV MODEL	AOC 919Wx+	Rev
Key Component	02.Input	PCB NAME	G3635-MOB-000-004S	称差
Date	Tuesday, September 22, 2009	Sheet	4 of 6	<称差>



TPV (Top Victory Electronics Co., Ltd.)	OEM MODEL	TBD	Size	A4
結隔瓜網腹	G3635-M0B-000-0040-1-090612	TPV MODEL	AOC 919Wx+	Rev
Key Component	Q2.Input	PCB NAME	G3635-M0B-000-004S	称爹
Date	Tuesday, September 22, 2009	Sheet	5 of 6	<称爹>

6.2 电源板





TPV (Top Victory Electronics Co., Ltd.)	OEM MODEL	F19S	Size	Custom
规格书来源	G2852-3-4-X6-090818	TPV MODEL	PWPC8621GHD1	Rev
Key Component	3.INVERTER	PCB NAME	715G2852-3-4	ODM MODEL
Date	Tuesday, August 18, 2009	Sheet	3 of 4	张数

7.料件清单

注意：以下料件信息仅供参考，如有变更，恕不另行通知，请到 <http://cs.tpv.com.cn> 获取最新信息。

T89AHENDW5A4NNE

点位	组件	对象描述	备注
	026G 800504 H	BARCODE	
	040G 58162435A	P/N LABEL FOR MANUAL PE BAG	
	052G 1150 C	INSULATING TAPE	
	052G 1186	SMALL TAPE	
	052G 1207 A	Conductive Tape 45mm *25mm *0.08mm (单导)	
	052G 1211 B	Conductive Tape 85mm *40mm *0.09mm (单导)	
	052G6019 1	INSULATING TAPE	
E08902	089G 715HAAE01	SIGNAL CABLE	
E08901	089G414A15N HL	POWER CORD 1.5M	
E09502	095G8014 6TE01	HARNESS 6P-6P 160MM	
E09503	095G8018 3TH55	HARNESS 30P-30P 140MM	
	0D1G1730 8120	SCREW	
	0M1G1740 12120	SCREW 42-D021241	
	705GH934056	18.5 STAND ASS'Y	
E750	750GLU185X1854N000	PANEL M185XW01 V80D SH AUO	
E750	750GLU185X1864N000	PANEL M185XW01 V80E SH AUO	2nd source
	H15G0023701	MAIN FRAME	
	H40G 18N615 8C	ID LABEL	
	H40G 58169018A	CEL-2 LABEL	
	H40G 582615 1B	CARTON LABEL	
	H40G 58261546A	BASIC SILVE LABEL	
	H41G7800615 7F	WARRANTY BOOKLIST	
	H41G780061592A	931SwI QSG BLACK	
	H44G9903615 1C	931SWI CARTON	
	H45G 77 6	PE PACKING	
	H45G 87 1 4H A	EPE COVER	
	H70G200961517C	931SwI CD MANUAL	
	J44G9903101	EPS CUSHION	
	J44G9903201	EPS CUSHION	
	KEPC9HAC	KEY BAORD	
	PWPC9821GHD1	POWER BAORD	
	Q33G0188AED 1L0100	key pad	
	Q33G0189 1 1C0100	LENS	
	Q34G0358BBM 1B0100	LOGO LOOP	
	Q34G0452AEDB2B0130	BEZEL 18.5"	

	Q34G0453ABJA6B0100	REAR COVER18.5"	
	Q34G0455AED 1B0100	STAND COVER	
	Q45G 76 28 H A	PE BAG FOR MANUAL	
	Q50G 4 10	TIE (Y1900221)	
	Q52G 1185 99	big carton tape for aoc	
	0Q1G1030 8120	SCREW	
	Q01G6022 2	SCREW	
	Q34G0360AED 1B0130	BASE	
	Q34G0454AED 1B0100	STAND	
	Q37G0101011	HINGE(AOC 831Sw)	
	756GH9CB A1095	MAIN BOARD-CBPC9HEE1H1	
SMTCR-U402	100GAHA8005W11	MCU ASS'Y-056G1133137	
CN408	033G3802 6B Y L	WAFER	
CN404	033G3802 9B Y L	CONN 2.0 9P	
CN405	033G8027 30 H	WAFER 30P 2.0MM RIGHT ANGLE	
	040G 45762412B	CBPC LABEL	
R438	061G152M33964L SY	RST MOFR 3.3 OHM +-5% 2WS SHANG YU	
CN101	088G 35315F HD	D-SUB CONN F ATTACHED SCREW	
X401	093G 2270B H	XAT024576FK1H-3OHX AT-49 24.576MHZ	
CN001	033G3802 6H L	CONNECTOR 6PIN	
SW005	077G 602 1A CJ	TACT SWITCH	
SW004	077G 602 1A CJ	TACT SWITCH	
SW003	077G 602 1A CJ	TACT SWITCH	
SW002	077G 602 1A CJ	TACT SWITCH	
SW001	077G 602 1A CJ	TACT SWITCH	
LED001	081G 122CT GH	Φ3 黄蓝双色弯脚型 LED	
CN802	033G8021 2E F	WAFER	
CN801	033G8021 2E F	WAFER	
	040G 45762412B	CBPC LABEL	
IC902	056G 139 3A	IC PC123Y22FZ0F	
NR901	061G 58080 WT	8 OHM NCT	
C908	063G107K224 UM	X2 CAP 0.22uF K 275VAC	
C904	063G107K224 UM	X2 CAP 0.22uF K 275VAC	
C801	065G 3J3006ET	30PF 5% SL 3KV TDK	
C803	065G 3J3006ET	30PF 5% SL 3KV TDK	
C901	065G305M1022BP	Y2 1000PF M 250VAC Y5P	
C902	065G305M1022BP	Y2 1000PF M 250VAC Y5P	
C900	065G306M3322BP	3300PF 20%	
C907	067G 40Z82015K	EC 82uF M 450V 18*35mm	
C802	067G215D4714KV	E.C 105°C CAP 470UF M 25V ED SERIES	

C940	067G215P1023XV	CAP 105°C 1000UF M 16V	
C922	067G215P4714AV	CAP 105°C 470UF M 25V	
C918	067G215P6814XV	CAP 105C 680UF M 25V	
C917	067G215P6814XV	CAP 105C 680UF M 25V	
C915	067G215S4713KV	EC 105°C CAP 470UF M 16V	
L904	073G 253 91 V1	CHOKE COIL 1.1uH	
L903	073G 253 91 V1	CHOKE COIL 1.1uH	
L901	073L 174 40 HG	GBQM4.778.391	
CN901	087G 501 32 S	AC SOCKET	
D905	093G 60519	DIODE SR560 5A/60V DO-27 SECOS	
CN902	095G 82510TE12	HARNESS 10P-9P 120MM	
	705GQ857020	Q901 ASS'Y	
	705GQ893028	D906 ASS'Y	
	PW9821MHD3SMT	POWER BOARD FOR SMT	
T801	S80GL17T40V	Transformer	
T901	S80GL19T26V	Transformer ASS'Y	
R908	061G152M10452T	RST MOFR 100KOHM +-5% 2WS	
BD901	093G 50460 28	BRIDGE DIODE KBP208G LITEON	
C428	067G 3051013PB	EC 105°C 100uF M 16V 5*11mm	
C429	067G 3051013PB	EC 105°C 100uF M 16V 5*11mm	
C434	067G 3051013PB	EC 105°C 100uF M 16V 5*11mm	
C305	067G 3151014KB	EC 100uF M 25V 6.3*11	
U401	056G 562596	IC HX6810-A05MLAG 1680*1050 LQFP-64	
U405	056G 56327A	IC AP1117E18LA SOT223-3L ANACHIP	
U404	056G 585 4A	IC AP1117E33L-13	
U102	056G 662502	IC ESD AZC199-04S SOT23-6L	
U103	056G 662502	IC ESD AZC199-04S SOT23-6L	
U406	056G1133 32	IC M24C04-WMN6TP SO8	
U101	056G1133 34	M24C02-WMN6TP	
U402	056G1133137	IC MX25L2026MI-12G SOP-8	
Q406	057G 417 12 T	KEC 2N3904S-RTK/PS	
Q402	057G 417517	Tra LMBT3906LT1G -200mA/-40V SOT-23 LRC	
Q404	057G 417517	Tra LMBT3906LT1G -200mA/-40V SOT-23 LRC	
Q422	057G 417517	Tra LMBT3906LT1G -200mA/-40V SOT-23 LRC	
Q101	057G 417518	TRA LMBT3904LT1G 200mA/40V SOT-23 LRC	
Q405	057G 763 1	A03401 SOT23 BY AOS(A1)	
R497	061G0402000	RST CHIP MAX 0R05 1/16W	
R491	061G0402000	RST CHIP MAX 0R05 1/16W	
R476	061G0402000	RST CHIP MAX 0R05 1/16W	
R446	061G0402000	RST CHIP MAX 0R05 1/16W	

R441	061G0402000	RST CHIP MAX 0R05 1/16W	
R436	061G0402000	RST CHIP MAX 0R05 1/16W	
R429	061G0402000	RST CHIP MAX 0R05 1/16W	
R111	061G0402000	RST CHIP MAX 0R05 1/16W	
R109	061G0402000	RST CHIP MAX 0R05 1/16W	
R489	061G0402101	RST CHIPR 100 OHM +-5% 1/16W	
R477	061G0402101	RST CHIPR 100 OHM +-5% 1/16W	
R120	061G0402101	RST CHIPR 100 OHM +-5% 1/16W	
R119	061G0402101	RST CHIPR 100 OHM +-5% 1/16W	
R118	061G0402101	RST CHIPR 100 OHM +-5% 1/16W	
R117	061G0402101	RST CHIPR 100 OHM +-5% 1/16W	
R115	061G0402101	RST CHIPR 100 OHM +-5% 1/16W	
R114	061G0402101	RST CHIPR 100 OHM +-5% 1/16W	
R113	061G0402101	RST CHIPR 100 OHM +-5% 1/16W	
R110	061G0402101	RST CHIPR 100 OHM +-5% 1/16W	
R496	061G0402101 JY	RST CHIPR 100 OHM +-5% 1/16W YAGEO	
R495	061G0402101 JY	RST CHIPR 100 OHM +-5% 1/16W YAGEO	
R127	061G0402102	RST CHIPR 1 KOHM +-5% 1/16W	
R104	061G0402102	RST CHIPR 1 KOHM +-5% 1/16W	
R106	061G0402102	RST CHIPR 1 KOHM +-5% 1/16W	
R304	061G0402102 JY	RST CHIPR 1KOHM +-5% 1/16W YAGEO	
R492	061G0402103	RST CHIPR 10 KOHM +-5% 1/16W	
R488	061G0402103	RST CHIPR 10 KOHM +-5% 1/16W	
R487	061G0402103	RST CHIPR 10 KOHM +-5% 1/16W	
R482	061G0402103	RST CHIPR 10 KOHM +-5% 1/16W	
R475	061G0402103	RST CHIPR 10 KOHM +-5% 1/16W	
R448	061G0402103	RST CHIPR 10 KOHM +-5% 1/16W	
R439	061G0402103	RST CHIPR 10 KOHM +-5% 1/16W	
R437	061G0402103	RST CHIPR 10 KOHM +-5% 1/16W	
R410	061G0402103	RST CHIPR 10 KOHM +-5% 1/16W	
R305	061G0402103	RST CHIPR 10 KOHM +-5% 1/16W	
R465	061G0402103 JY	RST CHIPR 10KOHM +-5% 1/16W YAGEO	
R473	061G0402103 JY	RST CHIPR 10KOHM +-5% 1/16W YAGEO	
R472	061G0402103 JY	RST CHIPR 10KOHM +-5% 1/16W YAGEO	
R471	061G0402103 JY	RST CHIPR 10KOHM +-5% 1/16W YAGEO	
R484	061G0402105	RST CHIPR 1MOHM +-5% 1/16W	
R402	061G0402162	RST CHIP 1K6 1/16W 5%	
R467	061G0402203 JY	RST CHIPR 20KOHM +-5% 1/16W YAGEO	
R107	061G0402222	RST CHIPR 2.2 KOHM +-5% 1/16W	
R108	061G0402222	RST CHIPR 2.2 KOHM +-5% 1/16W	

R406	061G0402222 JY	RST CHIPR 2.2KOHM +-5% 1/16W YAGEO	
R405	061G0402222 JY	RST CHIPR 2.2KOHM +-5% 1/16W YAGEO	
R121	061G0402390 0F	RST CHIP 390R 1/16W 1%	
R427	061G0402392	RST CHIP 3.9K 1/16W 5%	
R428	061G0402392	RST CHIP 3.9K 1/16W 5%	
R440	061G0402472	RST CHIPR 4.7 KOHM +-5% 1/16W	
R416	061G0402472	RST CHIPR 4.7 KOHM +-5% 1/16W	
R415	061G0402472	RST CHIPR 4.7 KOHM +-5% 1/16W	
R411	061G0402472	RST CHIPR 4.7 KOHM +-5% 1/16W	
R401	061G0402472	RST CHIPR 4.7 KOHM +-5% 1/16W	
R308	061G0402472	RST CHIPR 4.7 KOHM +-5% 1/16W	
R126	061G0402472	RST CHIPR 4.7 KOHM +-5% 1/16W	
R125	061G0402472	RST CHIPR 4.7 KOHM +-5% 1/16W	
R124	061G0402472	RST CHIPR 4.7 KOHM +-5% 1/16W	
R123	061G0402472	RST CHIPR 4.7 KOHM +-5% 1/16W	
R306	061G0402563 JY	RST CHIPR 56KOHM 1/16W YAGEO	
R112	061G0402750	RST CHIPR 75 OHM +-5% 1/16W	
R116	061G0402750	RST CHIPR 75 OHM +-5% 1/16W	
R122	061G0402750	RST CHIPR 75 OHM +-5% 1/16W	
R105	061G0603000	RST CHIP MAX 0R05 1/10W	
R462	061G0603301	RST CHIPR 300 OHM +-5% 1/10W	
R499	061G0603331	RST CHIP 330R 1/10W 5%	
R435	061G1206331	RST CHIPR 330 OHM +-5% 1/4W	
C106	065G0402102 32	1000PF +-10% 50V X7R	
C457	065G040210232K A	CAP 0402 1NF K 50V X7R	
C455	065G0402103 32	0.01uF +-10% 16V X7R	
C435	065G040210412K A	CAP CHIP 0402 100nF K 16V X7R	
C436	065G040210412K A	CAP CHIP 0402 100nF K 16V X7R	
C442	065G040210412K A	CAP CHIP 0402 100nF K 16V X7R	
C443	065G040210412K A	CAP CHIP 0402 100nF K 16V X7R	
C444	065G040210412K A	CAP CHIP 0402 100nF K 16V X7R	
C450	065G040210412K A	CAP CHIP 0402 100nF K 16V X7R	
C453	065G040210412K A	CAP CHIP 0402 100nF K 16V X7R	
C454	065G040210412K A	CAP CHIP 0402 100nF K 16V X7R	
C432	065G040210412K A	CAP CHIP 0402 100nF K 16V X7R	
C431	065G040210412K A	CAP CHIP 0402 100nF K 16V X7R	
C430	065G040210412K A	CAP CHIP 0402 100nF K 16V X7R	
C425	065G040210412K A	CAP CHIP 0402 100nF K 16V X7R	
C417	065G040210412K A	CAP CHIP 0402 100nF K 16V X7R	
C416	065G040210412K A	CAP CHIP 0402 100nF K 16V X7R	

C415	065G040210412K A	CAP CHIP 0402 100nF K 16V X7R	
C414	065G040210412K A	CAP CHIP 0402 100nF K 16V X7R	
C413	065G040210412K A	CAP CHIP 0402 100nF K 16V X7R	
C103	065G0402220 31	CHIP 22PF 50V NPO	
C102	065G0402220 31	CHIP 22PF 50V NPO	
C302	065G0402224 17	CAP CER 0.22UF -20%-80%	
C458	065G0402224 17	CAP CER 0.22UF -20%-80%	
C459	065G0402224 17	CAP CER 0.22UF -20%-80%	
C451	065G0402330 31	CHIP CAP 0402 33pF J 50V NPO	
C452	065G0402330 31	CHIP CAP 0402 33pF J 50V NPO	
C113	065G0402473 12	CHIP 0.047uF 16V X7R	
C110	065G0402473 12	CHIP 0.047uF 16V X7R	
C109	065G0402473 12	CHIP 0.047uF 16V X7R	
C107	065G0402473 12	CHIP 0.047uF 16V X7R	
C105	065G0402473 12	CHIP 0.047uF 16V X7R	
C101	065G0402473 12	CHIP 0.047uF 16V X7R	
C456	065G0805105 22	CAP CHIP 0805 1uF K 25V X7R	
C426	065G0805106A5K T	CHIP 10uF 10V X5R 0805	
C441	065G0805106A5K T	CHIP 10uF 10V X5R 0805	
FB402	071G 56K121 M	CHIP BEAD	
FB407	071G 56V301 B	CHIP BEAD FCM2012VF-301T07 bullwill	
FB406	071G 59G301	CHIP BEAD 300OHM	
FB408	071G 59G301	CHIP BEAD 300OHM	
FB405	071G 59G301	CHIP BEAD 300OHM	
FB101	071G 59K190 B	19 OHM BEAD	
FB102	071G 59K190 B	19 OHM BEAD	
FB103	071G 59K190 B	19 OHM BEAD	
D101	093G 64 42 PP	BAV70 SOT-23	
ZD104	093G 39GA01 T	RLZ5.6B	
	715G3635M01000004F	MAIN BOARD PCB	
R003	061G0603000	RST CHIP MAX 0R05 1/10W	
R005	061G0603102	RST CHIPR 1K OHM +-5% 1/10W	
R002	061G0603202	RST CHIPR 2 KOHM +-5% 1/10W	
R004	061G0603202	RST CHIPR 2 KOHM +-5% 1/10W	
J001	061G1206000	RST CHIP MAX 0R05 1/4W	
J002	061G1206000	RST CHIP MAX 0R05 1/4W	
	715G2991 2	KEY BOARD PCB	
Q901	057G 667 51	FET 2SK4101LS 7A/650V TO-220FI(LS)	
	0M1G 930 8120	SCREW	
HS3	Q90G6263 6	HEAT SINK	

D906	093G 60267	SP10100	
	0M1G 930 8120	SCREW	
HS2	Q90G6263 6	HEAT SINK	
IC801	056G 379 22	IC TL494IDR SOIC-16	
IC901	056G 379107	IC LD7575A PS SOP-8	
Q804	057G 417517	Tra LMBT3906LT1G -200mA/-40V SOT-23 LRC	
Q812	057G 417517	Tra LMBT3906LT1G -200mA/-40V SOT-23 LRC	
Q801	057G 417518	TRA LMBT3904LT1G 200mA/40V SOT-23 LRC	
Q806	057G 417518	TRA LMBT3904LT1G 200mA/40V SOT-23 LRC	
Q807	057G 417518	TRA LMBT3904LT1G 200mA/40V SOT-23 LRC	
Q811	057G 417518	TRA LMBT3904LT1G 200mA/40V SOT-23 LRC	
Q903	057G 417518	TRA LMBT3904LT1G 200mA/40V SOT-23 LRC	
Q809	057G 759 2	RK7002FD5T116 SOT-23 BY ROHM	
Q808	057G 760 4A	DTA144WN3/S SOT-23	
Q805	057G 760 5A	DTC 144WN3/S SOT-23	
Q802	057G 763 6	AO4828 SOIC-8 BY AOS	
R823	061G0603000	RST CHIP MAX 0R05 1/10W	
R942	061G0603100 1F	RST CHIPR 1 KOHM +-1% 1/10W	
R926	061G0603100 1F	RST CHIPR 1 KOHM +-1% 1/10W	
R827	061G0603100 1F	RST CHIPR 1 KOHM +-1% 1/10W	
R824	061G0603100 1F	RST CHIPR 1 KOHM +-1% 1/10W	
R818	061G0603100 1F	RST CHIPR 1 KOHM +-1% 1/10W	
R863	061G0603100 2F	RST CHIPR 10K OHM +-1% 1/10W	
R832	061G0603100 2F	RST CHIPR 10K OHM +-1% 1/10W	
R828	061G0603100 2F	RST CHIPR 10K OHM +-1% 1/10W	
R820	061G0603100 2F	RST CHIPR 10K OHM +-1% 1/10W	
R817	061G0603100 2F	RST CHIPR 10K OHM +-1% 1/10W	
R808	061G0603100 2F	RST CHIPR 10K OHM +-1% 1/10W	
R807	061G0603100 2F	RST CHIPR 10K OHM +-1% 1/10W	
R862	061G0603105	RST CHIPR 1M OHM +-5% 1/10W	
R801	061G0603150 1F	RST CHIPR 1.5 KOHM +-1% 1/10W	
R814	061G0603150 1F	RST CHIPR 1.5 KOHM +-1% 1/10W	
R930	061G0603243 1F	RST CHIPR 2.43K OHM +-1% 1/10W	
R940	061G0603330 2F	RST CHIPR 33K OHM +-1% 1/10W	
R927	061G0603360 1F	RST CHIPR 3.6K OHM +-1% 1/10W	
R861	061G06034753FF	RST CHIPR 475KOHM +-1% 1/10W FENGHUA	
R851	061G0603680 1F	RST CHIPR 6.8 KOHM +-1% 1/10W	
R841	061G0603680 2F	RST CHIPR 68K OHM +-1% 1/10W	
R853	061G0603683	RST CHIPR 68K OHM +-5% 1/10W	
R854	061G0603683	RST CHIPR 68K OHM +-5% 1/10W	

R803	061G0603684	RST CHIPR 680 KOHM +-5% 1/10W	
R802	061G0603820 1F	RST CHIPR 8.2 KOHM +-1% 1/10W	
JR902	061G0805000	RST CHIP MAX 0R05 1/8W	
R822	061G0805100 1F	RST CHIPR 1K OHM +-1% 1/8W	
R821	061G0805100 1F	RST CHIPR 1K OHM +-1% 1/8W	
R831	061G0805100 1F	RST CHIPR 1K OHM +-1% 1/8W	
R915	061G0805100 3F	RST CHIPR 100KOHM +-1% 1/8W	
R804	061G0805101	1ST CHIPR 100 OHM +-5% 1/8W	
R939	061G0805102	RST CHIPR 1K OHM +-5% 1/8W	
R826	061G0805102	RST CHIPR 1K OHM +-5% 1/8W	
R925	061G0805102	RST CHIPR 1K OHM +-5% 1/8W	
R938	061G0805103	RST CHIPR 10K OHM +-5% 1/8W	
R924	061G0805151	RST CHIPR 150 OHM +-5% 1/8W	
R850	061G0805220	RST CHIPR 22 OHM +-5% 1/8W	
R839	061G0805220	RST CHIPR 22 OHM +-5% 1/8W	
R829	061G0805220	RST CHIPR 22 OHM +-5% 1/8W	
R825	061G0805220	RST CHIPR 22 OHM +-5% 1/8W	
R943	061G0805471	RST CHIPR 470 OHM +-5% 1/8W	
R837	061G0805473	RST CHIPR 47K OHM +-5% 1/8W	
R810	061G0805510 2F	RST CHIPR 51K OHM +-1% 1/8W	
JR801	061G1206000	RST CHIP MAX 0R05 1/4W	
F801	061G1206000 4	RST CHIP MAX 0R05 1/4W	
F905	061G1206000 4	RST CHIP MAX 0R05 1/4W	
R910	061G1206100	RST CHIPR 10 OHM +-5% 1/4W	
R918	061G1206101	RST CHIPR 100 OHM +-5% 1/4W	
R919	061G1206101	RST CHIPR 100 OHM +-5% 1/4W	
R920	061G1206101	RST CHIPR 100 OHM +-5% 1/4W	
R935	061G1206101	RST CHIPR 100 OHM +-5% 1/4W	
R961	061G1206101	RST CHIPR 100 OHM +-5% 1/4W	
R962	061G1206101	RST CHIPR 100 OHM +-5% 1/4W	
R904	061G1206103	RST CHIPR 10K OHM +-5% 1/4W	
R932	061G1206103	RST CHIPR 10K OHM +-5% 1/4W	
R856	061G1206150	RST CHIPR 15 OHM +-5% 1/4W	
R855	061G1206150	RST CHIPR 15 OHM +-5% 1/4W	
R912	061G1206221	RST CHIPR 220 OHM +-5% 1/4W	
R909	061G1206519	RST CHIPR 5.1 OHM +-5% 1/4W	
R900	061G1206684	RST CHIPR 680K OHM +-5% 1/4W	
R901	061G1206684	RST CHIPR 680K OHM +-5% 1/4W	
R902	061G1206684	RST CHIPR 680K OHM +-5% 1/4W	
C932	065G0603102 32	1000PF +-10% 50V X7R	

C842	065G0603103 32	CAP CHIP 0603 0.01UF K 50V X7R	
C834	065G0603103 32	CAP CHIP 0603 0.01UF K 50V X7R	
C825	065G0603104 22	CAP CHIP 0603 0.1UF K 25V X7R	
C821	065G0603104 22	CAP CHIP 0603 0.1UF K 25V X7R	
C807	065G0603104 22	CAP CHIP 0603 0.1UF K 25V X7R	
C823	065G0603222 32	CHIP 2200PF 50V X7R	
C819	065G0603222 32	CHIP 2200PF 50V X7R	
C928	065G0805103 32	CAP CHIP 0805 10NF K 50V X7R	
C824	065G0805104 32	CAP CHIP 0805 0.1uF K 50V X7R	
C911	065G0805104 32	CAP CHIP 0805 0.1uF K 50V X7R	
C924	065G0805104 32	CAP CHIP 0805 0.1uF K 50V X7R	
C930	065G0805104 32	CAP CHIP 0805 0.1uF K 50V X7R	
C931	065G0805104 32	CAP CHIP 0805 0.1uF K 50V X7R	
C822	065G080510522K 3	CAP CHIP 0805 1U 25V X7R +/-10%	
C838	065G0805152 31	1.5nF/50V	
C839	065G0805152 31	1.5nF/50V	
C820	065G080522131G	CAP CHIP 0805 220PF G 50V NPO	
C845	065G080522512K 3	CAP CHIP 0805 2U2 16V X7R +/-10%	
C909	065G0805471 31	CHIP 470PF 50V NPO	
C929	065G1206102 72	CAP CHIP 1206 1000PF K 500V X7R	
C912	065G1206102 72	CAP CHIP 1206 1000PF K 500V X7R	
D802	093G 6433L	DIODE LBAV99LT1G SOT-23 LRC	
D801	093G 6433L	DIODE LBAV99LT1G SOT-23 LRC	
ZD922	093G 39GA26 T	ZENER DIODE RLZ5.1B SEMTECH	
ZD921	093G 39GA28 T	ZENER DIODE RLZ13B SEMTECH	
ZD902	093G 39GA28 T	ZENER DIODE RLZ13B SEMTECH	
ZD905	093G 39GA31 T	ZENER DIODE RLZ18B SEMTECH	
D812	093G 64S522SEM	LL4148	
D805	093G 64S522SEM	LL4148	
D806	093G 64S522SEM	LL4148	
D807	093G 64S522SEM	LL4148	
D916	093G 64S522SEM	LL4148	
D814	093G 64S522SEM	LL4148	
D817	093G 64S522SEM	LL4148	
D903	093G 64S522SEM	LL4148	
D915	093G 64S522SEM	LL4148	
	709G2852 HS001	CONSUMPTIVE ASS'Y	
	PW8521VYD2AI	POWER BOARD FOR AI	
	052G 2191 A	PAPER TAPE	
CN901	006G 31500	EYELET	

IC903	056G 158 10 T	IC AS431AZTR-E1 TO-92	
R946	061G152M15152T	RST MOFR 150 OHM +-5% 2WS	
R914	061G152M47852T	RST MOFR 0.47 OHM +-5% 2WS	
C906	065G 2K152 2T6921	CAP CER 1500pF K 2KV Y5P	
C903	067G 2152207NT	KY50VB22M-TP5 5*11	
F901	084G 56 3 B	FUSE 3.15A 250V	
D900	093G 6026T52T	RECTIFIER DIODE FR107	
D901	093G 6038T52T	FR103	
J903	095G 90 23 C	JUMP WIRE	
J901	095G 90 23 C	JUMP WIRE	
J813	095G 90 23 C	JUMP WIRE	
J812	095G 90 23 C	JUMP WIRE	
J811	095G 90 23 C	JUMP WIRE	
J809	095G 90 23 C	JUMP WIRE	
J807	095G 90 23 C	JUMP WIRE	
J806	095G 90 23 C	JUMP WIRE	
J805	095G 90 23 C	JUMP WIRE	
J904	095G 90 23 C	JUMP WIRE	
J906	095G 90 23 C	JUMP WIRE	
J907	095G 90 23 C	JUMP WIRE	
J908	095G 90 23 C	JUMP WIRE	
J909	095G 90 23 C	JUMP WIRE	
J910	095G 90 23 C	JUMP WIRE	
J911	095G 90 23 C	JUMP WIRE	
J912	095G 90 23 C	JUMP WIRE	
J914	095G 90 23 C	JUMP WIRE	
J804	095G 90 23 C	JUMP WIRE	
J803	095G 90 23 C	JUMP WIRE	
J802	095G 90 23 C	JUMP WIRE	
J801	095G 90 23 C	JUMP WIRE	
	709G2852 HA001	CONSUMPTIVE ASS'Y	
	715G2852 3 4	POWER BOARD PCB	
	095G 90 23	JUMPER WIRE	