

U001
GP1U721Q

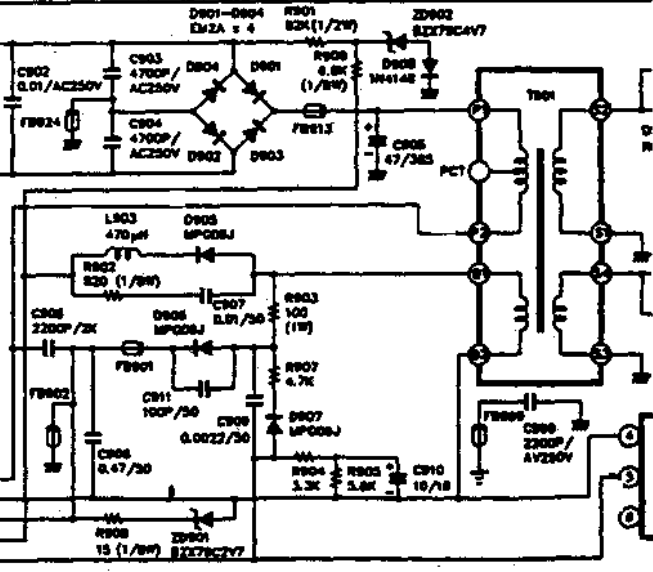
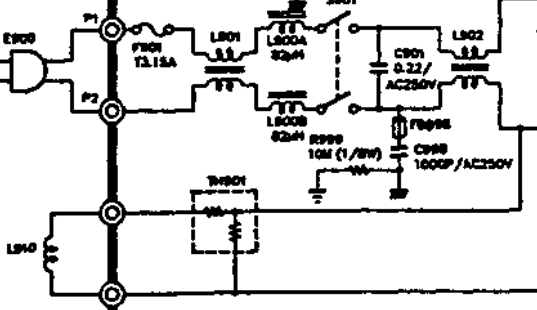
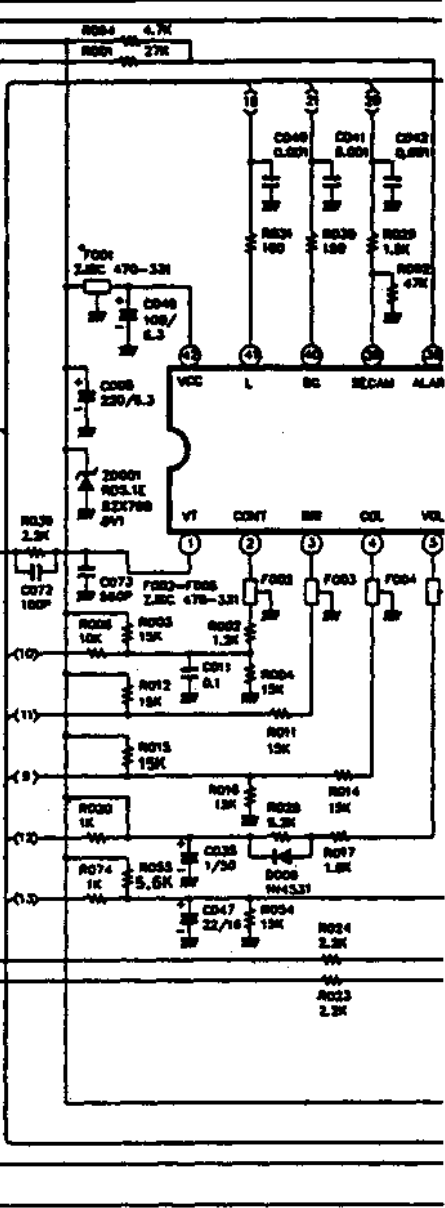
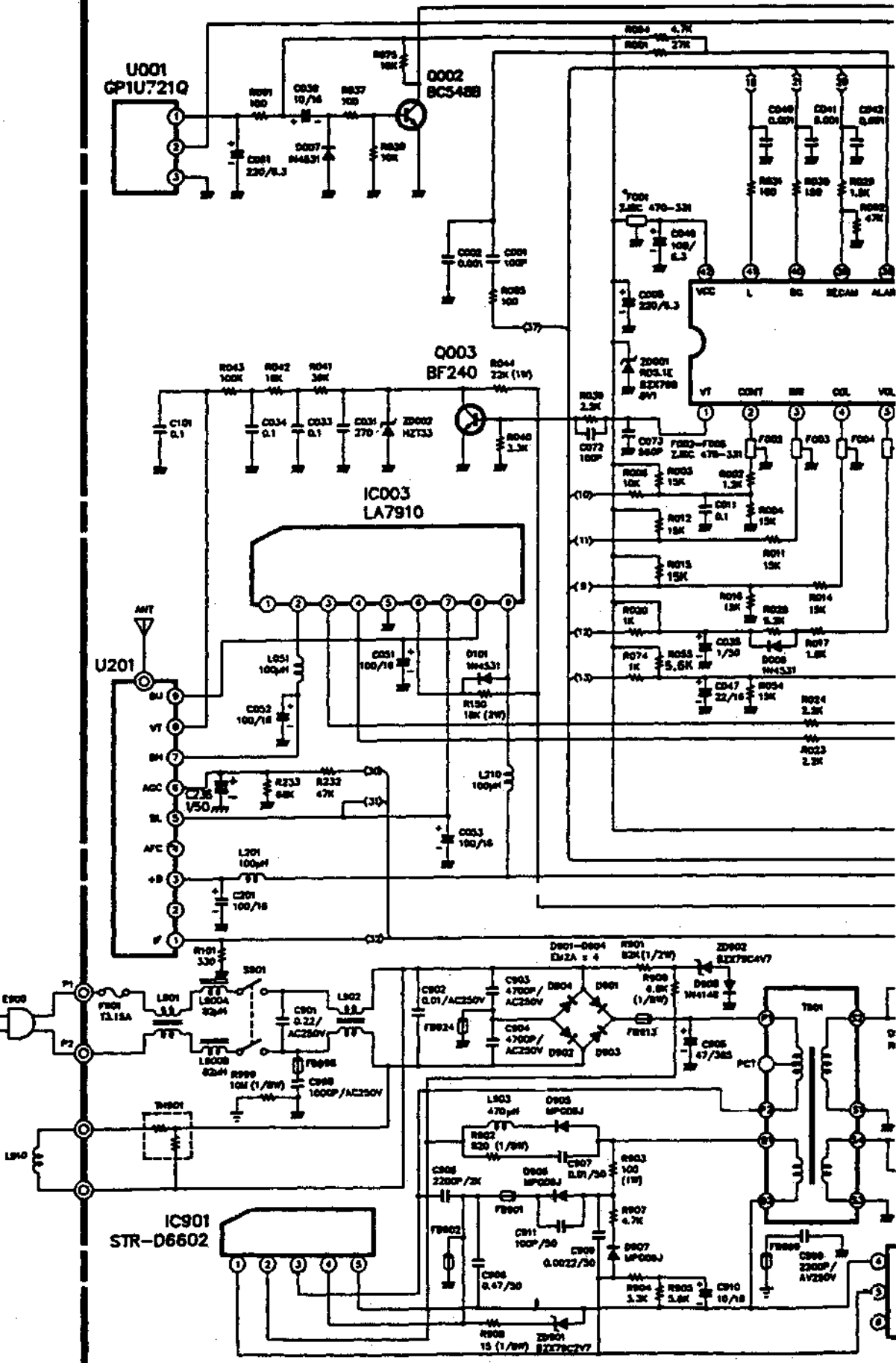
O002
BCS48B

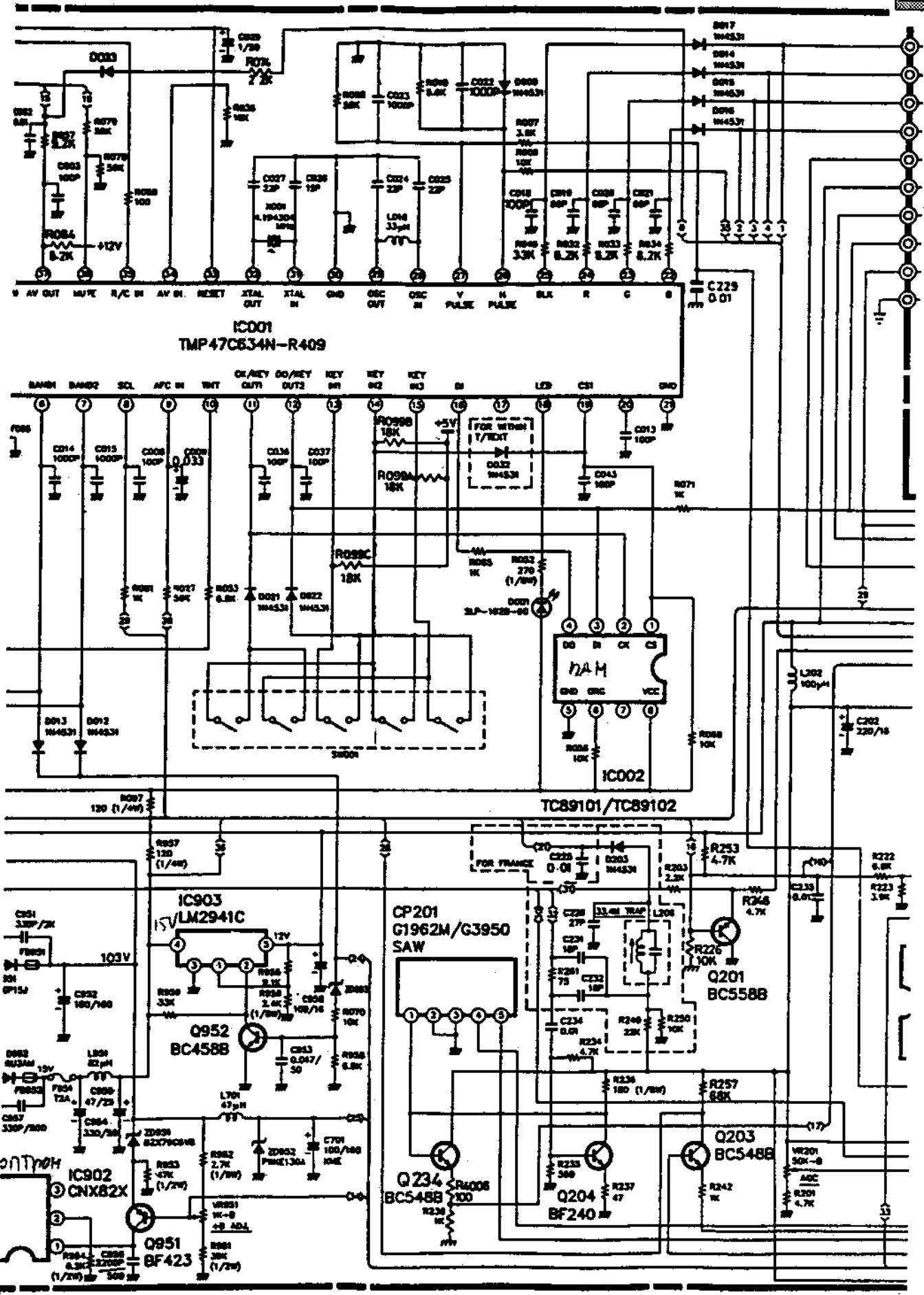
O003
BF240

IC003
LA7910

U201

IC901
STR-D6602





FROM V/TEXT

- ADD3
- V/T-DATA
- V/T-CLOCK
- V/T-CEN
- REQD-IN
- SYNC-OUT
- VCC
- A-OUT
- G-OUT
- H-OUT
- BLA

