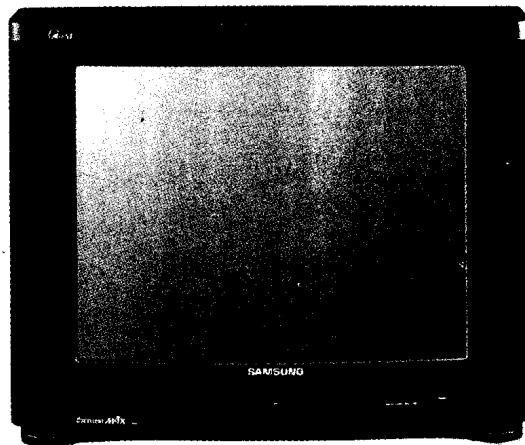


# SERVICE MANUAL

**MODEL : CX6226W/EUROX**  
**CHASSIS : S60MT & RM113**

## COLOUR TELEVISION RECEIVER



**RTV servis Horvat**

Kešinci, 31402 Semeljci

031-856-139

031-856-637

098-788-319

[rtv-servis-horvat@os.tel.hr](mailto:rtv-servis-horvat@os.tel.hr)

Croatia

### SPECIFICATIONS

Television System :

PAL/SECAM - B/G, REMOTE CONTROL SYSTEM

Receiving Channel :

System Band	PAL SECAM B/G
VHF	2 - 12
UHF	21 - 69

Intermediate Frequency :

System I-F Carrier Frequency	PAL SECAM B/G
Picture I-F Carrier	38.90
Sound I-F Carrier	33.40
Colour Sub Carrier	34.47

(Units:MHz)

Picture Tube :

25" A59KHQ193X01(K) diagonal measured, Quick-start, In-line-gun, Black stripe, 90° degrees deflection

Power Requirements :

AC 220 V , 50 Hz , 125 WATT

Antenna Input Impedance :

VHF,UHF : 75 Ohm Unbalanced type

Speaker :

Impedance : 8 Ohm , 10W

Features :

Voltage synthesized tuning System, On-screen Display, Auto-fine Tuning, Dark Tube, Auto Brightness Control, 51-Key Transmitter.

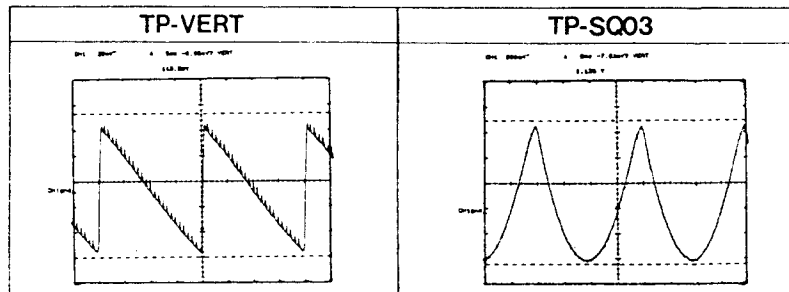
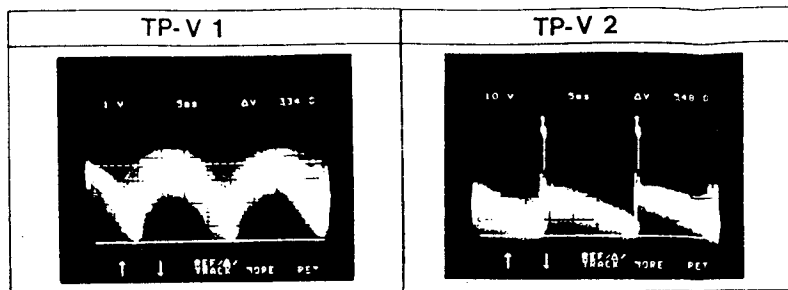
#### SAFETY CAUTION :

Before servicing this chassis, it is important that a service technician reads and follows the "Safety Precaution" and "Product Safety Notice" in this Service Manual.

\* For continued X-radiation, replace the picture tube with original type.

\* Design and specifications are subject to change without prior notice.

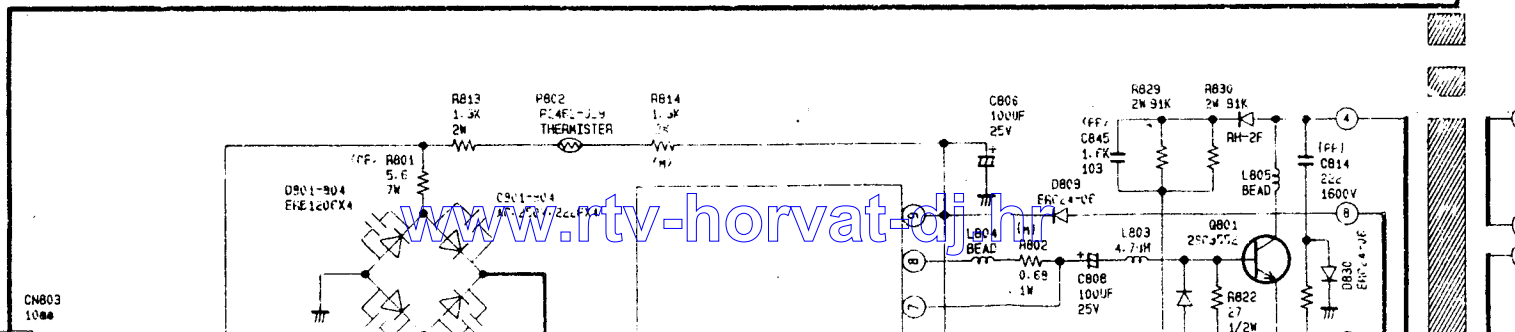
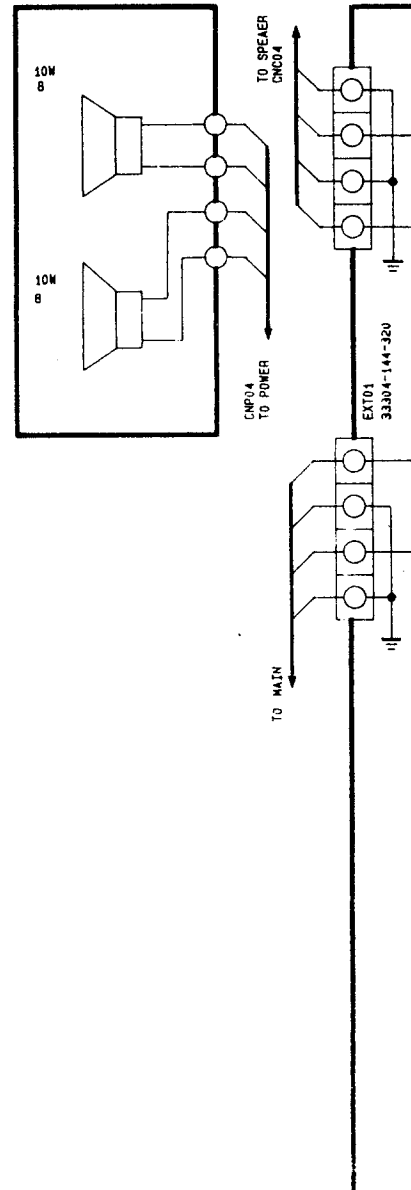
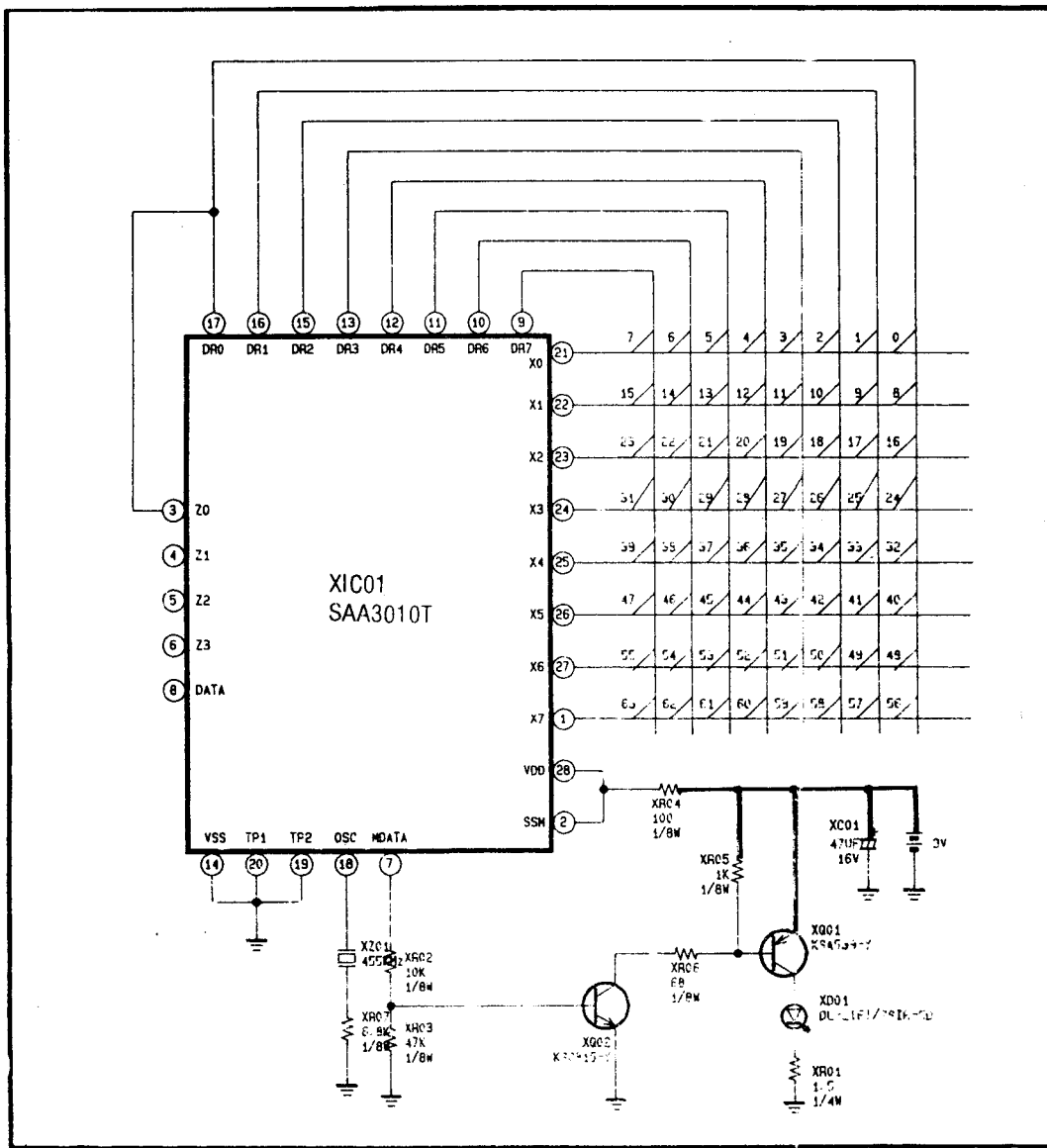
\* WARNING-SHOCK HAZARDS - Use an isolation transformer when servicing.



\* MARK OPTION

LOCATION	TOSHIBA CRT
R302	1/2W 330
R305	1/8W 47K
R308	1/8W 3K
R312	JUMPER
R309	1/2W 2
R320	1/2W 0.68
R321	1/4W 510
R411	1/2W 110K-F
L405	62MH
R311	130K

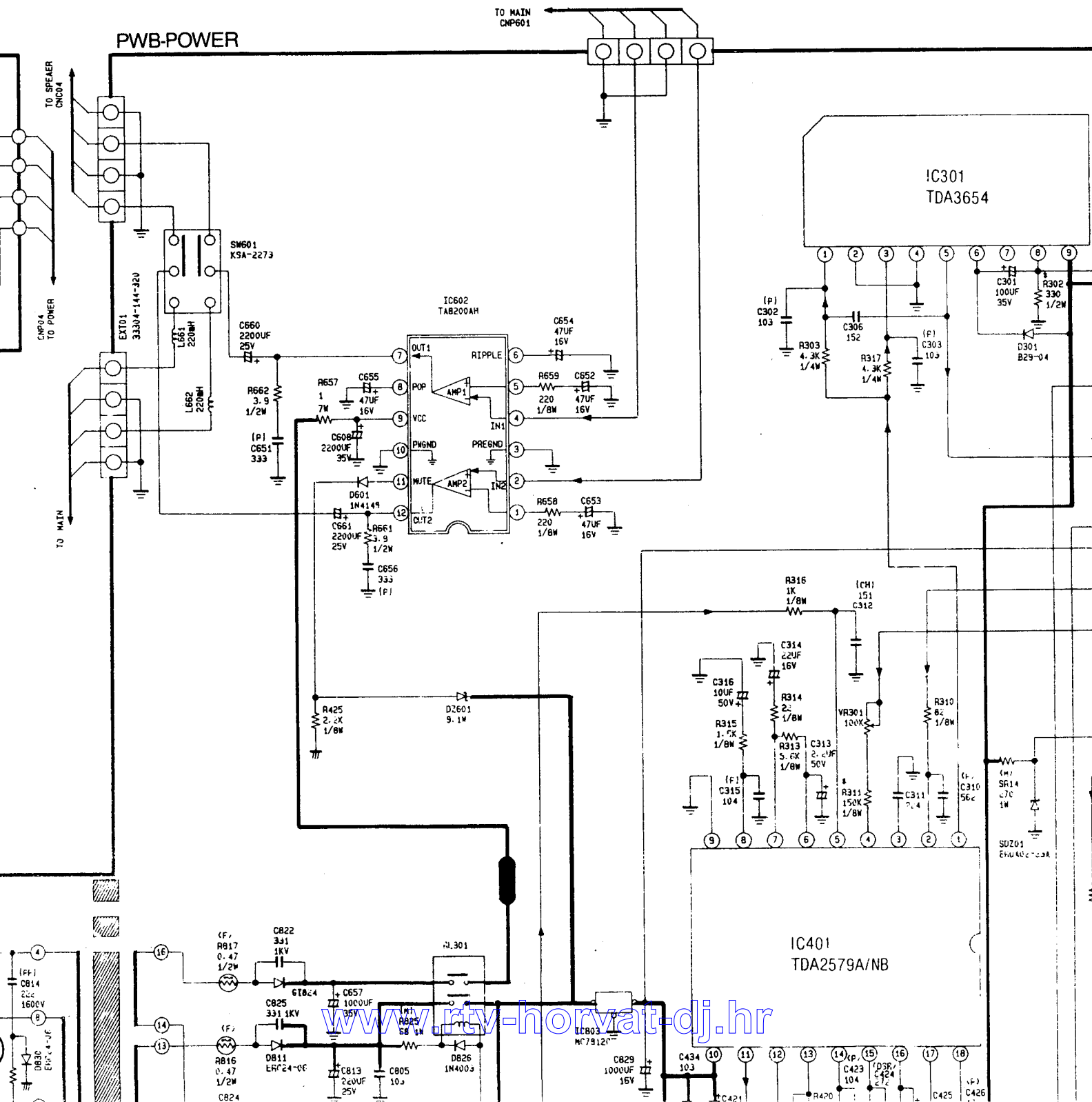
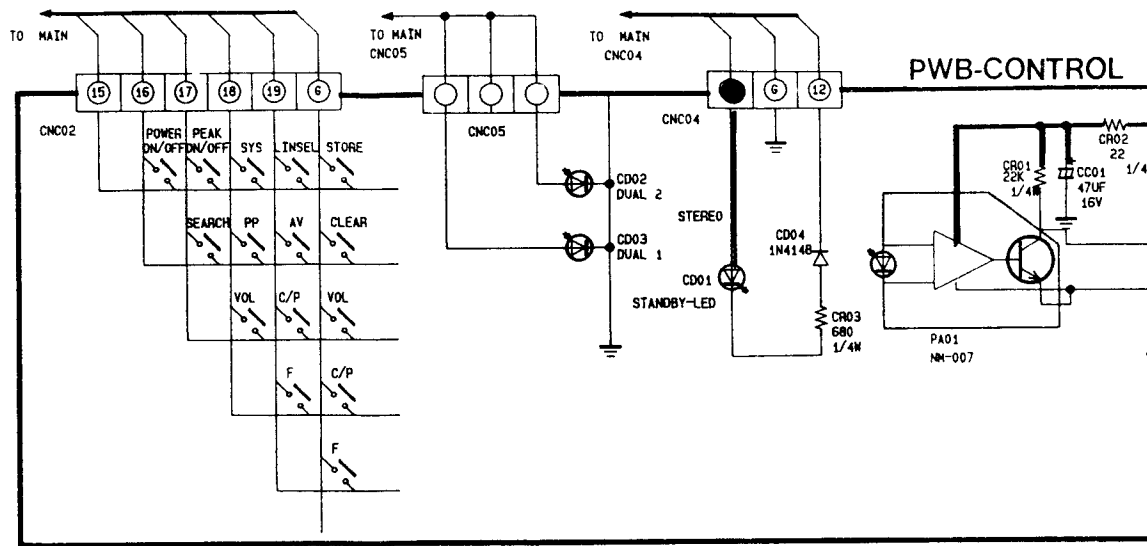
PWB-TRANSMITTER



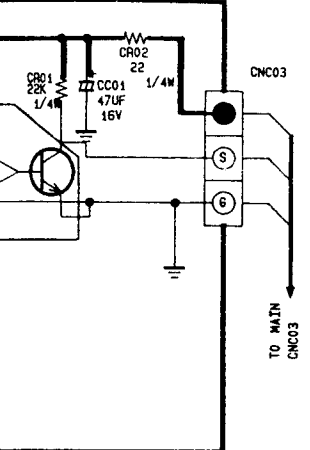
www.rtv-horvat-dj.hr

OPTION

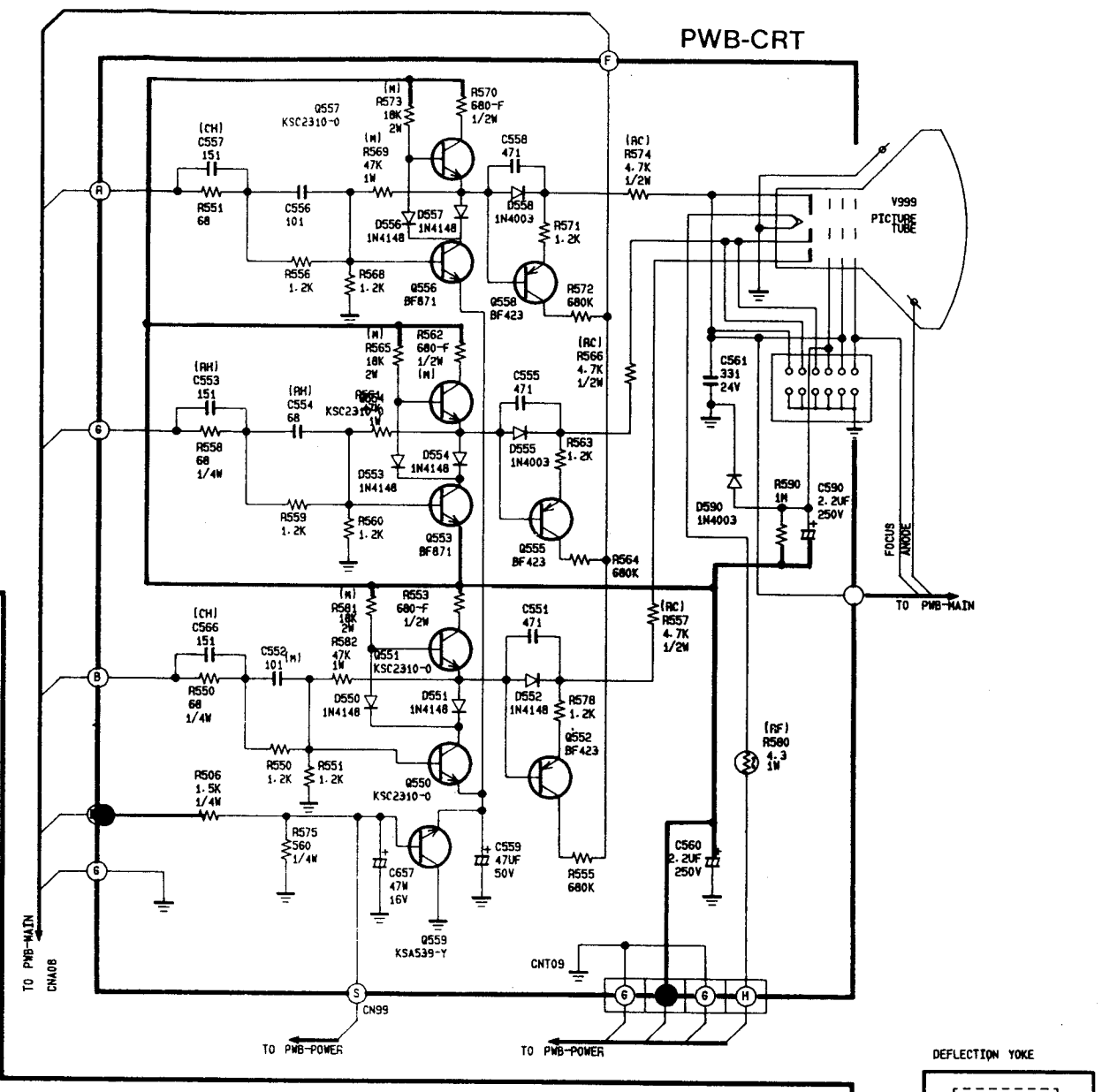
OPTION	TOSHIBA CRT	PHILIPS CRT
1302	1/2W 330	1/2W 560
1305	1/8W 47K	1/8W 43K
1308	1/8W 3K	1/8W 3.6K
1312	JUMPER	1/8W 220
1309	1/2W 2	1/2W 1
1320	1/2W 0.68	1/2W 1
1321	1/4W 510	1/4W 1K
1411	1/2W 110K-F	1/2W 120K-6
1405	62MH	22MH
1311	130K	150K



-CONTROL



PWB-CRT



4

7

8

9

10

11

12

13

14

15

16

17

18

19

20

21

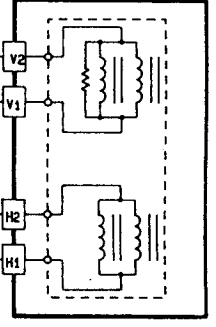
22

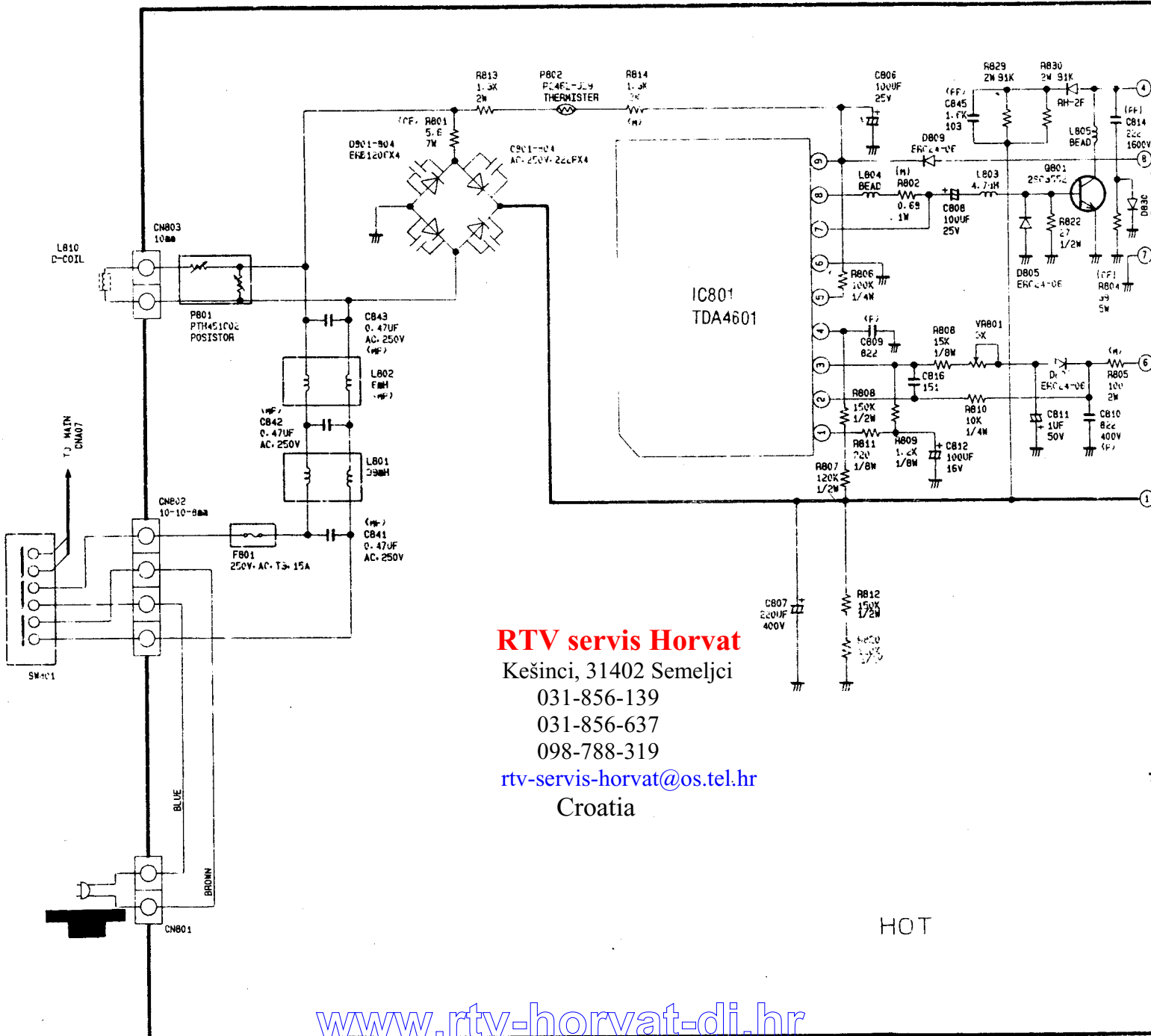
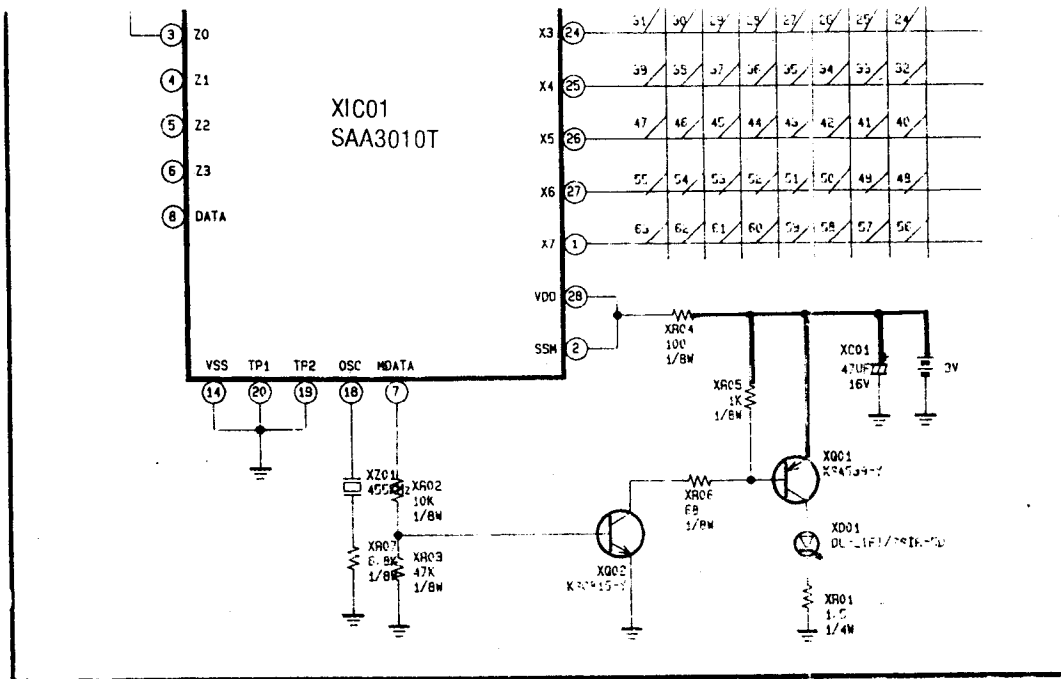
23

24

25

DEFLECTION YOKE





**RTV servis Horvat**

Kešinci, 31402 Semeljci

031-856-139

031-856-637

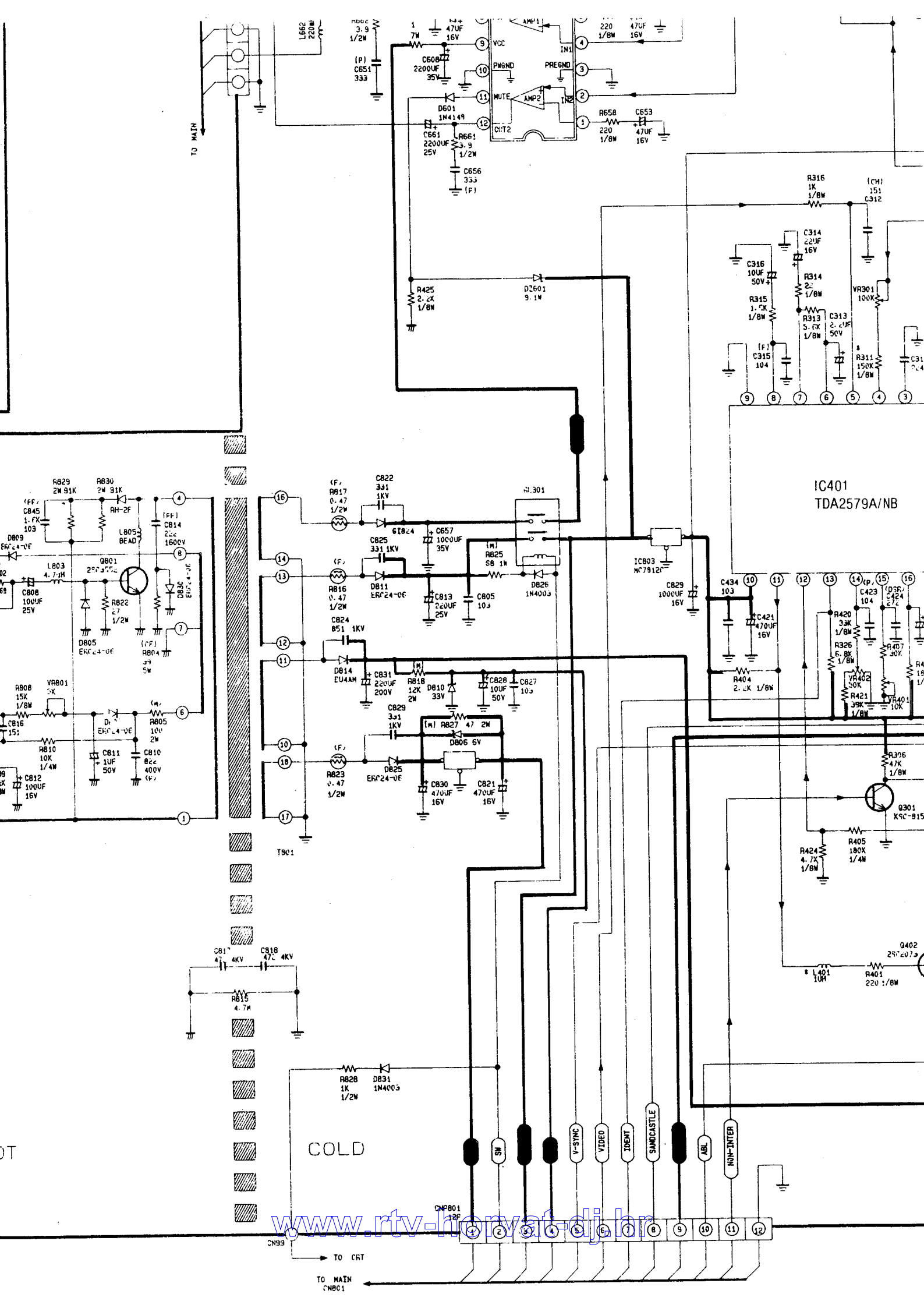
098-788-319

[rtv-servis-horvat@os.tel.hr](mailto:rtv-servis-horvat@os.tel.hr)

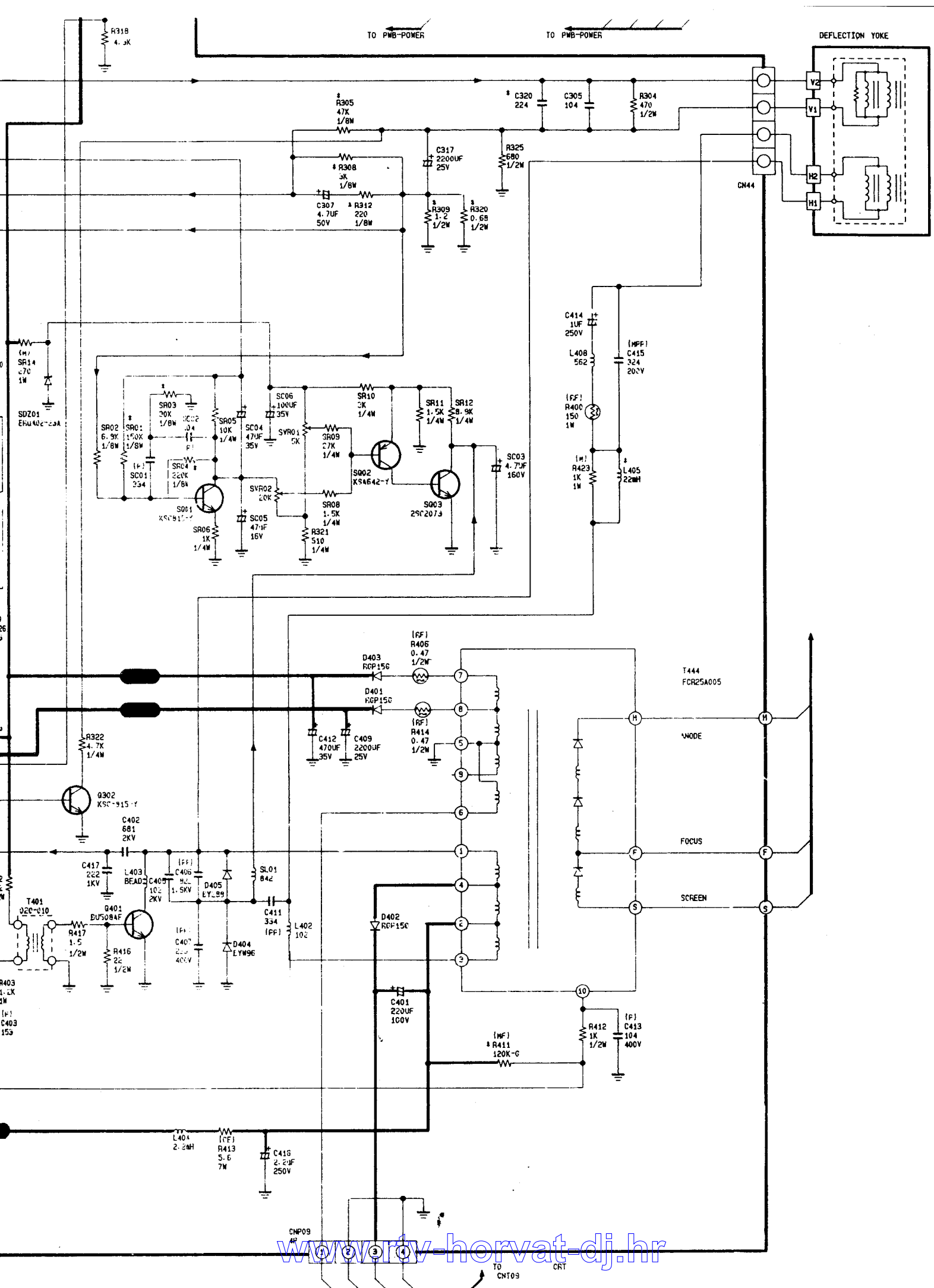
Croatia

HOT

[www.rtv-horvat-dj.hr](http://www.rtv-horvat-dj.hr)



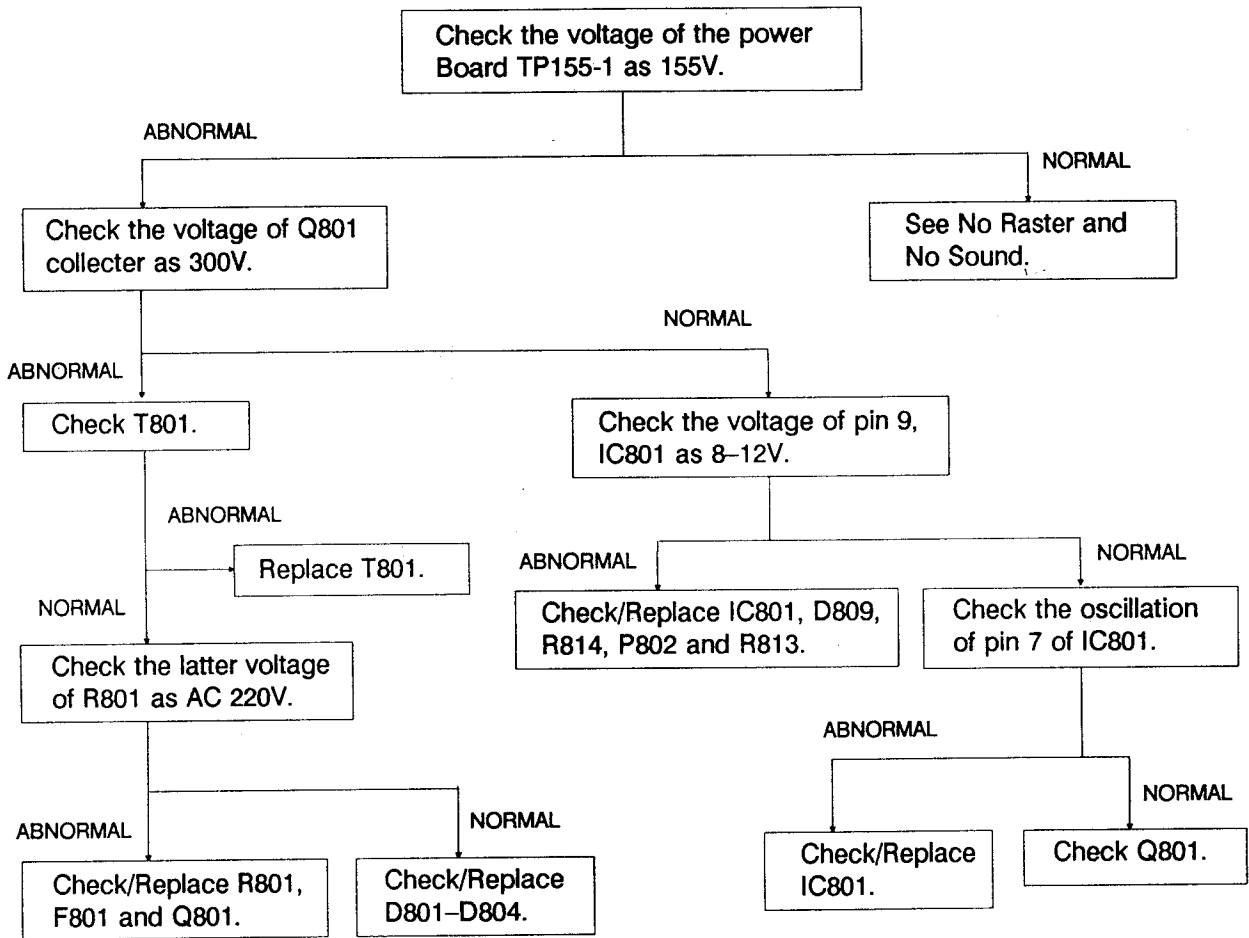




# 14. TROUBLESHOOTING CHARTS

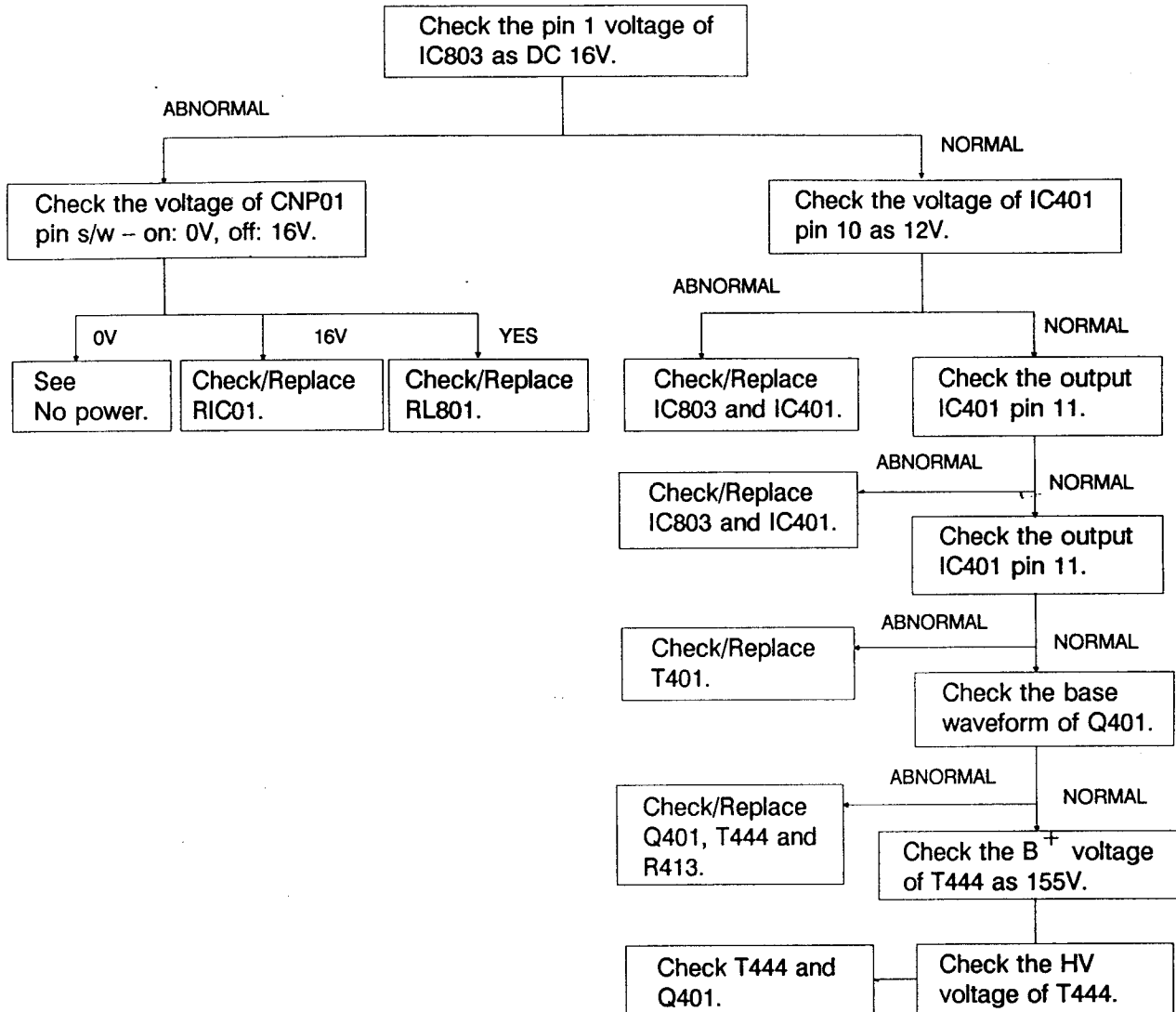
The following charts are devoted to the troubleshooting which, if followed carefully, will assist you in tracking down a fault to the correct stage. In order to utilize the charts (fault trees), first establish the complains, e.g. - No Raster and No Sound, etc. Locate the chart applicable and them, progress through the various alternatives until a final block indicates the defective components or stages.

## 1. NO POWER

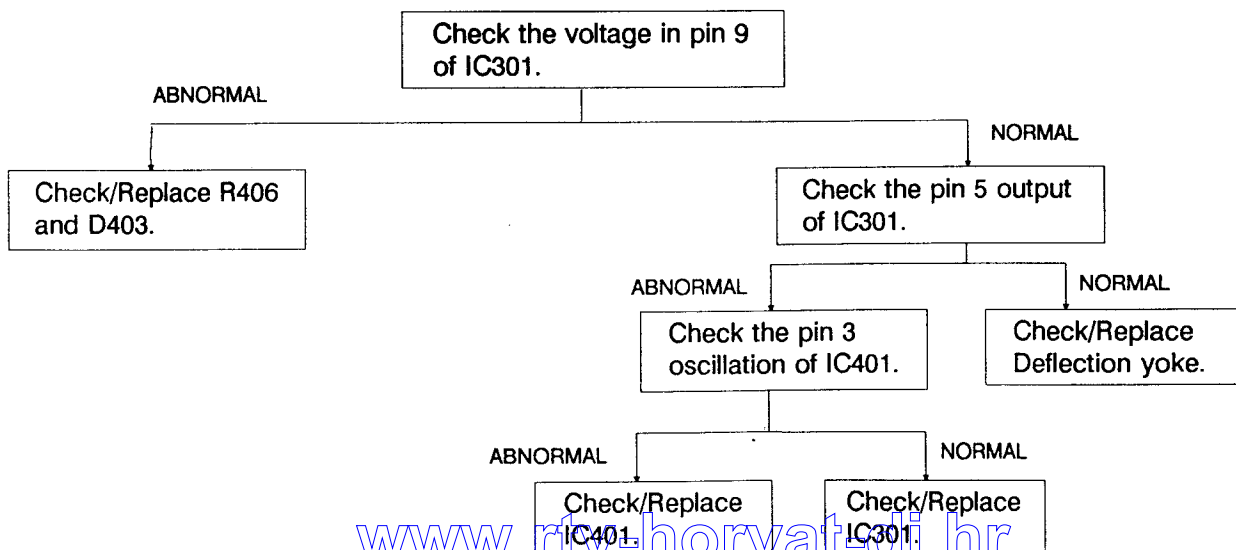




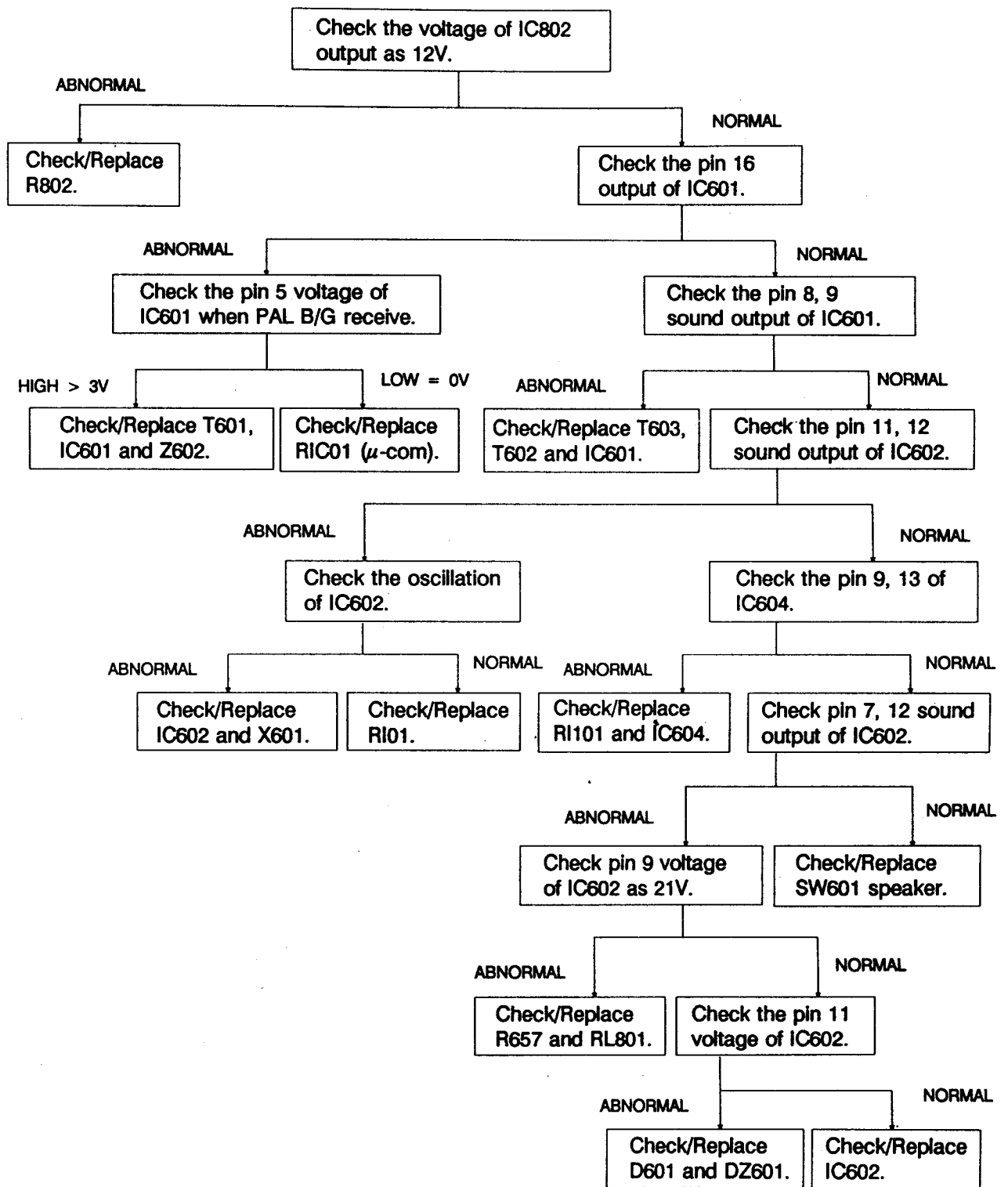
## 2. NO RASTER AND NO SOUND



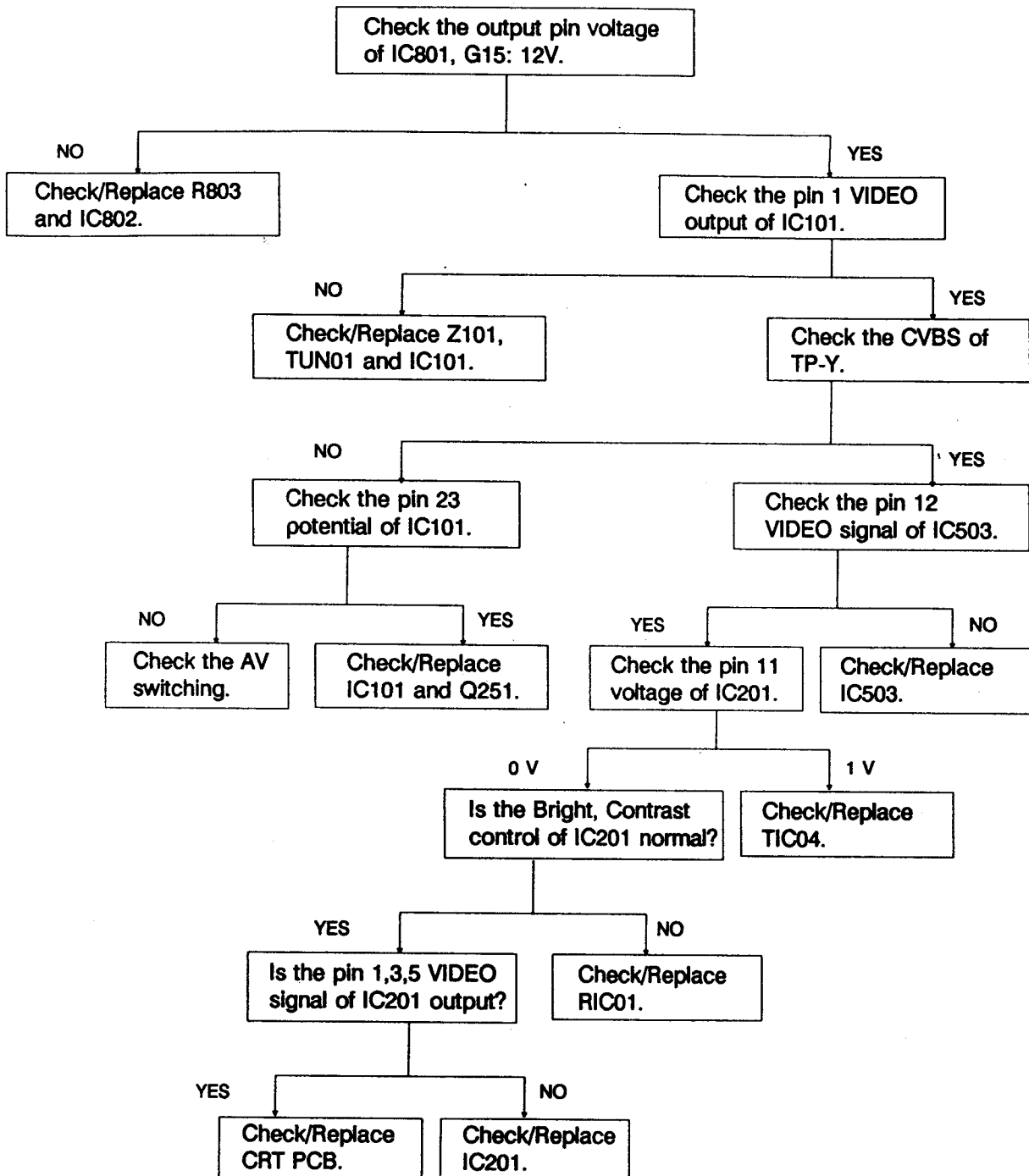
## 3. NO VERTICAL SCAN (ONE HORIZ. LINE RASTERY)



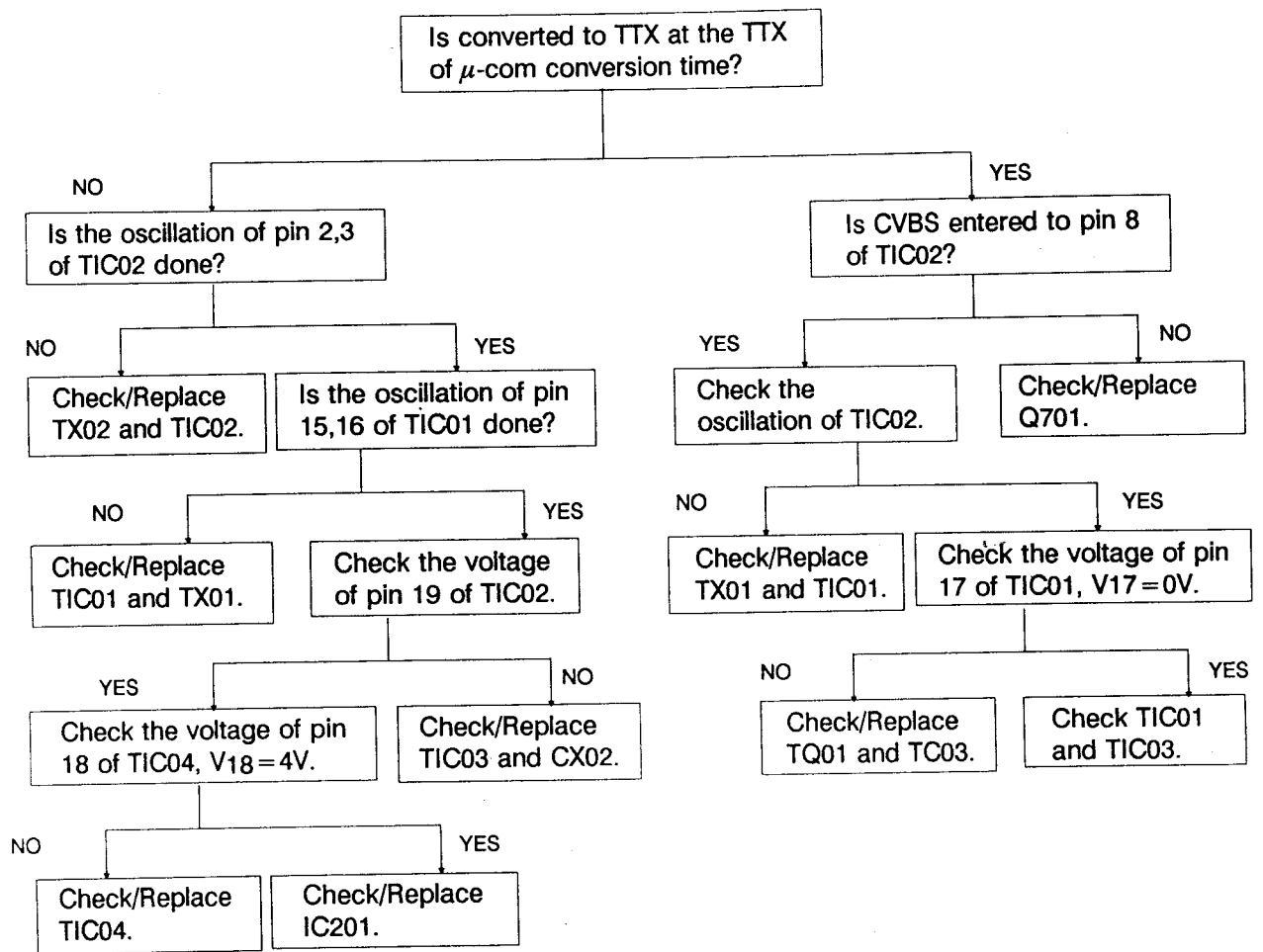
#### 4. NO SOUND (PICTURE ON)



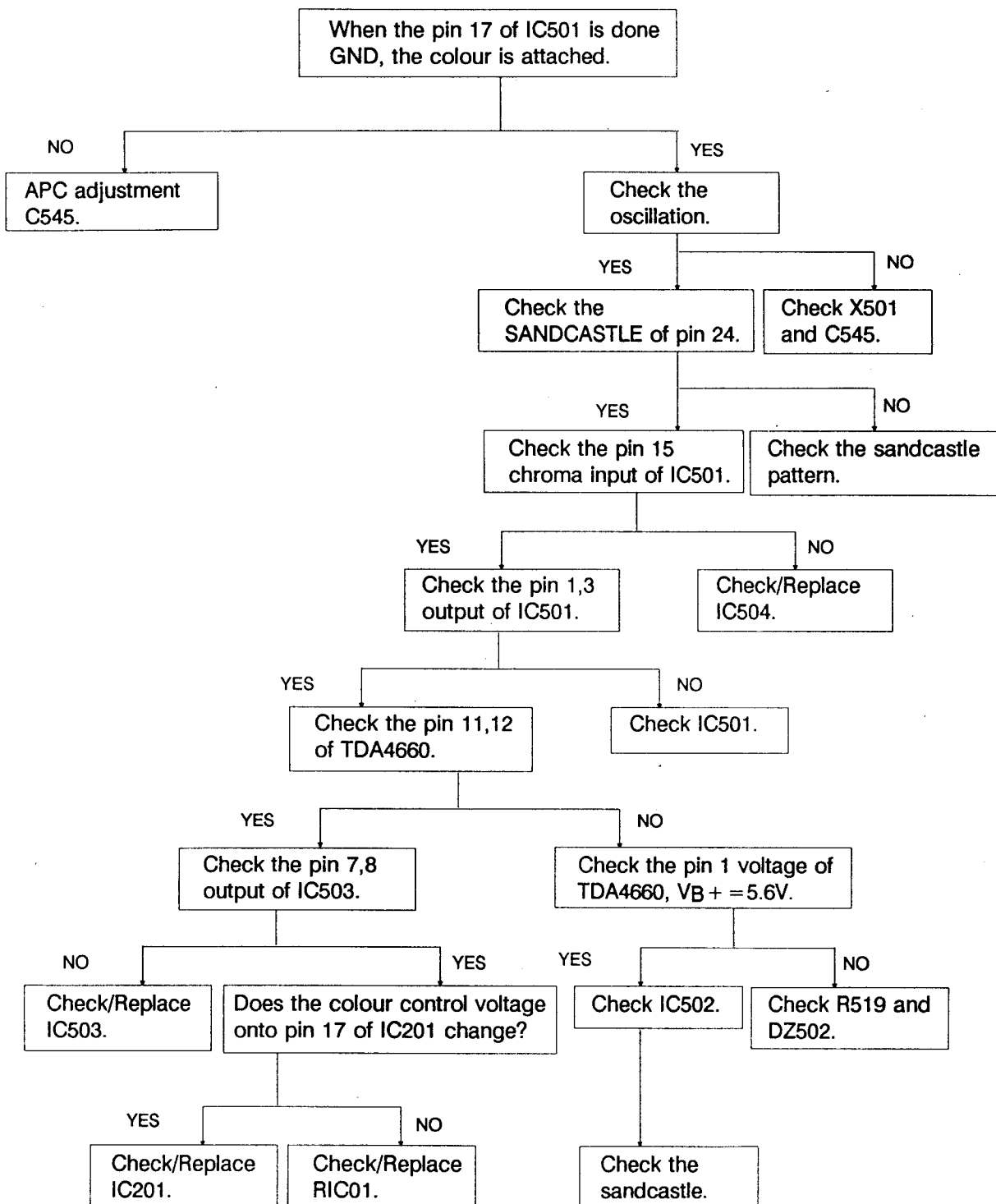
## 5. NO PICTURE (NO SOUND)



## 6. NO TTX ( THE TV OPERATING IS O.K)



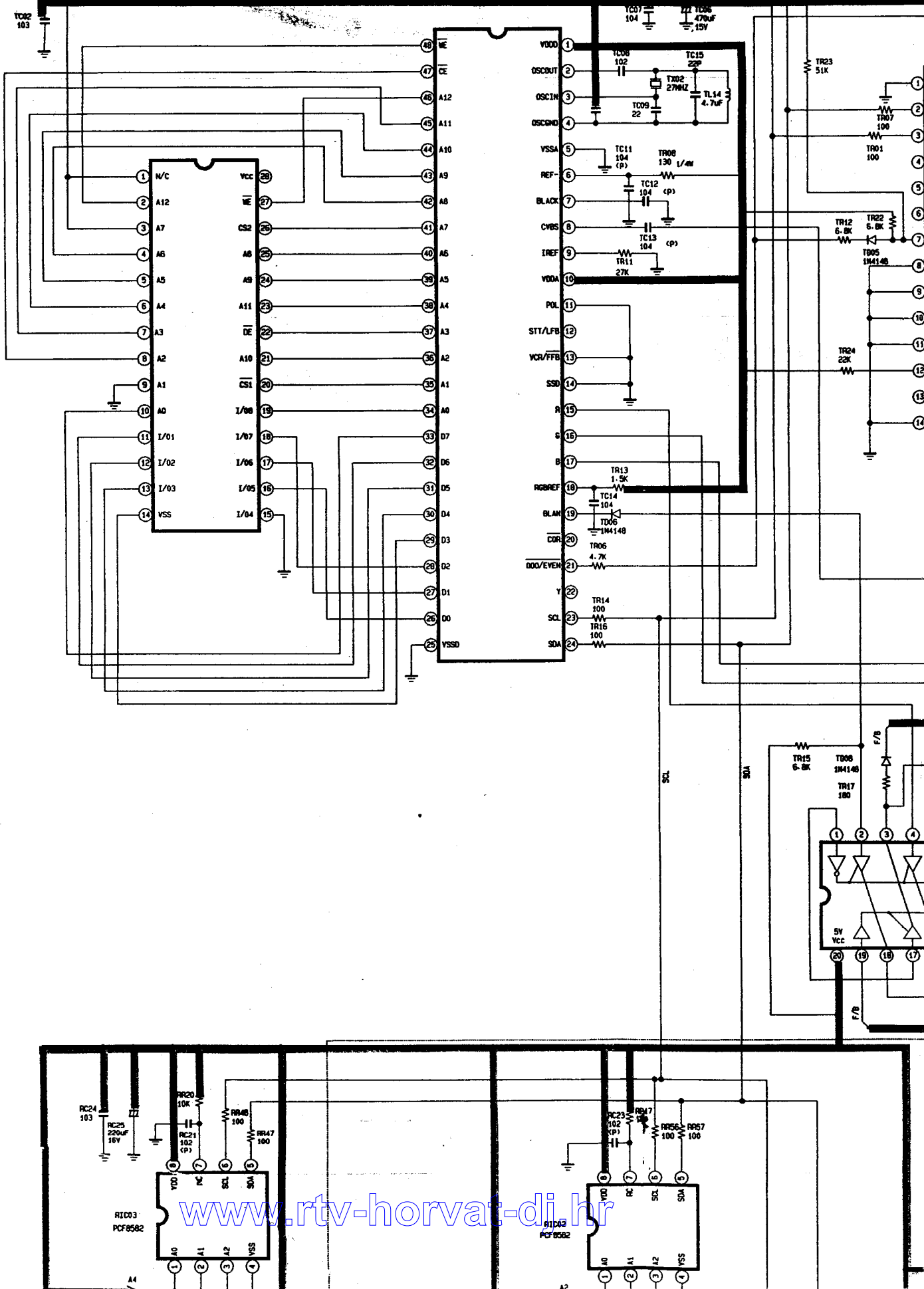
## 7. NO COLOR

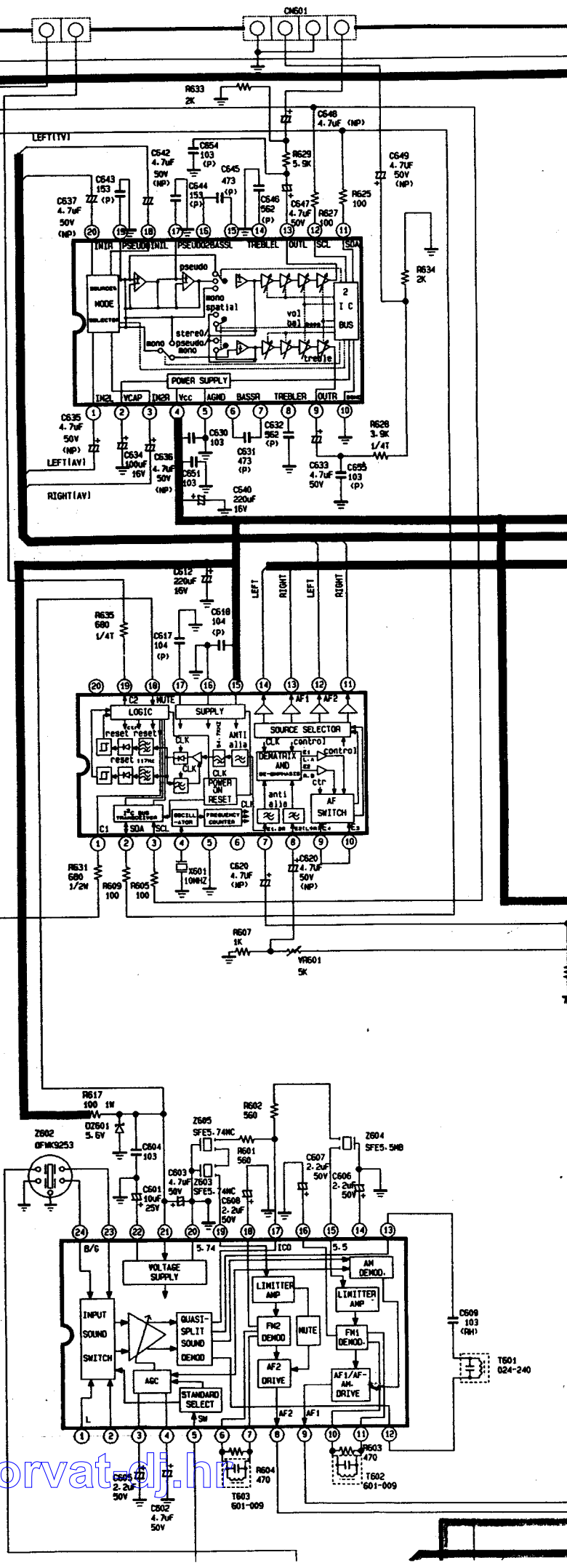
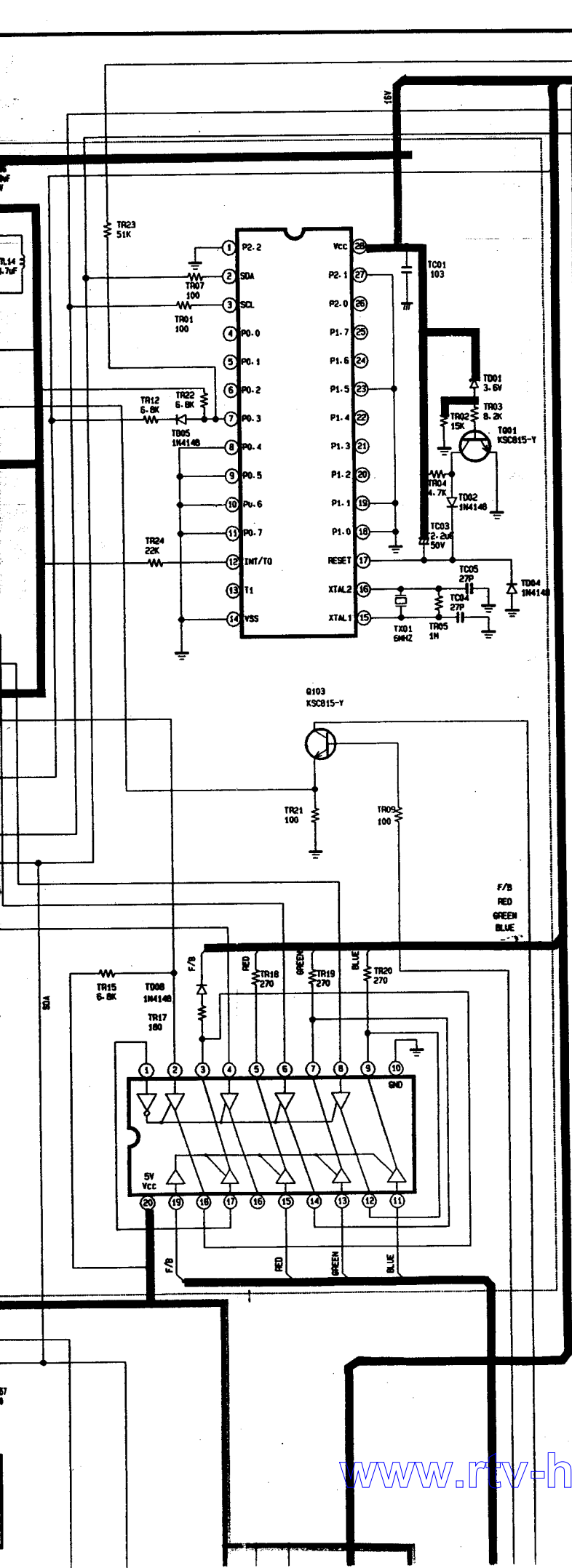


# SCHEMATIC DIAGRAM

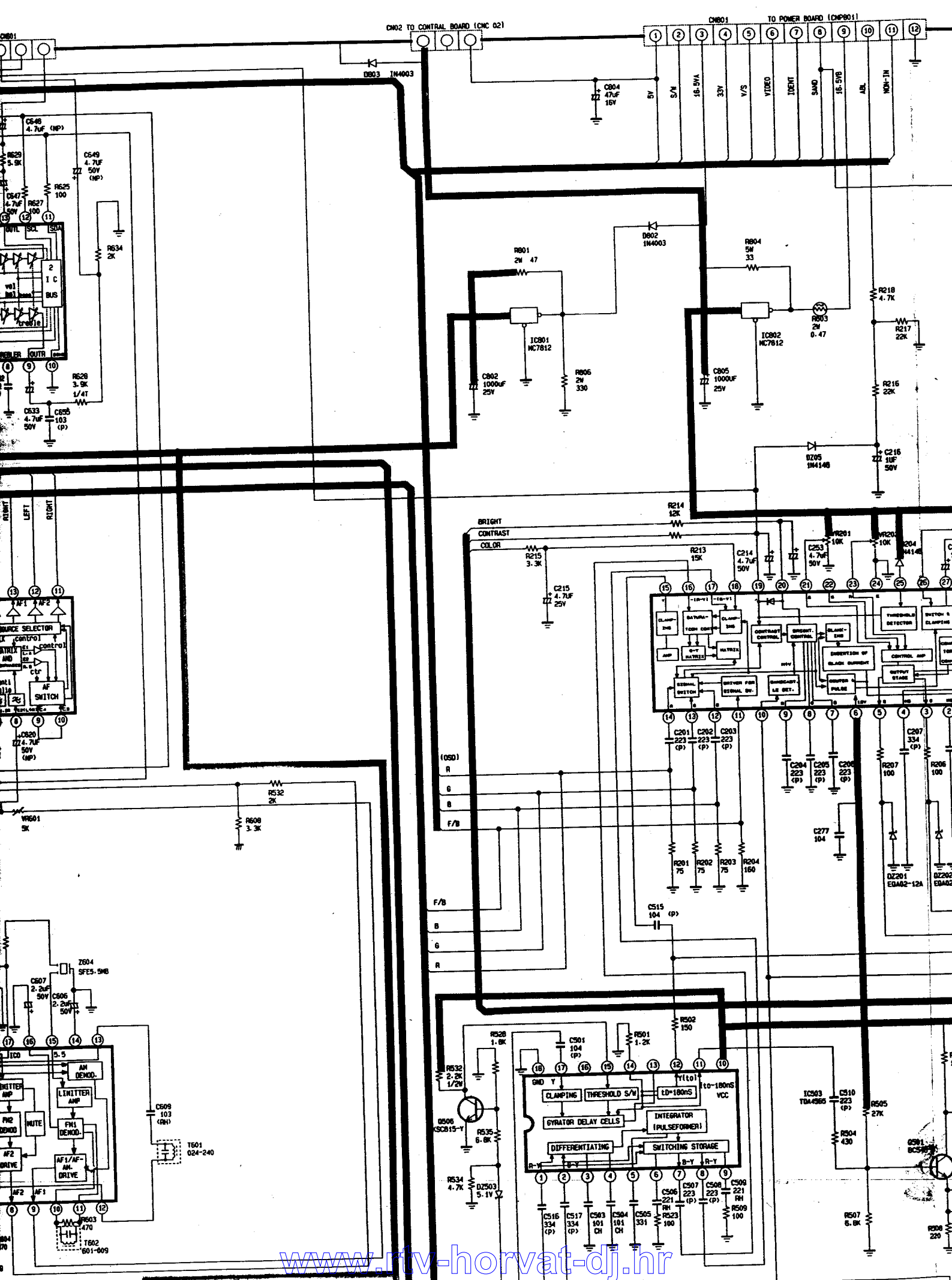
CHASSIS:S60MT

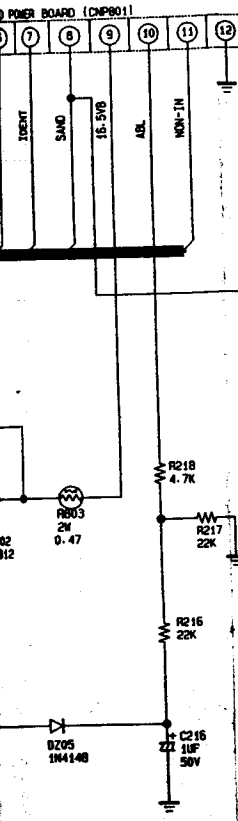
MODEL: CX6226W











## RTV servis Horvat

Kešinci, 31402 Semeljci

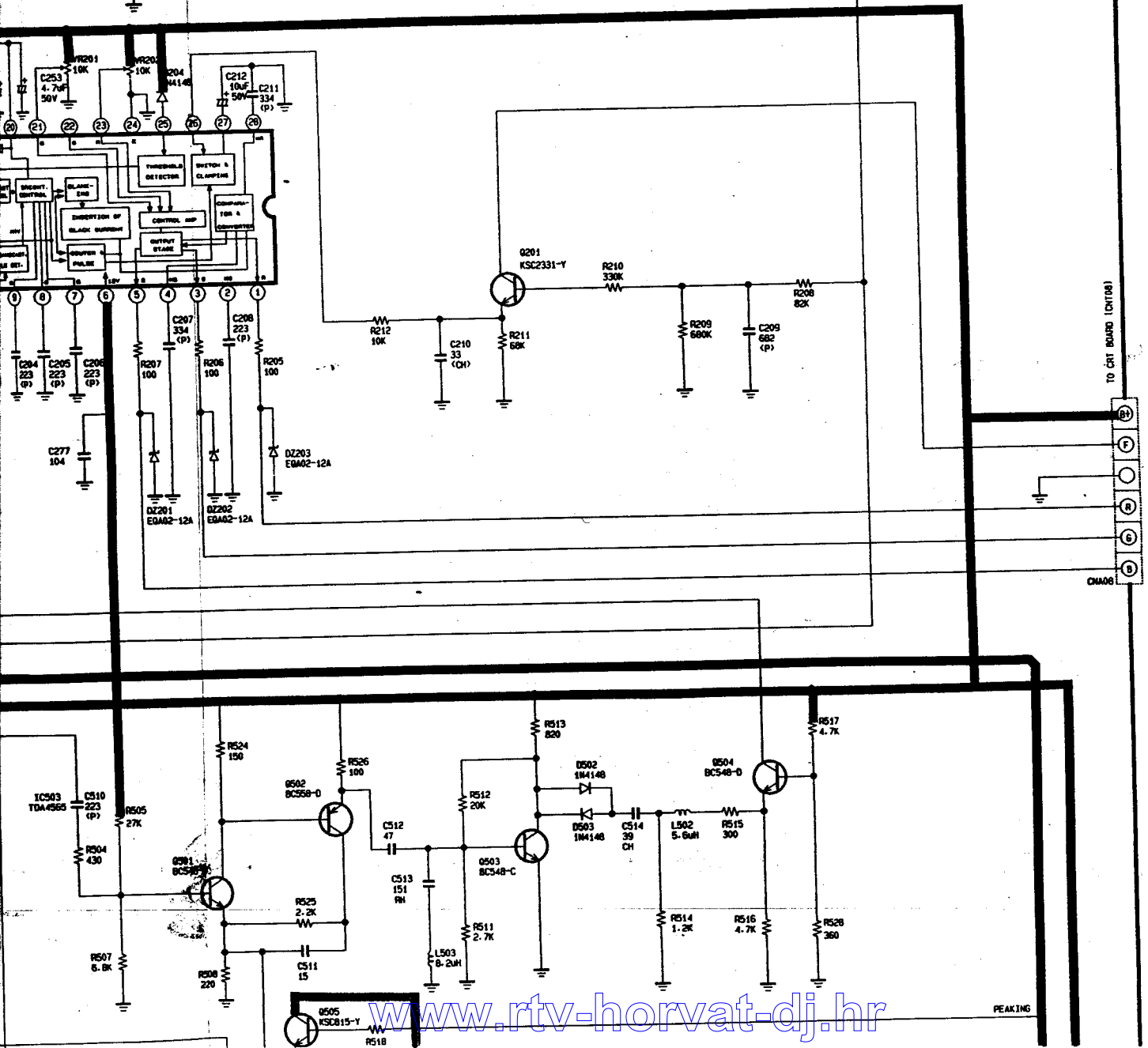
031-856-139

031-856-637

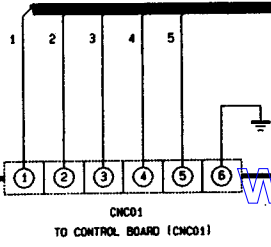
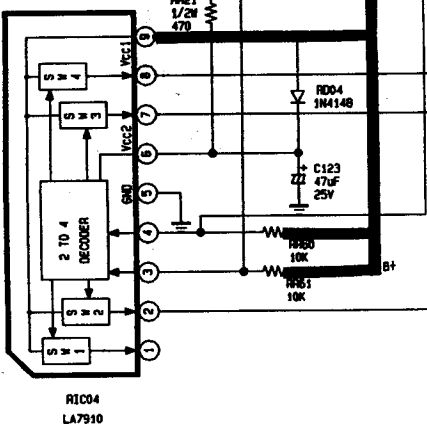
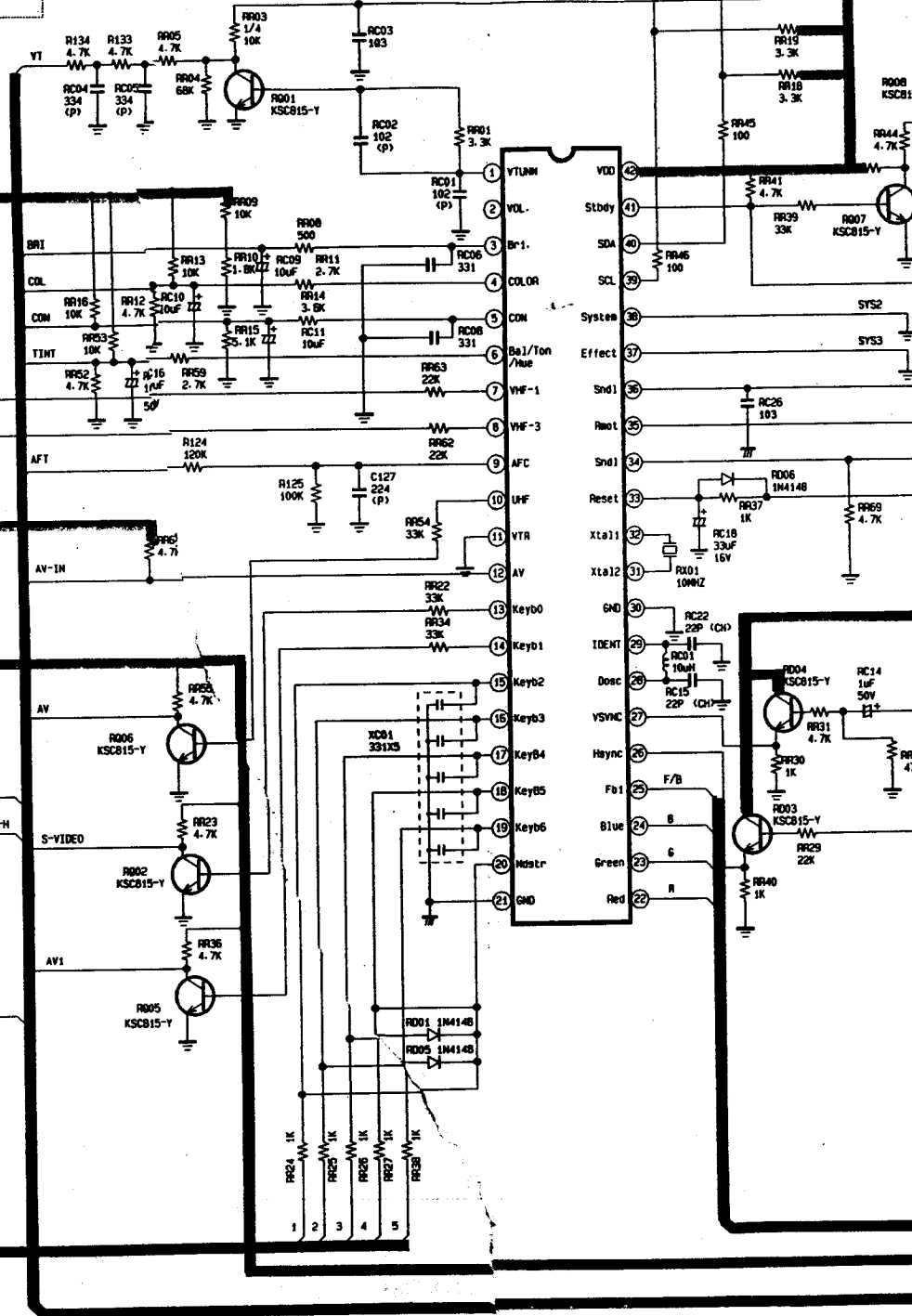
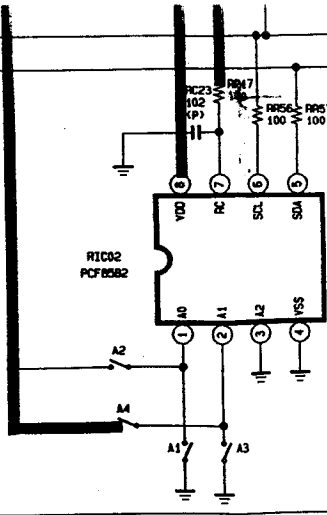
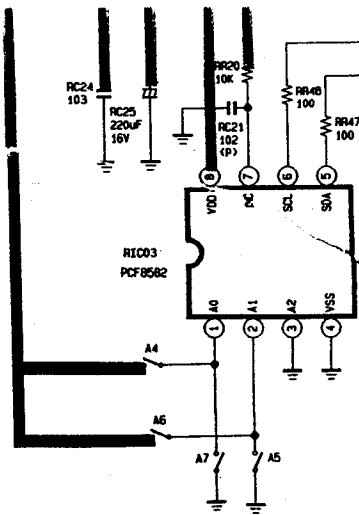
098-788-319

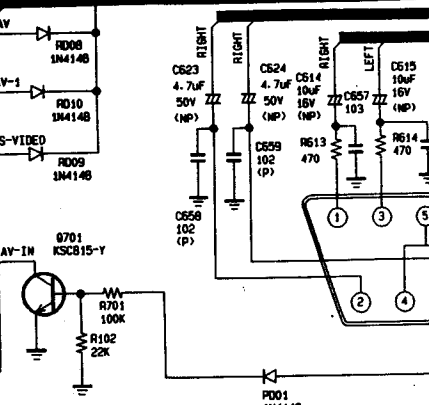
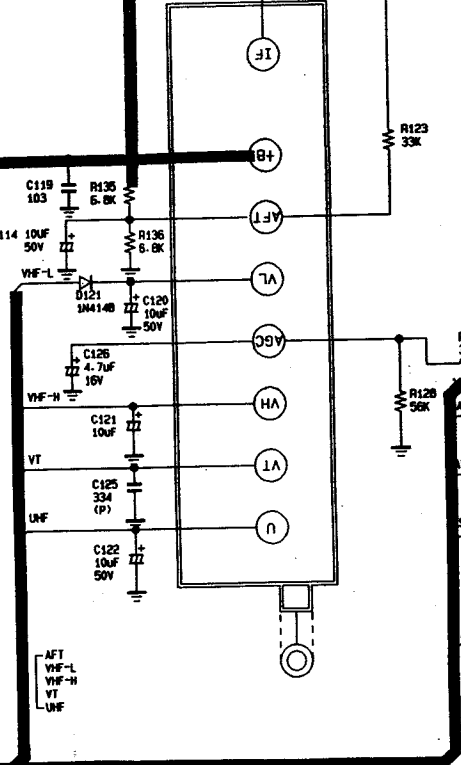
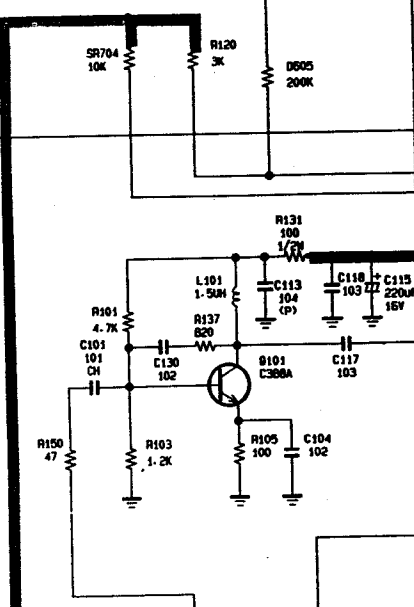
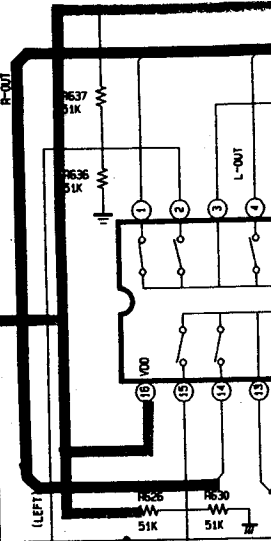
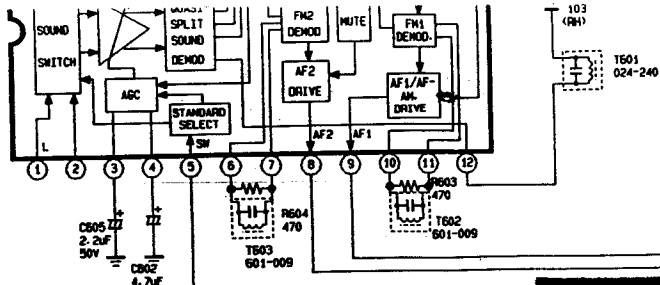
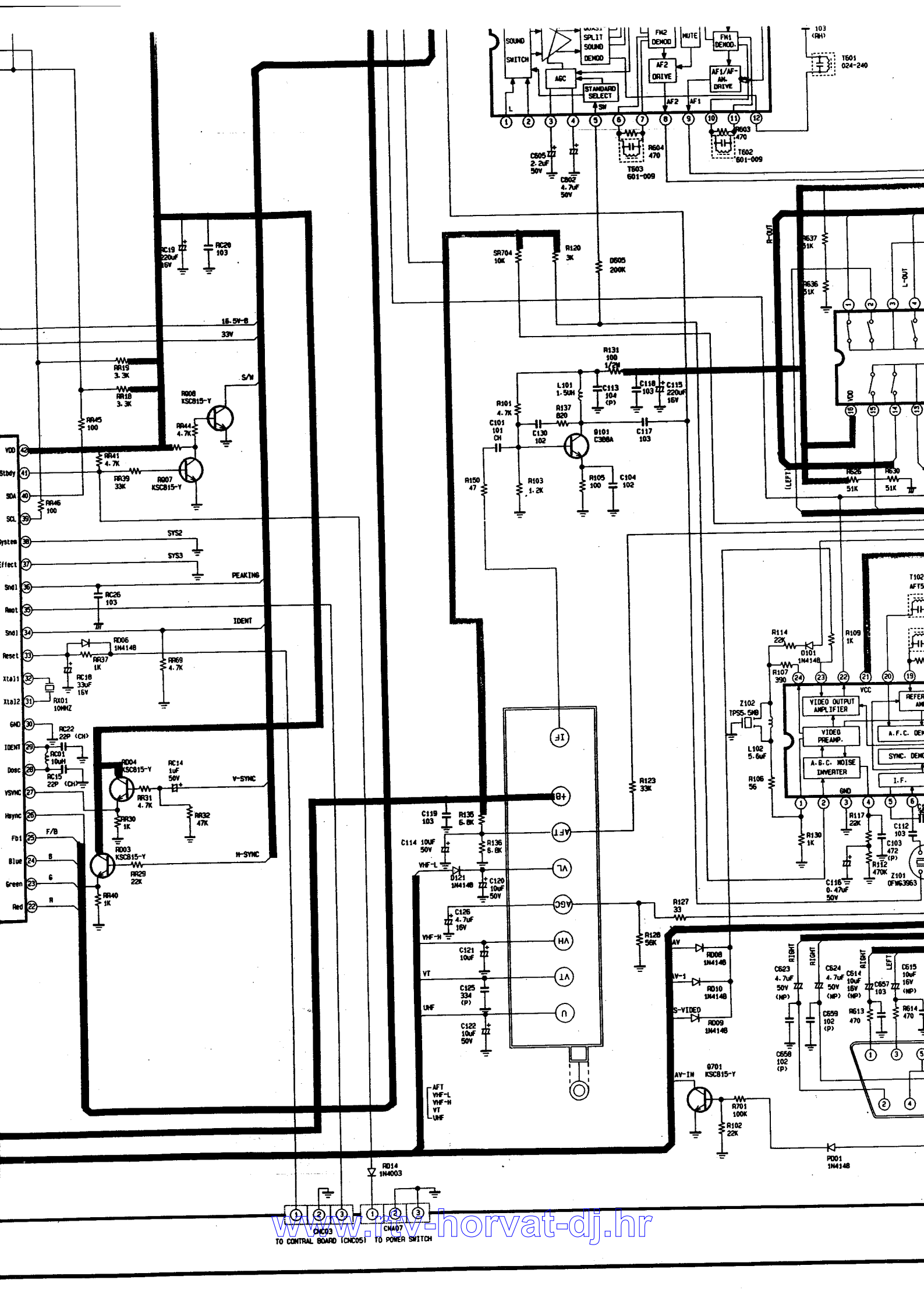
[rtv-servis-horvat@os.tel.hr](mailto:rtv-servis-horvat@os.tel.hr)

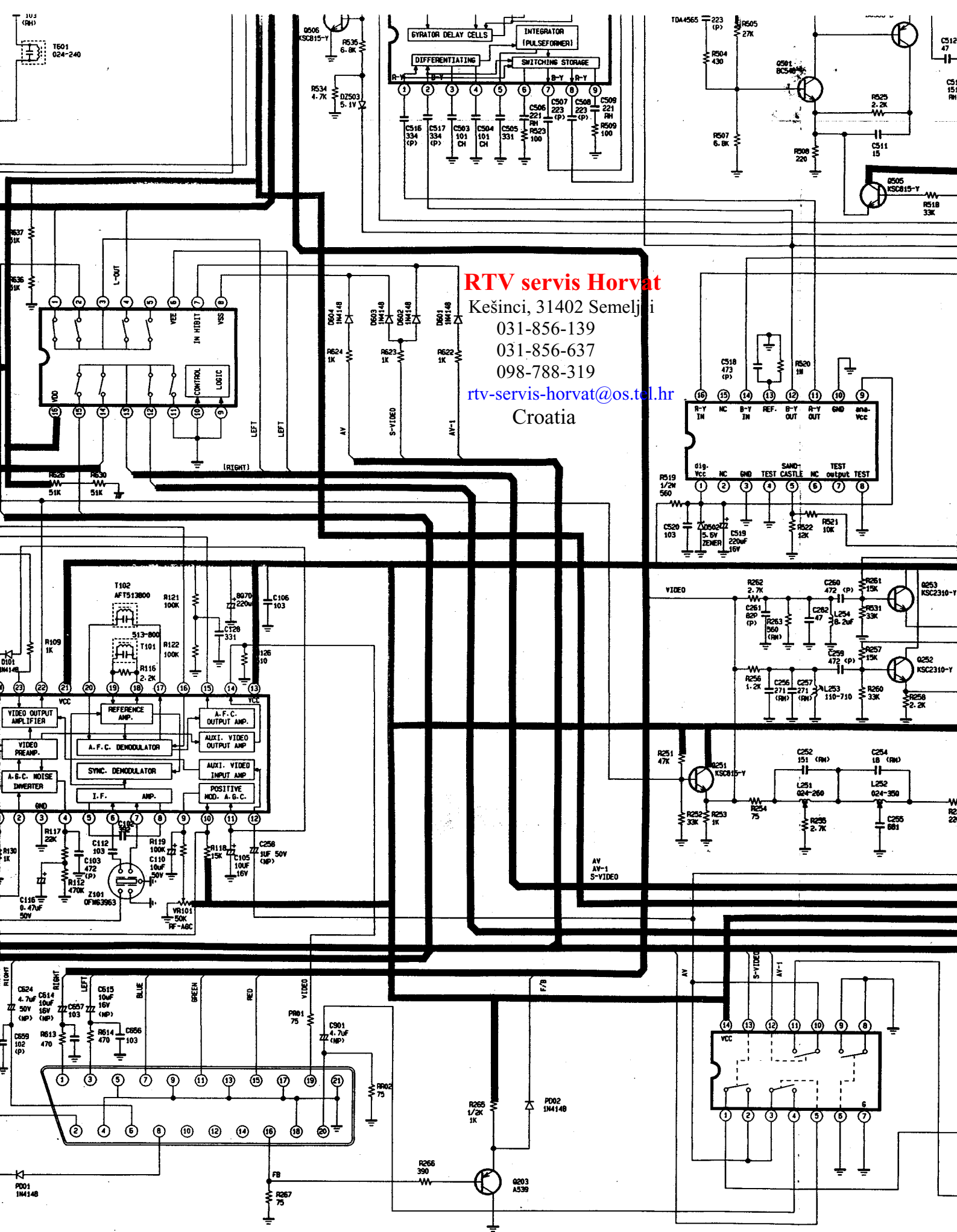
Croatia



PEAKING



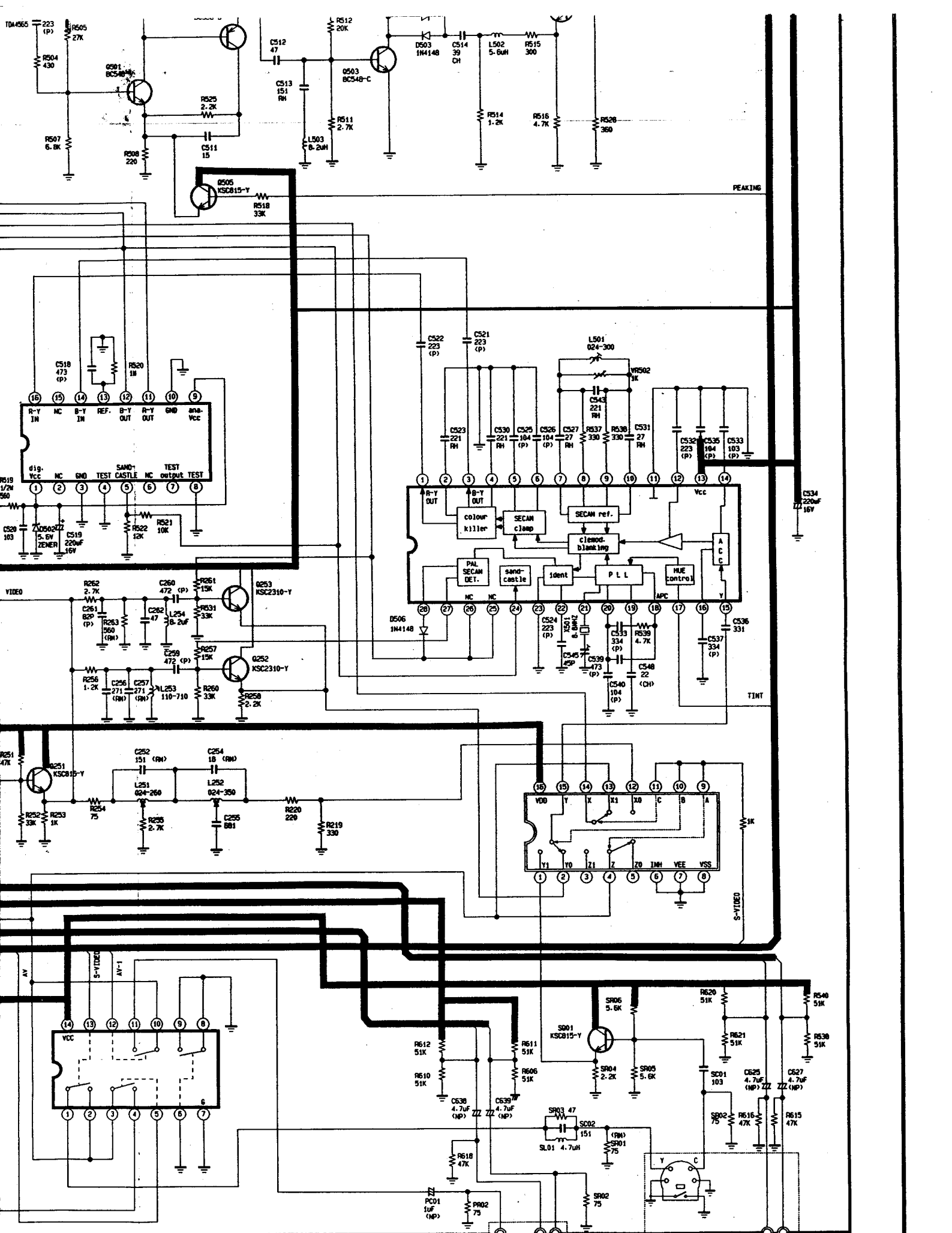




**RTV servis Horvat**  
 Kešinci, 31402 Semeljci  
 031-856-139  
 031-856-637  
 098-788-319  
[rtv-servis-horvat@os.tel.hr](mailto:rtv-servis-horvat@os.tel.hr)  
 Croatia

FILE NAME : CK5913Z/M

JOB-NO	TEAM	NODE	DR
91-	P. D1	P2S	K



FILE NAME : CK5913Z/MAIN

JOB-NO	TEAM	NODE	DESIGN	DPE	EDIT
91-	P. D1	P2S	K. P. C.		

VIDEO INPUT

SJ01 S-VIDEO INPUT

R L AUDIO R-L