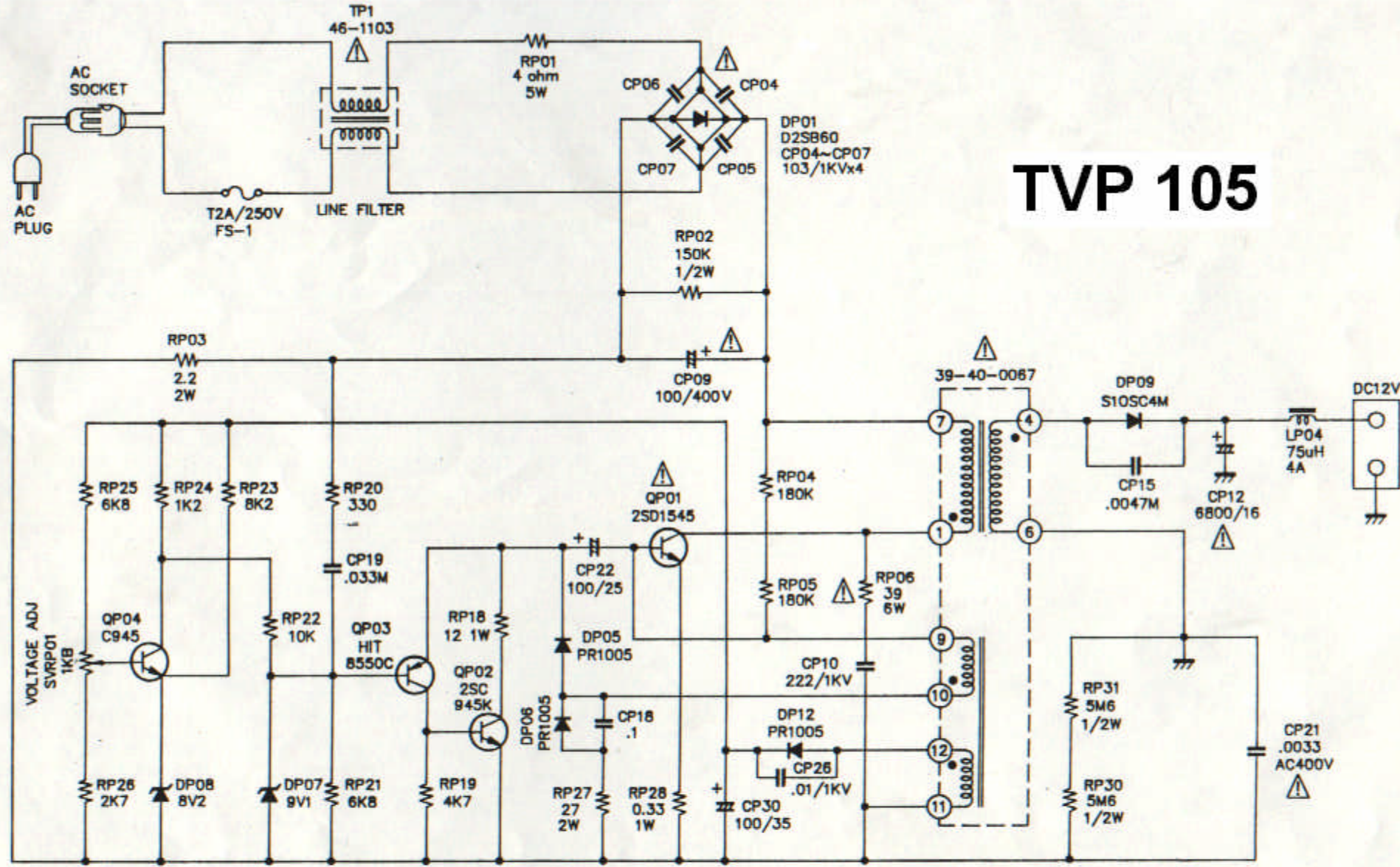


SUBFIX	MOD RECORD	TVP 105 - PRINCIPAL			
AA	1994/11/26	TITLE: CT-V-315 PAL/NTSC SCHEMATIC DIAGRAM			
AB	1994/12/27	DRAWN	CHECK	APPROVED	DRAWING NO.
AC					35-GI-1522
AD					REV 1
AE					REV 1

# TVP 105



## TV COLOR 10" MODELO TVP 105

AA	1994/11/30
AB	
AC	
AD	
AE	

TITLE: FONTE DE ALIMENTAÇÃO				
DRAWN	DESIGN	APPROVED	DRAWING NO	REV
曾美華	鴻	鴻	05-G1-1922	0
				SH4